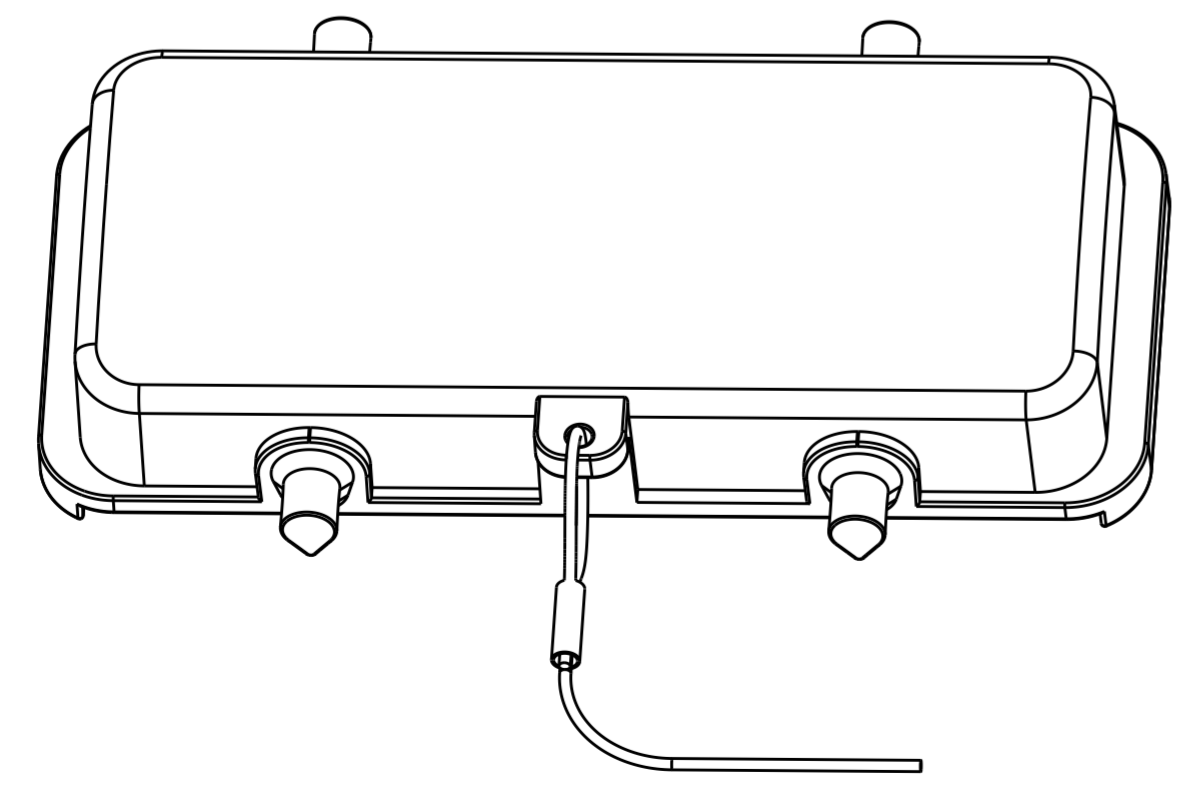
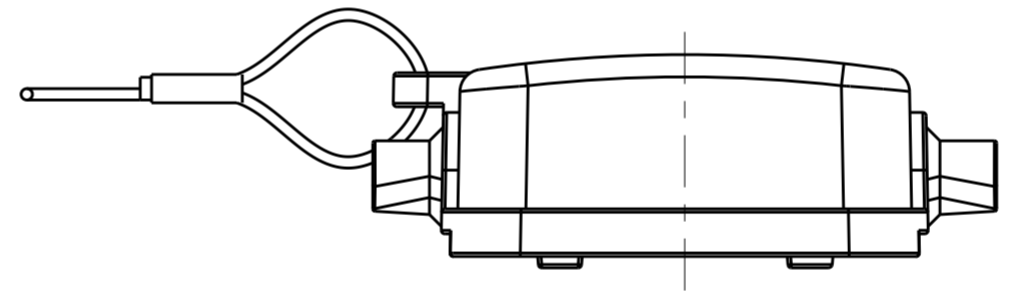
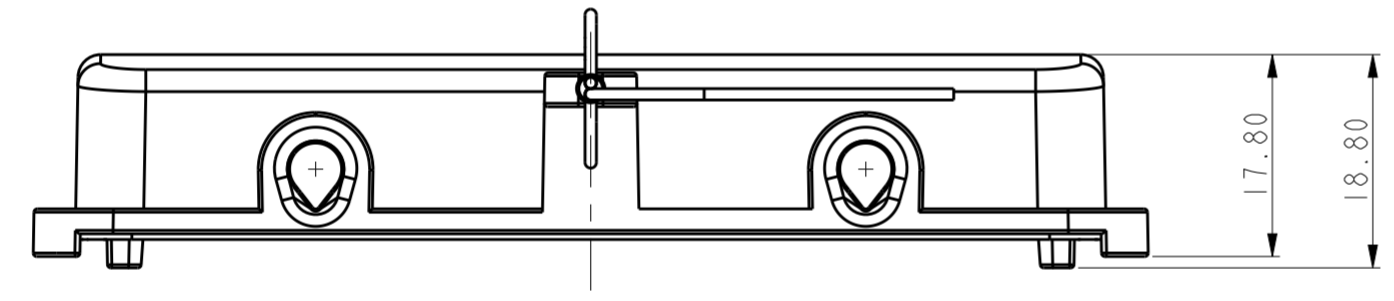
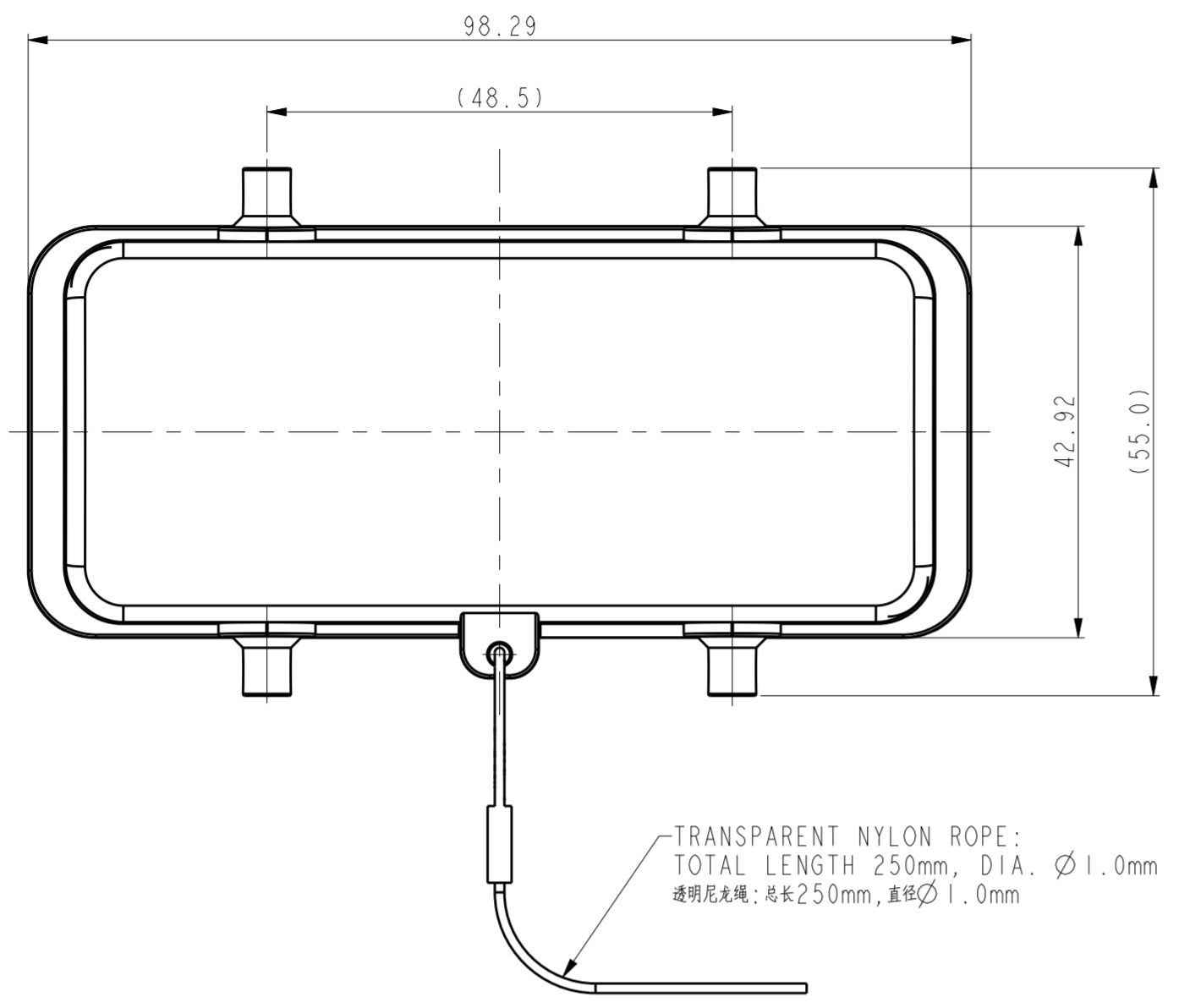


THIS DRAWING IS UNPUBLISHED. RELEASED FOR PUBLICATION
 © COPYRIGHT copyright.d8Te- ALL RIGHTS RESERVED.


REVISIONS					
P	LTR	DESCRIPTION	DATE	DWN	APVD
	A	INITIAL	06SEP2017	CH	CW



NOTES:
 1. TECHNICAL CHARACTERISTICS:
 COVER MATERIAL: DIE CAST ALUMINIUM ALLOY
 COVER SURFACE: SEE TABLE

注释:
 1. 技术参数:
 壳体材料: 铝合金
 表面处理: 见表格

T1000161122-300	H16B-KDBM-DG	H16B, HOUSING METAL PROTECTION COVER, 4 EAR, WITHOUT SEALING, NYLON ROPE, POWDER COATED INSIDE AND OUTSIDE, GREY, ABB H16B下壳金属保护盖, 4耳, 不带密封, 尼龙绳, 灰色粉末喷涂, ABB
T1000161122-200	H16B-KDBM-G	H16B, HOUSING METAL PROTECTION COVER, 4 EAR, WITHOUT SEALING, NYLON ROPE, POWDER COATED, GREY H16B下壳金属保护盖, 4耳, 不带密封, 尼龙绳, 灰色粉末喷涂
T1000161122-100	H16B-KDBM-CW	H16B, HOUSING METAL PROTECTION COVER, 4 EAR, WITHOUT SEALING, NYLON ROPE, STOVING VARNISH, MILK WHITE H16B下壳金属保护盖, 4耳, 不带密封, 尼龙绳, 乳白色汽车喷漆
T1000161122-000	H16B-KDBM-DW	H16B, HOUSING METAL PROTECTION COVER, 4 EAR, WITHOUT SEALING, NYLON ROPE, POWDER COATED INSIDE AND OUTSIDE, SILVER WHITE, ABB H16B下壳金属保护盖, 4耳, 不带密封, 尼龙绳, 银白色粉末里外喷涂, ABB
PART NUMBER 料号	PART DESCRIPTION 描述	

THIS DRAWING IS A CONTROLLED DOCUMENT.		DWN CHARLIE HU 06SEP2017	 TE Connectivity															
DIMENSIONS: mm		CHK GINO YAO 06SEP2017																
TOLERANCES UNLESS OTHERWISE SPECIFIED:		APVD CHRIS WANG 06SEP2017	NAME H16B-KDBM-DW/-CW/-G/-DG															
<table border="1"> <tr><td>0 PLC</td><td>±</td></tr> <tr><td>1 PLC</td><td>±</td></tr> <tr><td>2 PLC</td><td>±</td></tr> <tr><td>3 PLC</td><td>±</td></tr> <tr><td>4 PLC</td><td>±</td></tr> <tr><td>ANGLES</td><td>±</td></tr> <tr><td>FINISH</td><td>±</td></tr> </table>		0 PLC	±	1 PLC	±	2 PLC	±	3 PLC	±	4 PLC	±	ANGLES	±	FINISH	±	PRODUCT SPEC -	SIZE A2	CAGE CODE -
0 PLC	±																	
1 PLC	±																	
2 PLC	±																	
3 PLC	±																	
4 PLC	±																	
ANGLES	±																	
FINISH	±																	
MATERIAL -		APPLICATION SPEC -	DRAWING NO. G-T1000161122X00	RESTRICTED TO -														
-		WEIGHT -	SCALE 3:2	SHEET 1 OF 1														
-		CUSTOMER DRAWING	REV A															