

THIS DRAWING IS UNPUBLISHED.

RELEASED FOR PUBLICATION

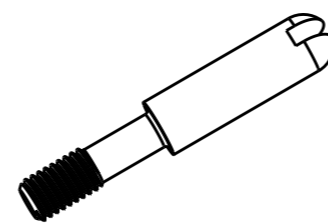
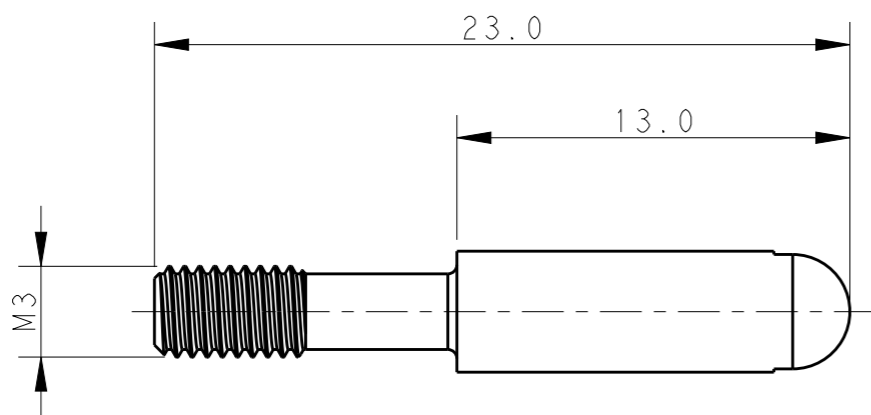
20

© COPYRIGHT 20 BY -

ALL RIGHTS RESERVED.

REVISIONS

P	LTR	DESCRIPTION	DATE	DWN	APVD
	A	INITIAL	19JUN2015	DW	CW



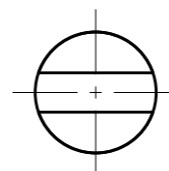
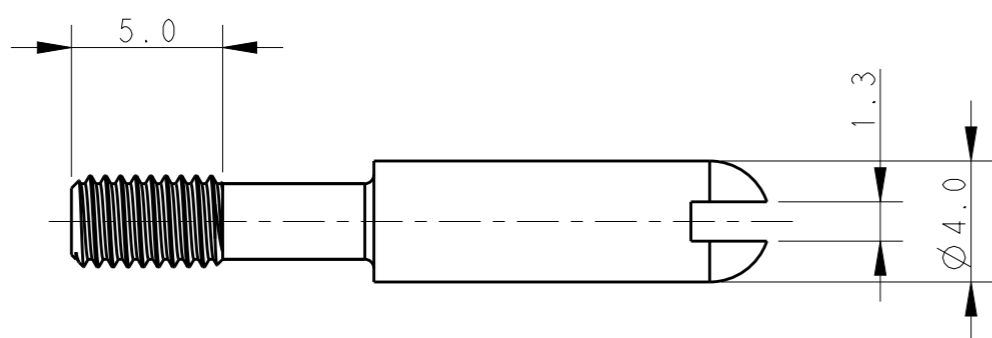
SCALE 2:1

NOTES:

- 1. TECHNICAL CHARACTERISTICS:
CODING PIN MATERIAL: STAINLESS STEEL

注释:

- 1. 技术参数:
编码销材料: 不锈钢



CODING-PIN-M3-STM	T0932000423-000
DESCRIPTION	PART NUMBER



TE Connectivity

THIS DRAWING IS A CONTROLLED DOCUMENT.

DIMENSIONS: mm	TOLERANCES UNLESS OTHERWISE SPECIFIED:
	0 PLC ±-
	1 PLC ±-
	2 PLC ±-
	3 PLC ±-
	4 PLC ±-
	ANGLES ±-
MATERIAL	FINISH
-	-
-	-

DWN	19JUN2015
DAVID WANG	
CHK	19JUN2015
CHRIS WANG	
APVD	19JUN2015
XU XIANG	
PRODUCT SPEC	-
APPLICATION SPEC	-
WEIGHT	-
Customer Drawing	

NAME		CODING-PIN-M3-STM	
SIZE	CAGE CODE	DRAWING NO	RESTRICTED TO
A3	00779	T0932000423000	-
SCALE		SHEET	REV
4:1		1 OF 1	A