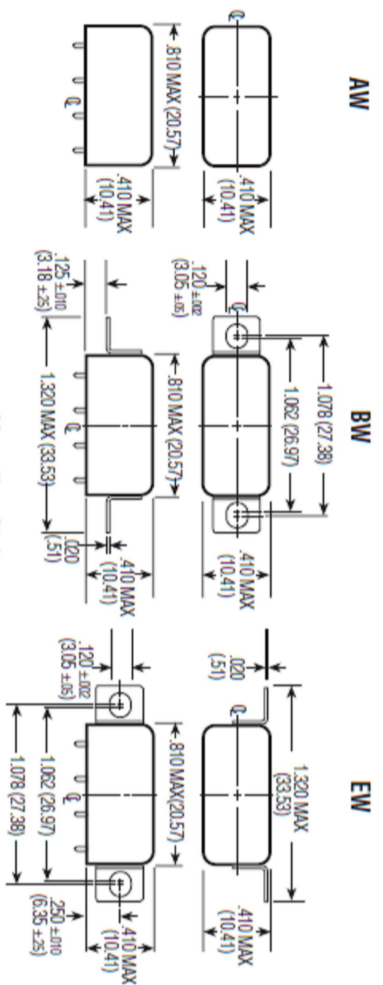
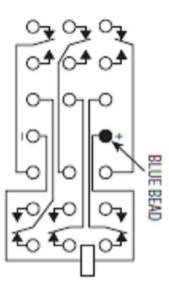


REVISONS		DESCRIPTION	DATE	DWN	APVD
P	LTR				
A		INITIAL DRAWING	03JUL2020	VR	MB

SS
Six Pole Half Size
High Performance Relay
 Designed to
MIL-R-39016



Electrical Characteristics

- Contact Arrangement** — 6-Form C (SPDT)
- Contact Material** — Stationary — Gold plated hardened silver alloy; Movable — Gold plated hardened silver alloy
- Contact Resistance** — Before Life — 50 milliohms max. (measured at 10 mA @ 6 Vdc); After Life — 100 milliohms max. (measured @ 2 A @ 28 Vdc)
- Mechanical Life Expectancy** — 1 million operations min.
- Coil Voltage** — 5 to 26.5 Vdc
- Coil Power** — 2.6 watts max. @ 25°C
- Duty Cycle** — Continuous
- Pick-up Voltage** — Approximately 50% of nominal coil voltage
- Pick-up Sensitivity** — 475 mW

Contact Ratings

Contact Load	Type	Operations Min.
2 A @ 28 Vdc	Resistive	100,000
0.3 A @ 115 Vac, 60 Hz & 400 Hz	Resistive	100,000
0.75 A @ 28 Vdc	Inductive (200mH)	100,000
0.1 A @ 28 Vdc	Intermediate Lamp	50,000
0.2 A @ 28 Vdc	Lamp	100,000
10 µA @ 50 mV	Low Level	1,000,000

Product Facts

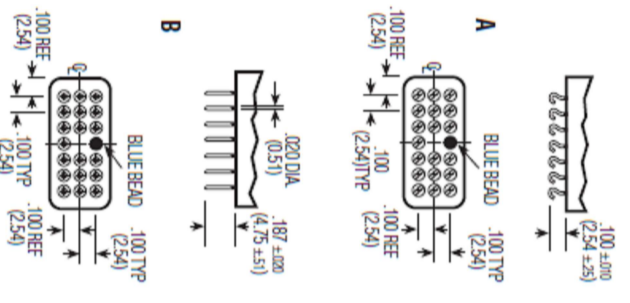
- Hermetically sealed
- Up to 2 amps switching
- High shock & vibration ratings
- Optional terminals & mounting styles
- 6 form C HI-density design

Operating Characteristics

- Timing** — Operate Time — 5.0 ms max.; Release Time — 5.0 ms max.
- Contact Bounce** — 5.0 ms max
- Dielectric Withstanding Voltage** — Between Open Contacts — 350 Vrms 60 Hz; Between Adjacent Contacts — 500 Vrms 60 Hz; Between Contacts & Coil — 500 Vrms 60 Hz
- Insulation Resistance** — 1,000 megohms min. @ 500 Vdc

Environmental Characteristics

- Temperature Range** — -65°C to +125°C
- Weight** — 0.28 oz. (7.8 grams)
- Vibration Resistance** — 15 G's, 10 to 2,000 Hz
- Shock Resistance** — 100 G's, 6 ±1 ms
- OPL Equivalent** — MIL-R-39016



ALL DIMENSIONS ARE IN INCHES(MM)

Standard Coil Data

Nom. Coil Voltage (Vdc)	Resistance In Ohms ±10% @ 25°C	Coil Resistance ±10% @ 25°C	Pickup Voltage (Max.) @ 25°C	Pickup Voltage (Max.) @ 125°C	Drop-out Voltage (Milli.) @ 25°C	Drop-out Voltage (Milli.) @ -65°C	Nom. Coil Power (W) @ 25°C	Max. Coil Voltage	Coil Desig.
5.0	20	2.75	3.8	4.5	0.35	0.23	1.25	6.0	5
6.0	25	3.5	4.5	5.2	0.45	0.3	1.44	8.0	6
12.0	100	6.5	9.0	10.5	0.9	0.6	1.44	15.0	12
26.5	390	14.0	18.0	21.0	1.8	1.2	1.8	32.0	24

Specifying a Part Number Example:

Type **SS** Mountings **BW-** Contacts **6C-** Coils **24** Terminals **B**

THIS DRAWING IS A CONTROLLED DOCUMENT.

DIMENSIONS: INCHES	TOLERANCES UNLESS OTHERWISE SPECIFIED:
0 PLC	±
1 PLC	±
2 PLC	±
3 PLC	±
4 PLC	±
ANGLES	±
FINISH	±



DWN	03JUL2020
VR	03JUL2020
CHK	03JUL2020
RV	
APVD	03JUL2020
MB	

STE TE Connectivity

SS-SERIES
 SIX POLE HALF SIZE
 HIGH PERFORMANCE RELAY

PRODUCT SPEC	NAME	SIZE	CAGE CODE	DRAWING NO	RESTRICTED TO
—		A3	—	CS-SERIES	—
APPLICATION SPEC					
WEIGHT					

CUSTOMER DRAWING	SCALE	NTS	SHEET	1 OF 1	REV	A
------------------	-------	-----	-------	--------	-----	---