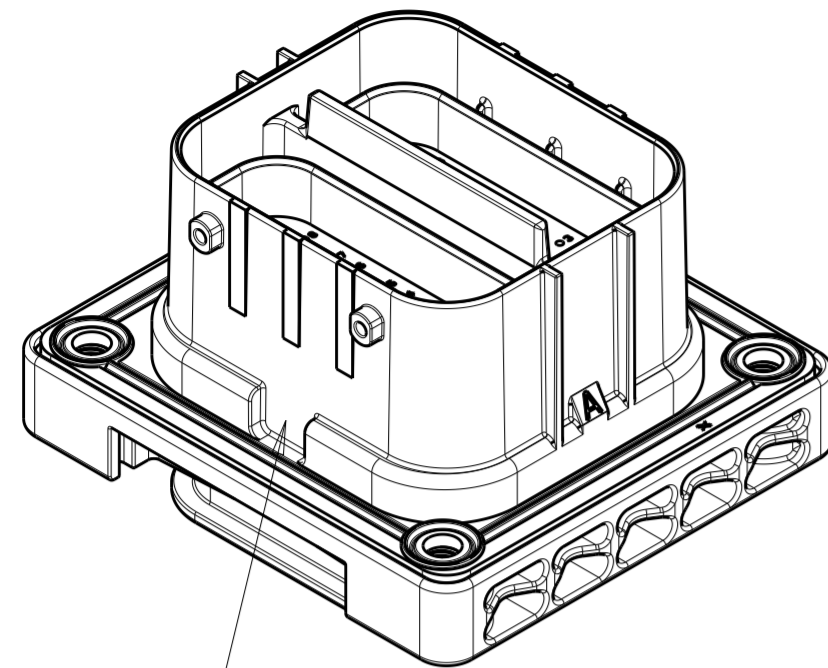
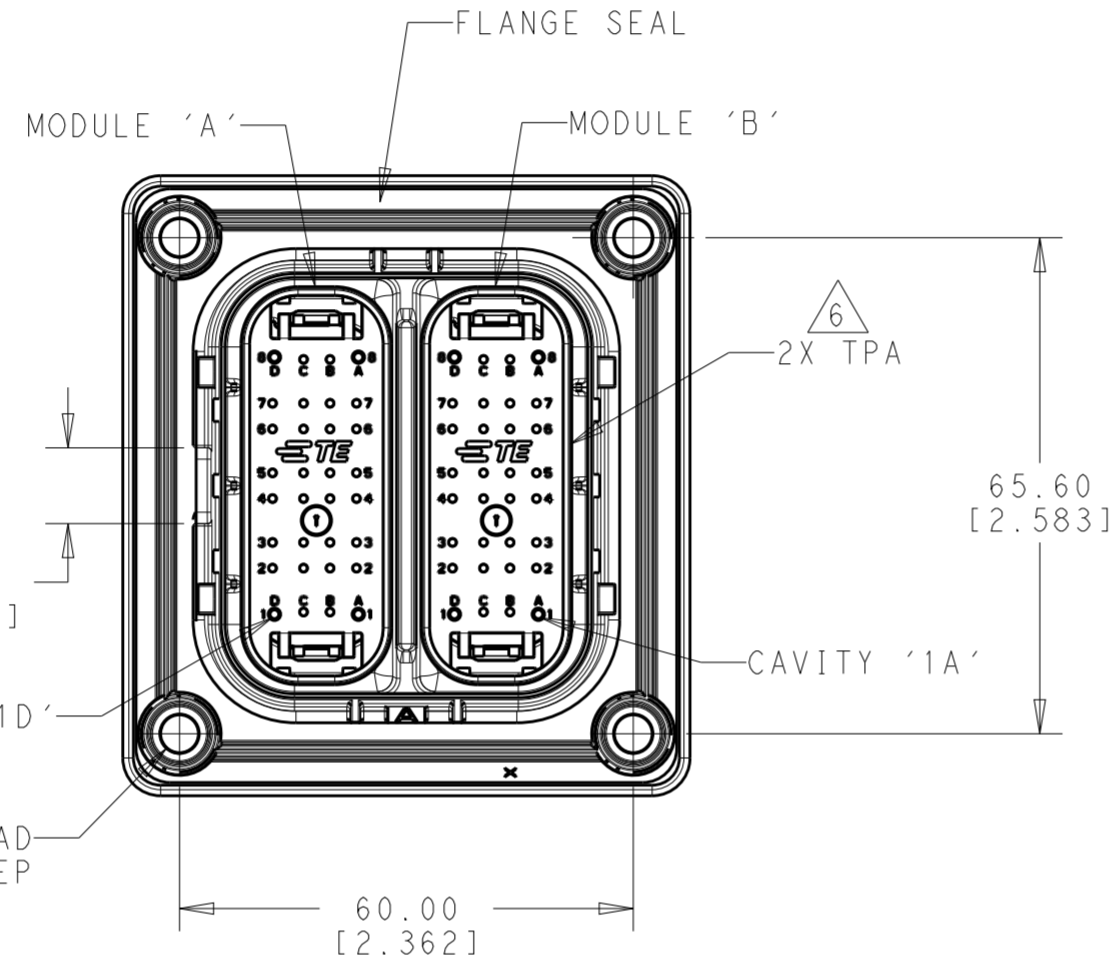


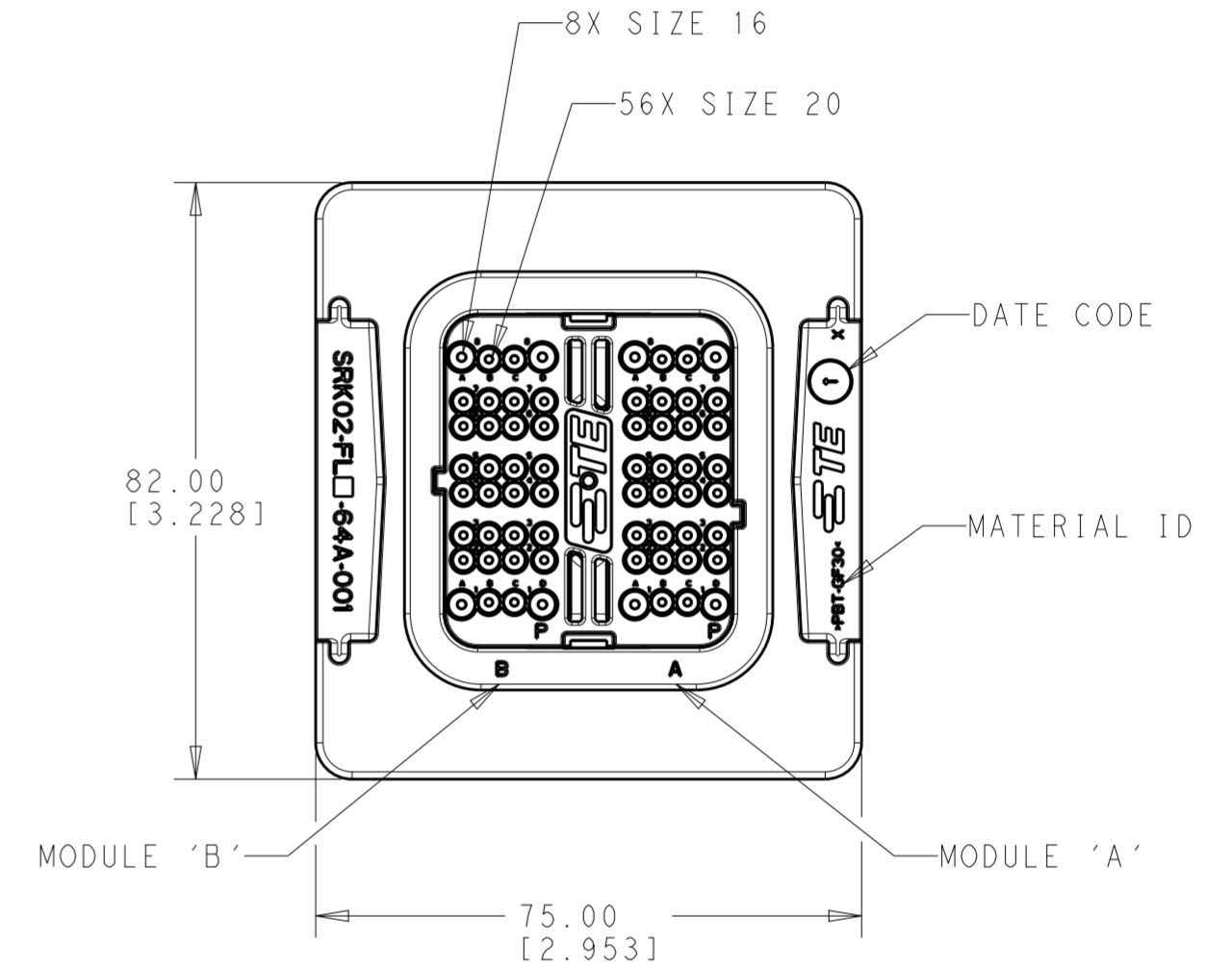
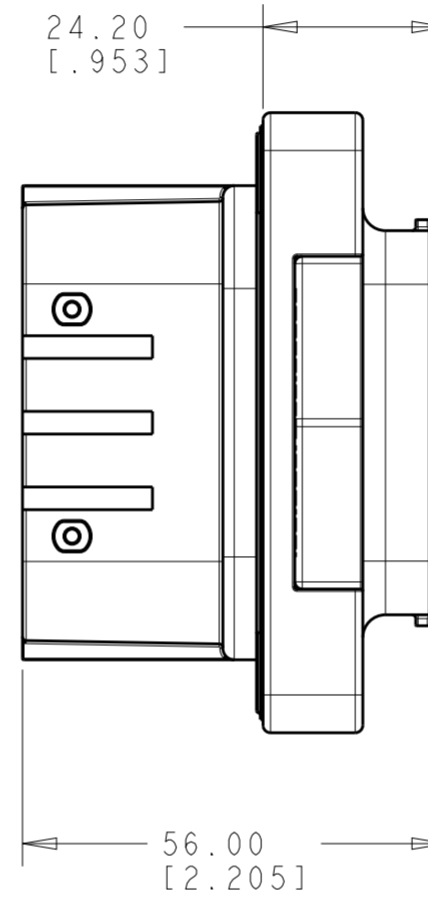
REVISIONS				
P	LTR	DESCRIPTION	DATE	APVD
A		INITIAL RELEASE	25JAN2016	RL DM
A1		REVISED PER ECO-16-006701	29APR2016	RL DM



PANEL MOUNT
KEYING FEATURE

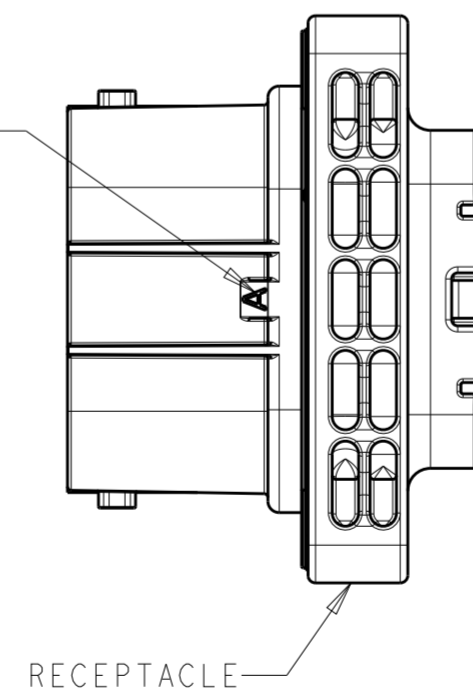


4
4X M5 X 0.8 THREAD
10.00 [.390] DEEP



- 8 SEE SHEET 2 FOR KEY ARRANGEMENTS.
- 7. SEE SHEET 3 FOR RECOMMENDED PANEL CUT-OUTS.
- 6 TERMINAL POSITION ASSURANCE (TPA) IS SHIPPED INSTALLED IN PRE-MOUNTED POSITION. USE HOOK STYLE TOOL, SUCH AS DT-RT1, TO REMOVE TPA.
- 5. BOTH MODULE CONTACT CAVITY IDENTIFICATIONS ARE SAME. CAVITIES 1A,1D,8A,8D ARE SIZE 16. REMAINING CAVITIES ARE SIZE 20.
- 4 RECOMMENDED SCREW: M5 X 0.8
TORQUE: 2.26-2.83 NM [20-25 IN-LB].
- 3. THE RECEPTACLE MATES WITH SRK06-FLX-64A-001-XXXX PLUG. (X = A THRU J, XXXX = ALL MODIFICATIONS)
- 2 MATERIAL:
RECEPTACLE, TPA, CAP: PBT GF30 (BLACK)
FLANGE SEAL: VMQ (GREEN)
GROMMET: VMQ (RED-ORANGE)
THREADED INSERT: BRASS
- 1 DIMENSIONAL TOLERANCES:
PART: ±0.64 [.025]
PANEL CUTOUT: ±0.25 [.010]

8
KEY ARRANGEMENT ID
(A THRU J)



TE INTERNAL PN	DEUTSCH PN
SRK02-FLA-64A-001	SRK02-FLA-64A-001
SRK02-FLB-64A-001	SRK02-FLB-64A-001
SRK02-FLC-64A-001	SRK02-FLC-64A-001
SRK02-FLD-64A-001	SRK02-FLD-64A-001
SRK02-FLE-64A-001	SRK02-FLE-64A-001
SRK02-FLF-64A-001	SRK02-FLF-64A-001
SRK02-FLG-64A-001	SRK02-FLG-64A-001
SRK02-FLH-64A-001	SRK02-FLH-64A-001
SRK02-FLI-64A-001	SRK02-FLI-64A-001
SRK02-FLJ-64A-001	SRK02-FLJ-64A-001

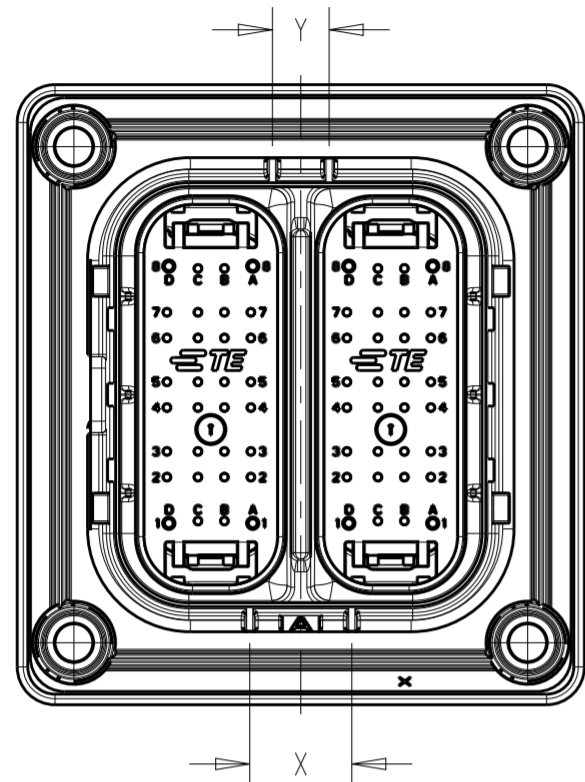
CONTACT SIZE	MIN INSUL OD	MAX INSUL OD	WIRE RANGE REF ONLY
16	1.55 [.061]	3.05 [.120]	2.0-0.5MM ² 14-20 AWG
20	1.55 [.061]	2.41 [.095]	1.0-0.5MM ² 16-20 AWG

NOTES: UNLESS OTHERWISE SPECIFIED

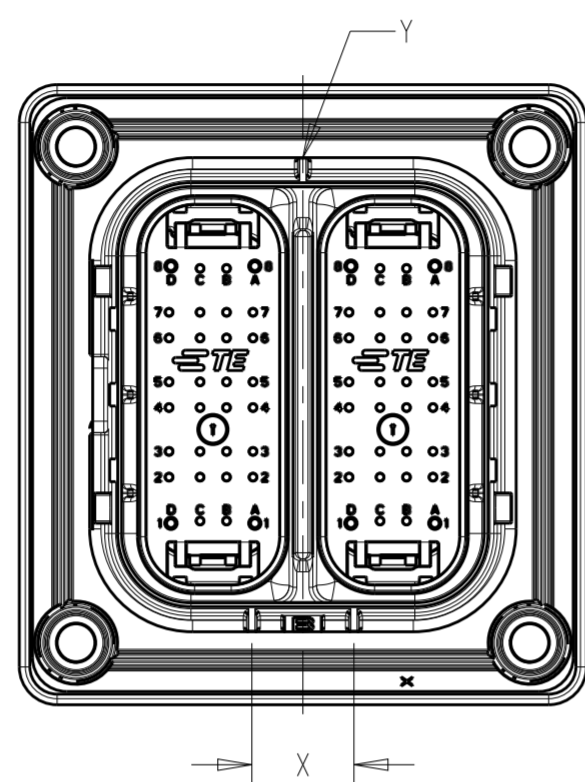
THIS DRAWING IS A CONTROLLED DOCUMENT.		DWN R. LEFFERTS 15 JAN 2016	TE Connectivity	
DIMENSIONS: mm [INCHES]		CHK D. WHITACRE 20 JAN 2016		
TOLERANCES UNLESS OTHERWISE SPECIFIED:		APVD D. MEYER 20 JAN 2016	NAME RECEPTACLE, FLANGE 64-PIN (FULL) STRIKE SERIES	
0 PLC ± 1 PLC ± 2 PLC ± 3 PLC ± 4 PLC ± ANGLES ± FINISH ±		PRODUCT SPEC	SIZE CAGE CODE DRAWING NO RESTRICTED TO	
MATERIAL		APPLICATION SPEC 0425-015-0000	A2	
2		WEIGHT 178.1g	C-SRK02-FLX-64A-001	
		CUSTOMER DRAWING	SCALE 1:1 SHEET 1 OF 3 REV A1	

REVISIONS				
P	LTR	DESCRIPTION	DATE	APVD
-		SEE SHEET 1		

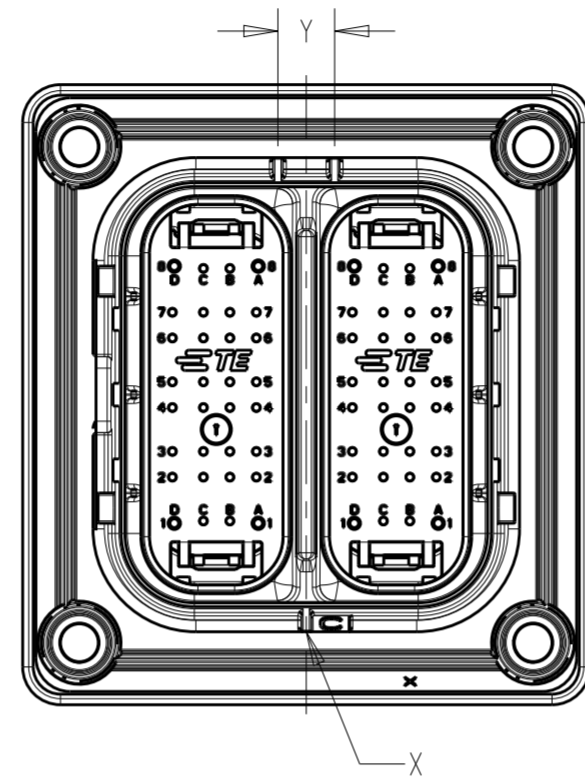
SRK02-FLA-64A-001



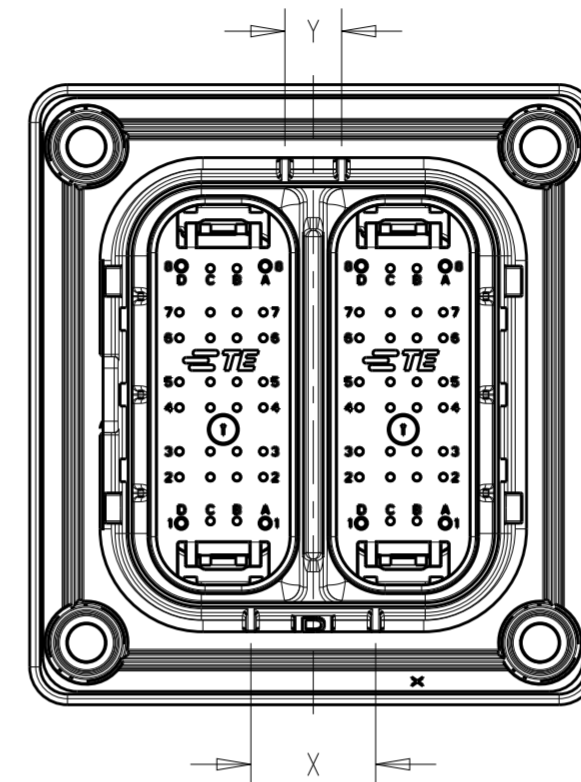
SRK02-FLB-64A-001



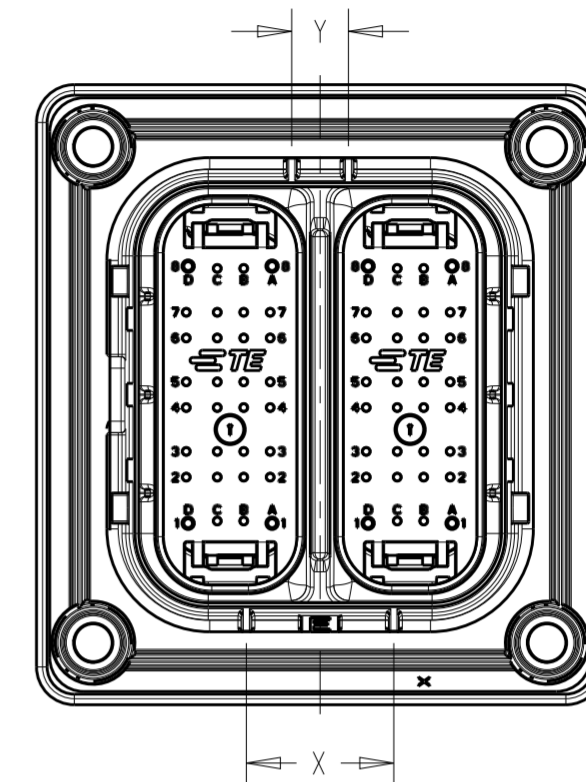
SRK02-FLC-64A-001



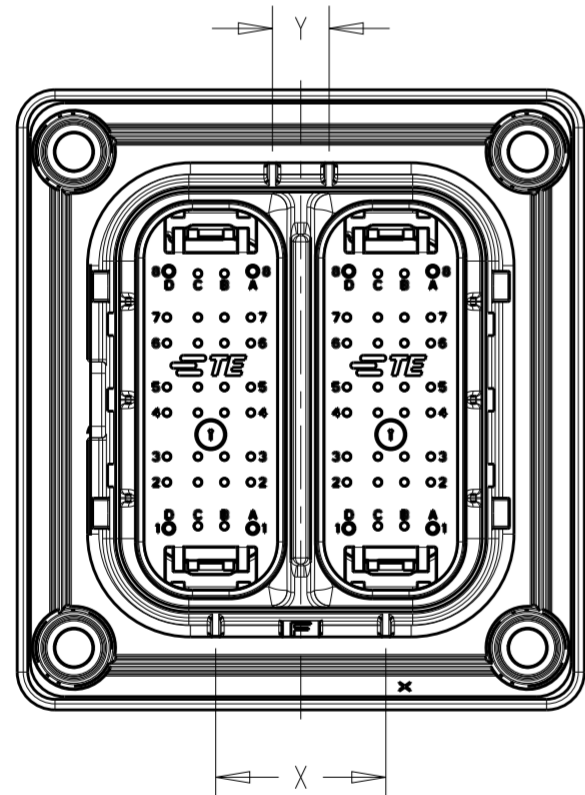
SRK02-FLD-64A-001



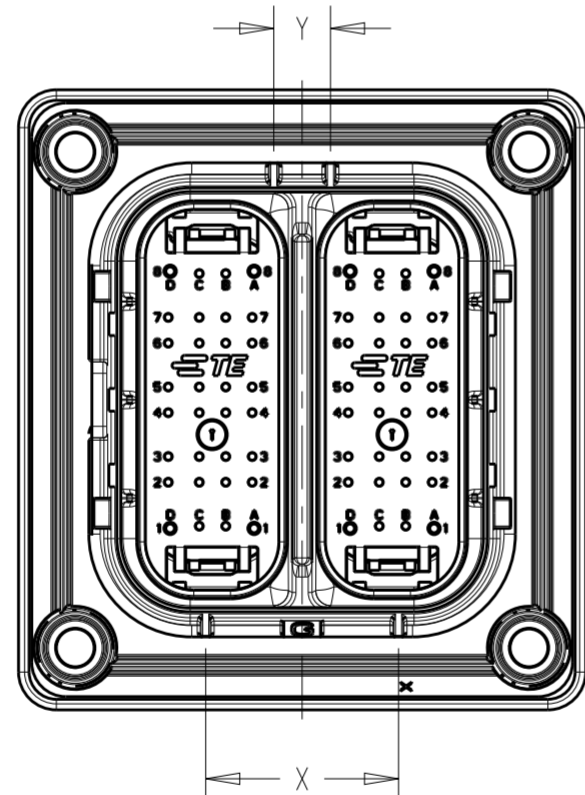
SRK02-FLE-64A-001



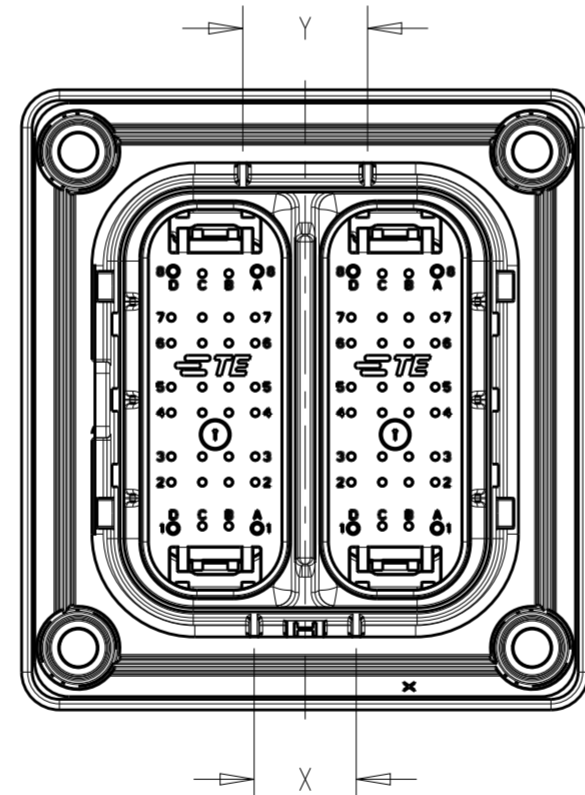
SRK02-FLF-64A-001



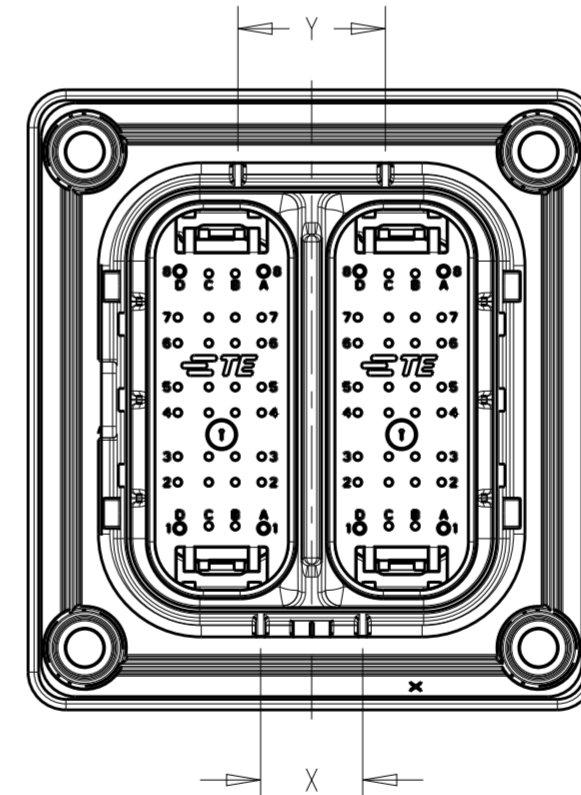
SRK02-FLG-64A-001



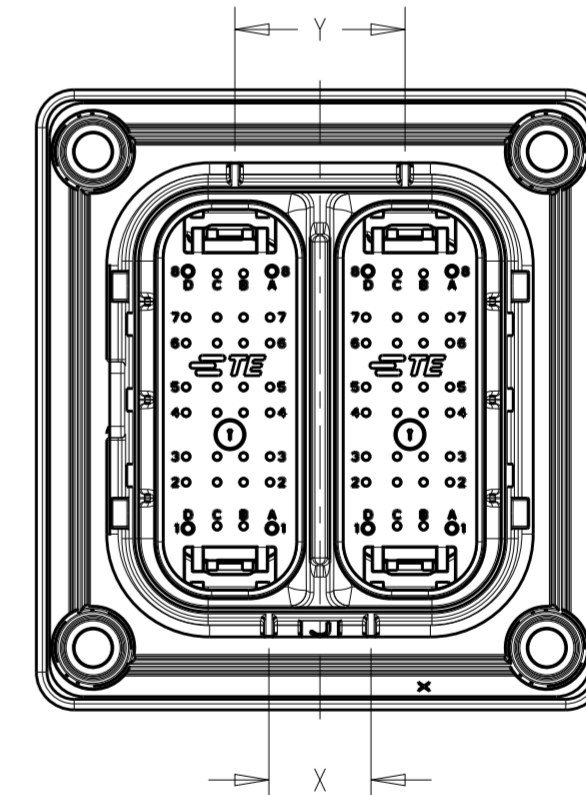
SRK02-FLH-64A-001



SRK02-FLI-64A-001



SRK02-FLJ-64A-001



KEY ARRANGEMENTS:

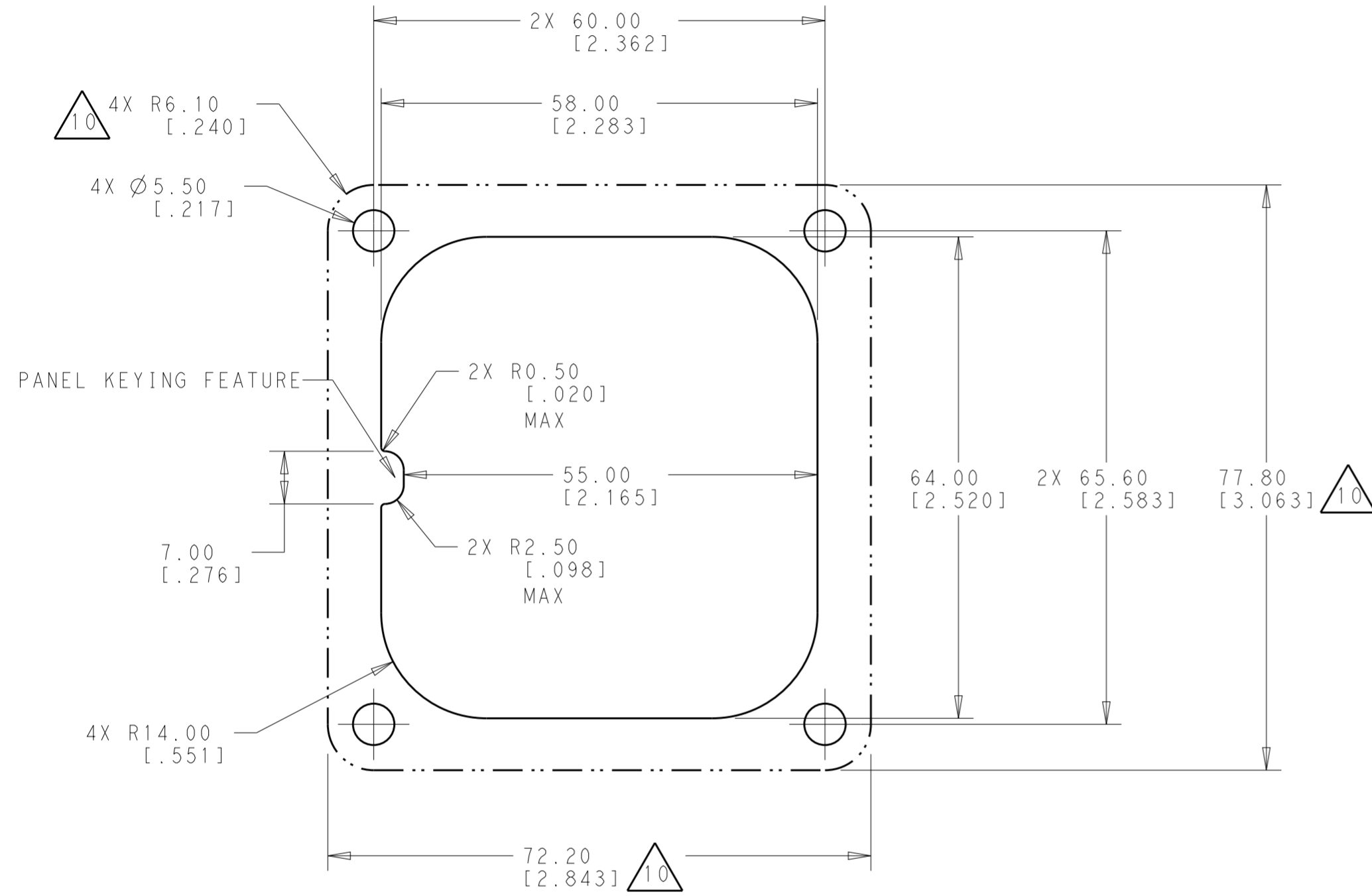
ARRANGEMENT	X	Y
A	13.50 [.530]	7.50 [.300]
B	13.50 [.530]	0*
C	0*	7.50 [.300]
D	16.50 [.650]	7.50 [.300]
E	19.50 [.770]	7.50 [.300]
F	22.50 [.890]	7.50 [.300]
G	25.50 [1.000]	7.50 [.300]
H	13.50 [.530]	16.50 [.650]
I	13.50 [.530]	19.50 [.770]
J	13.50 [.530]	22.50 [.890]

* A ZERO DIMENSION INDICATES A SINGLE KEY IN THE CENTER

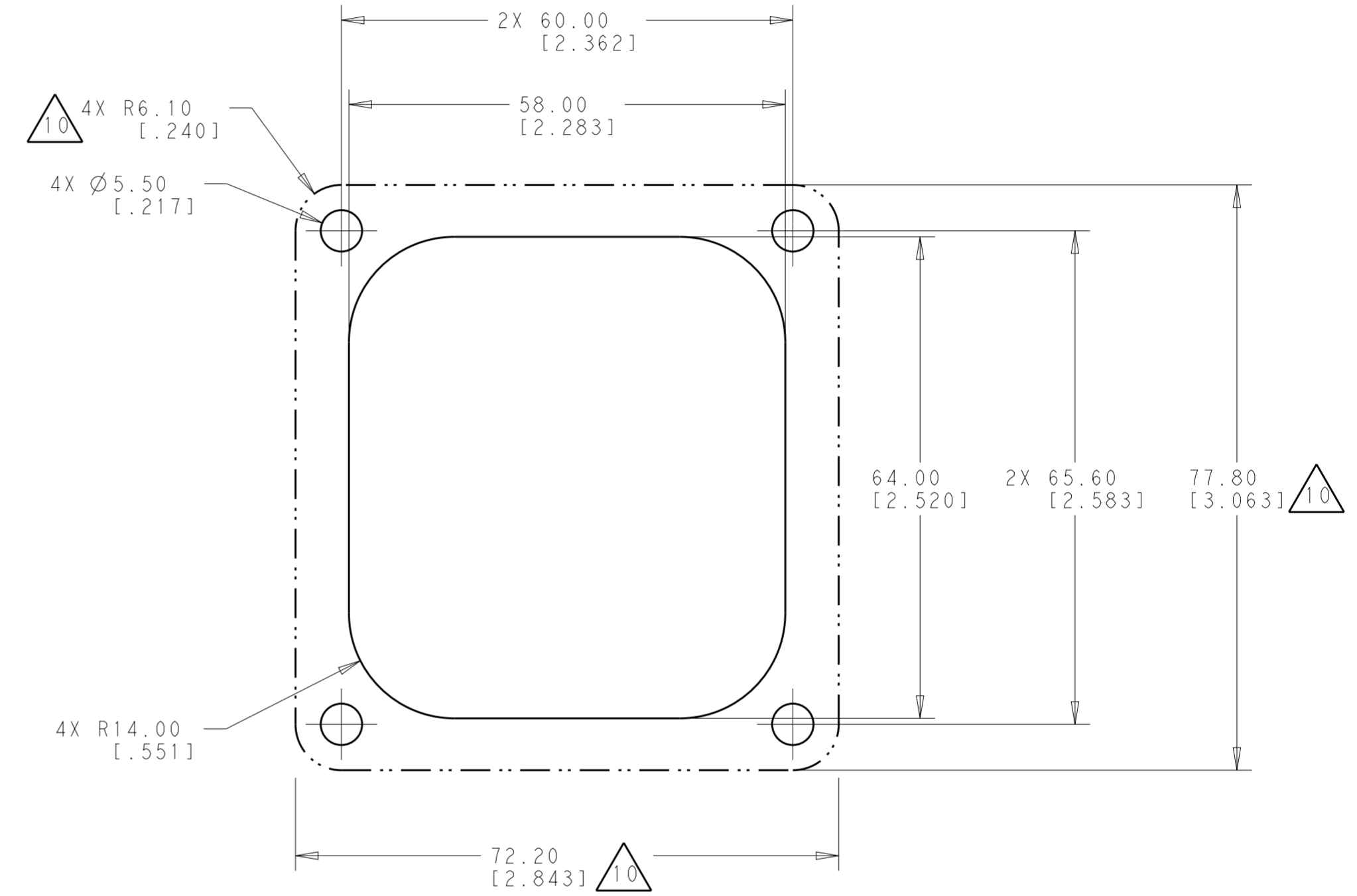
THIS DRAWING IS A CONTROLLED DOCUMENT.		DWN R. LEFFERTS 15 JAN 2016	TE Connectivity
DIMENSIONS: mm [INCHES]		CHK D. WHITACRE 20 JAN 2016	
TOLERANCES UNLESS OTHERWISE SPECIFIED:		APVD D. MEYER 20 JAN 2016	NAME RECEPTACLE, FLANGE 64-PIN (FULL) STRIKE SERIES
0 PLC ± 1 PLC ± 2 PLC ± 3 PLC ± 4 PLC ± ANGLES ± FINISH ±		PRODUCT SPEC	SIZE A2
MATERIAL 2		APPLICATION SPEC 0425-015-0000	CAGE CODE C-SRK02-FLX-64A-001
		WEIGHT 178.1g	DRAWING NO RESTRICTED TO
		CUSTOMER DRAWING	SCALE 1:1 SHEET 2 OF 3 REV A1

THIS DRAWING IS UNPUBLISHED. RELEASED FOR PUBLICATION 2016
 © COPYRIGHT 2016 BY TE CONNECTIVITY ALL RIGHTS RESERVED.

REVISIONS				
P	LTR	DESCRIPTION	DATE	APVD
-	-	SEE SHEET 1	-	-



**PANEL CUTOUT WITH
PANEL KEYING FEATURE**



**PANEL CUTOUT WITHOUT
PANEL KEYING FEATURE**

- 10 RECOMMENDED PANEL SURFACE FINISH: 32 RMS [0.80µm] OR BETTER WITHIN SPECIFIED SEALING REGION
 - 9 RECOMMENDED PANEL THICKNESS: 1.00-7.00 [0.040-.280]
- NOTES: UNLESS OTHERWISE SPECIFIED

THIS DRAWING IS A CONTROLLED DOCUMENT.		DWN R. LEFFERTS 15 JAN 2016	TE Connectivity	
DIMENSIONS: mm [INCHES]		CHK D. WHITACRE 20 JAN 2016		
TOLERANCES UNLESS OTHERWISE SPECIFIED:		APVD D. MEYER 20 JAN 2016	NAME RECEPTACLE, FLANGE 64-PIN (FULL) STRIKE SERIES	
0 PLC ± 1 1 PLC ± 1 2 PLC ± 1 3 PLC ± 1 4 PLC ± 1 ANGLES ± FINISH ±		PRODUCT SPEC	SIZE A2	
MATERIAL 2		APPLICATION SPEC 0425-015-0000	CAGE CODE	DRAWING NO. C-SRK02-FLX-64A-001
		WEIGHT 178.1g	RESTRICTED TO	
		CUSTOMER DRAWING	SCALE 1:1	SHEET 3 OF 3 REV A1