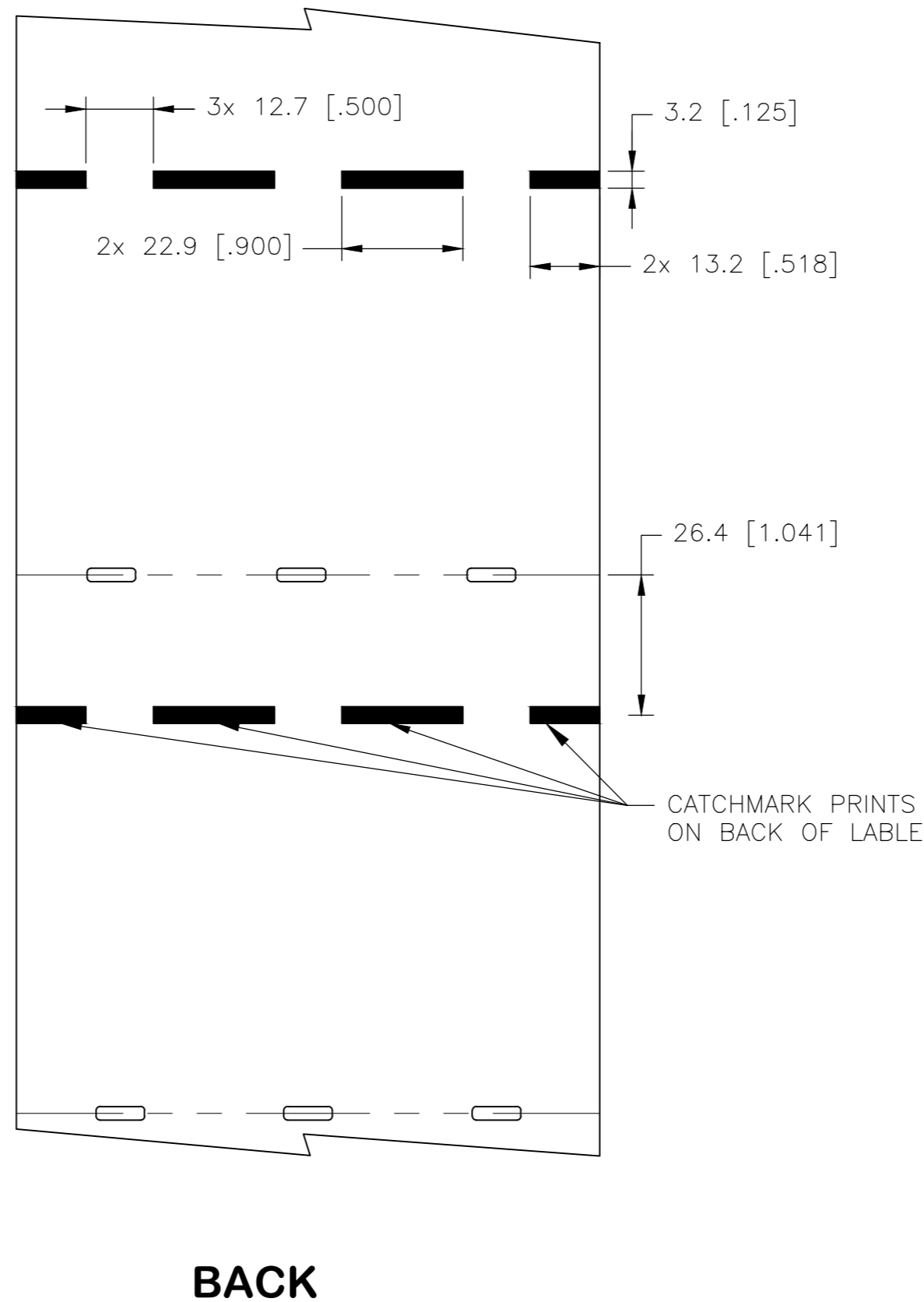
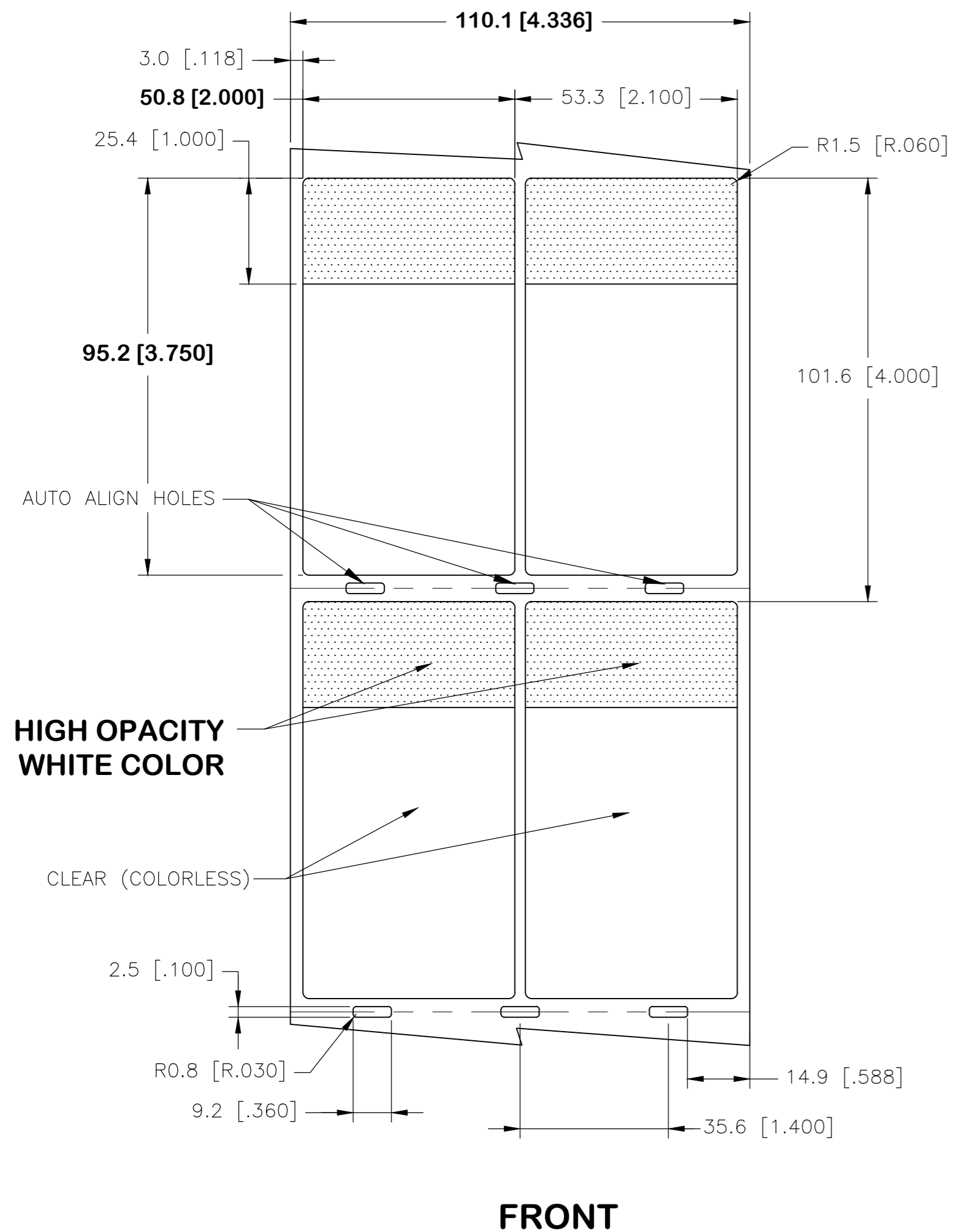
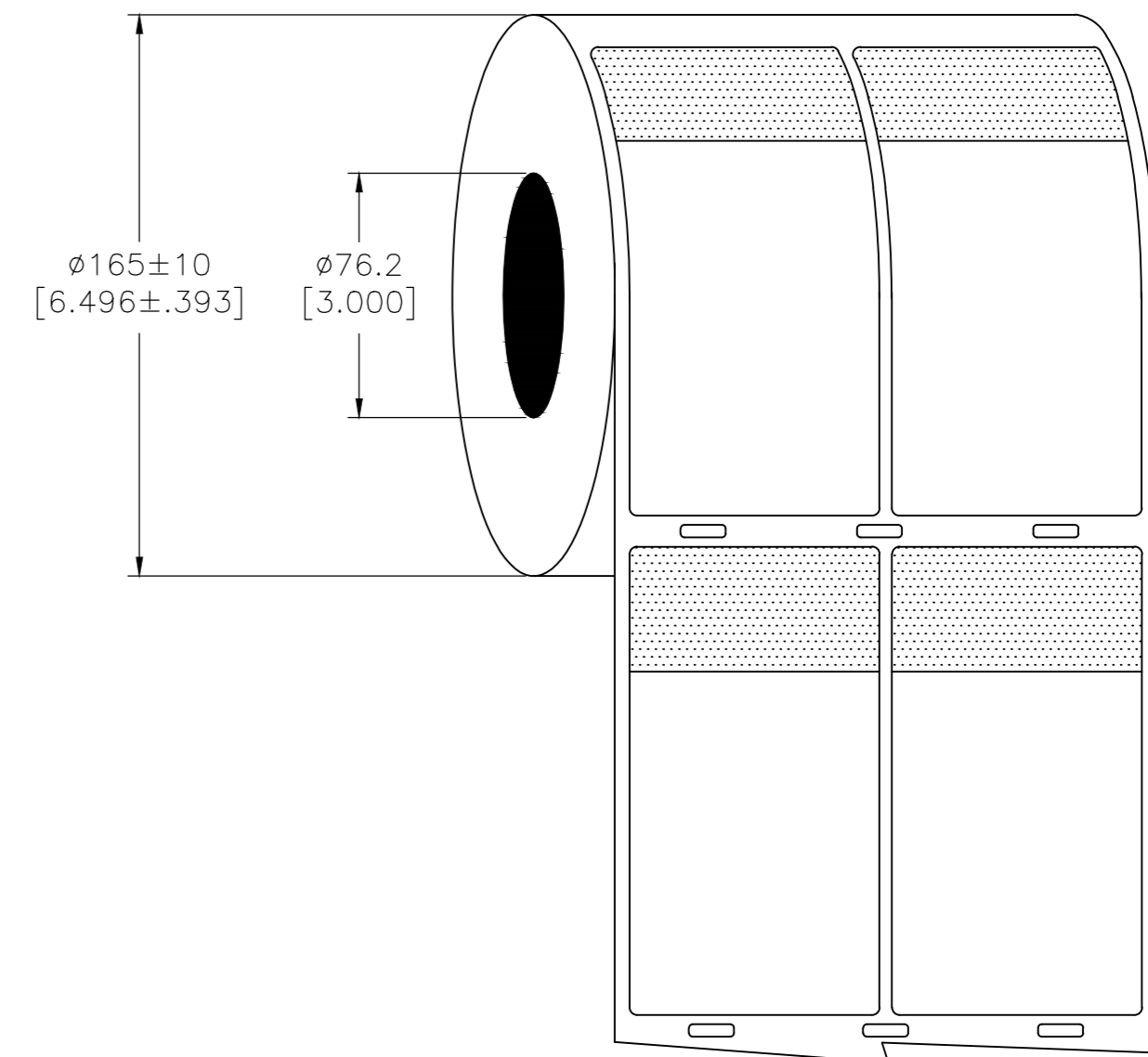


REVISIONS					
P	LTR	DESCRIPTION	DATE	DWN	APVD
A		NEW DRAWING	12MAR2020	GK	DB

LABEL AND LINER DESIGN



PRESENTATION



**OUTSIDE WOUND
LABEL ACROSS: 2
PER ROLL QTY: 2,500**

All dimensions in mm [Inch]

TE PN: E87503-000

TOLERANCES mm [INCH]		THIS DRAWING IS A CONTROLLED DOCUMENT.		MATERIAL		CLEAR POLYESTER																					
LABEL HEIGHT:	±0.3 [.012]	DIMENSIONS:	TOLERANCES UNLESS OTHERWISE SPECIFIED:	ADHESIVE TYPE	ACRYLIC PERMANENT																						
LABEL WIDTH:	±0.3 [.012]	mm [INCHES]	0 PLC ±	LINEAR	BLUE KRAFT																						
WEB WIDTH:	±0.8 [.031]		1 PLC ± -	<table border="1"> <tr> <td>DWN</td> <td>12MAR2020</td> <td colspan="2">GOPALAKRISHNA HV</td> </tr> <tr> <td>CHK</td> <td>12MAR2020</td> <td colspan="2">D.BURGAT</td> </tr> <tr> <td>APVD</td> <td>12MAR2020</td> <td colspan="2">D.BURGAT</td> </tr> <tr> <td>PRODUCT SPEC</td> <td colspan="3">TTDS-220</td> </tr> <tr> <td>APPLICATION SPEC</td> <td colspan="3">-</td> </tr> </table>				DWN	12MAR2020	GOPALAKRISHNA HV		CHK	12MAR2020	D.BURGAT		APVD	12MAR2020	D.BURGAT		PRODUCT SPEC	TTDS-220			APPLICATION SPEC	-		
DWN	12MAR2020	GOPALAKRISHNA HV																									
CHK	12MAR2020	D.BURGAT																									
APVD	12MAR2020	D.BURGAT																									
PRODUCT SPEC	TTDS-220																										
APPLICATION SPEC	-																										
VERTICAL REPEAT:	±0.8 [.031]*		2 PLC ± -	SIZE	CAGE CODE	DRAWING NO	RESTRICTED TO																				
HORIZONTAL REPEAT:	±0.8 [.031]*		3 PLC ± -	A2	00779	C=SP200375WE2.5	-																				
PRINT POSITIONING:	±0.8 [.031]*		4 PLC ± -	SCALE NTS SHEET 1 OF 1 REV A																							
LEFT MARGIN:	±0.4 [.016]		ANGLES ± -	CUSTOMER DRAWING																							
QUANTITY:	-0 % +2 %	MATERIAL	FINISH	GLOSSY																							
*NON ACCUMULATING		SEE TABLE																									