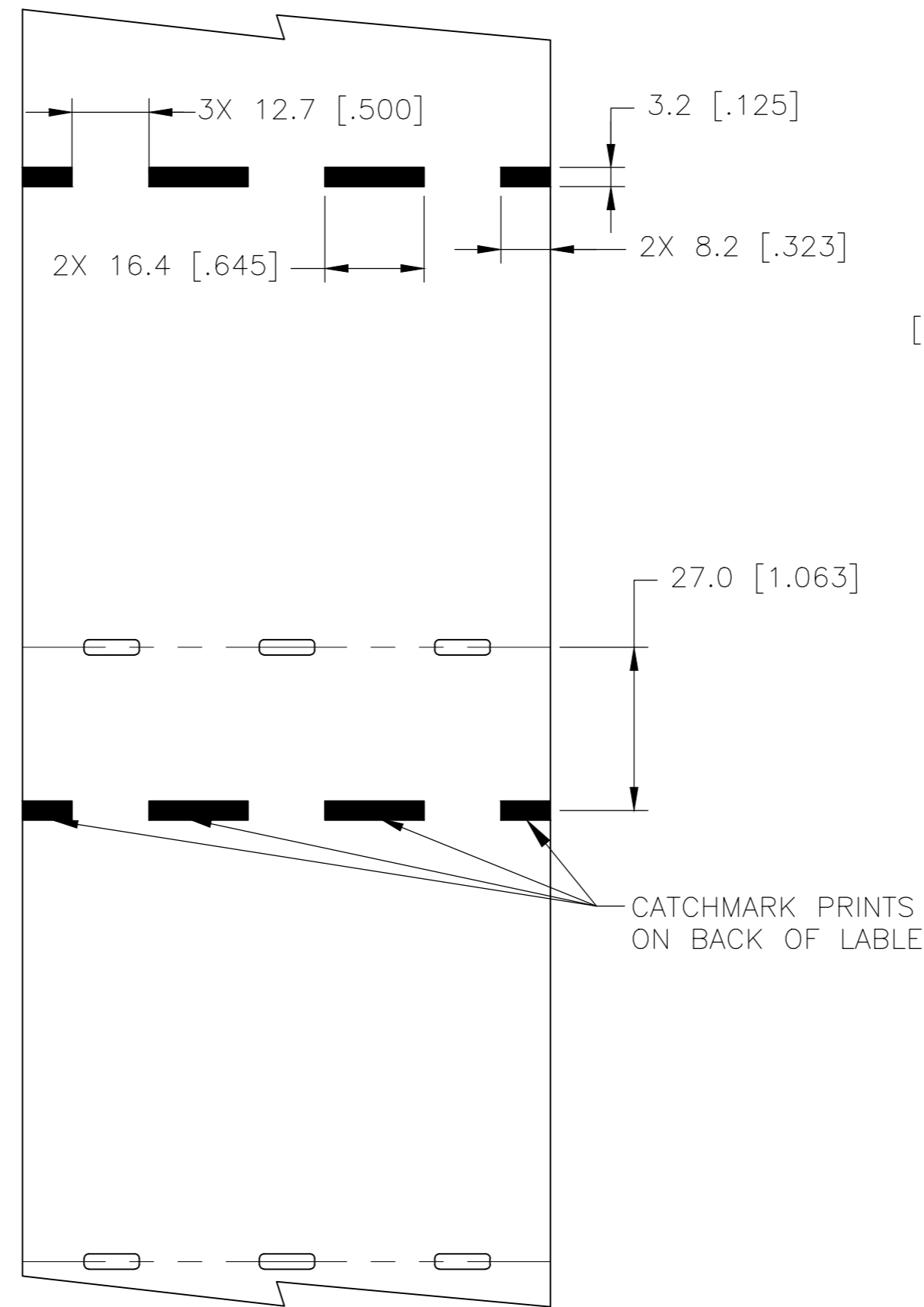
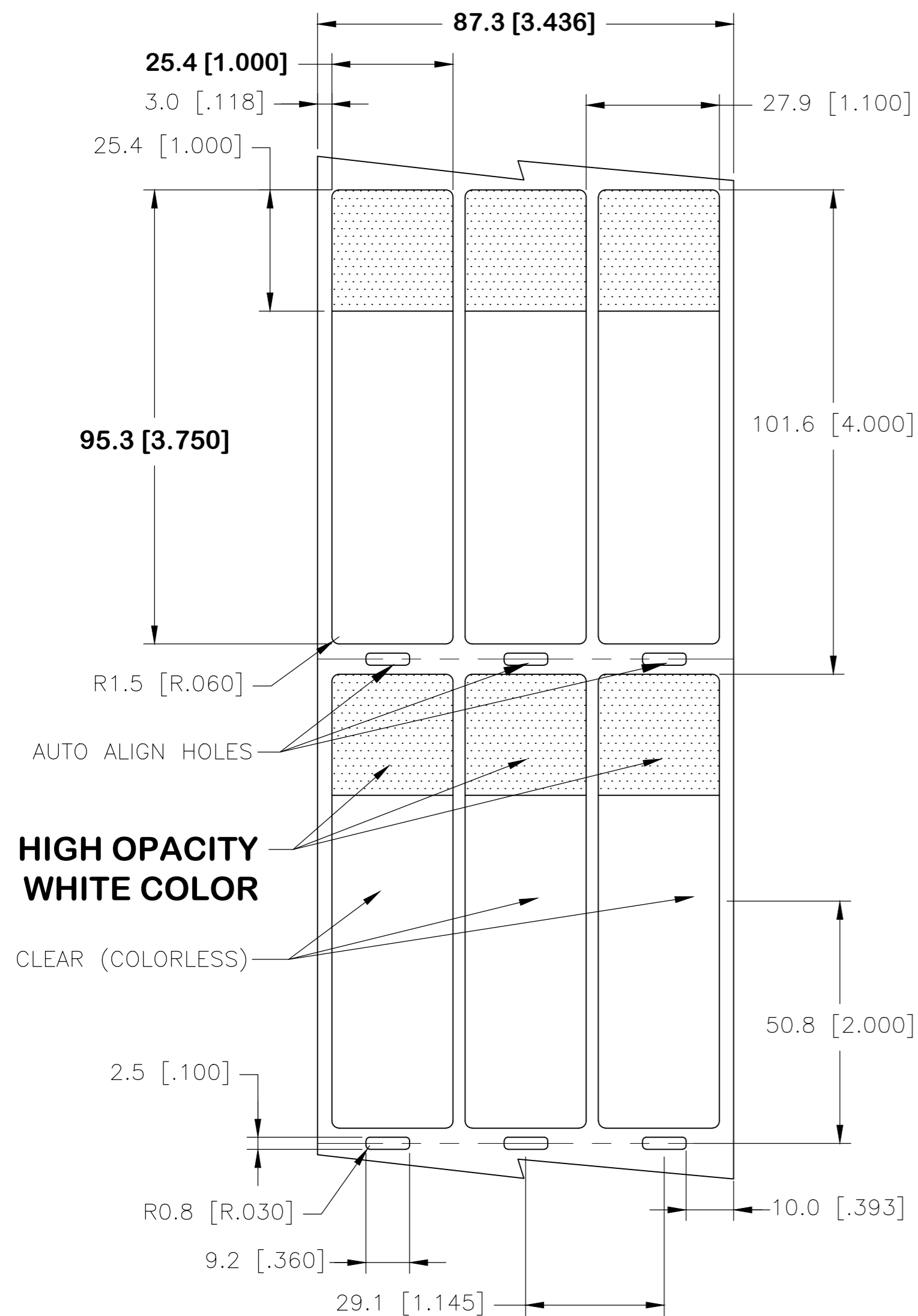
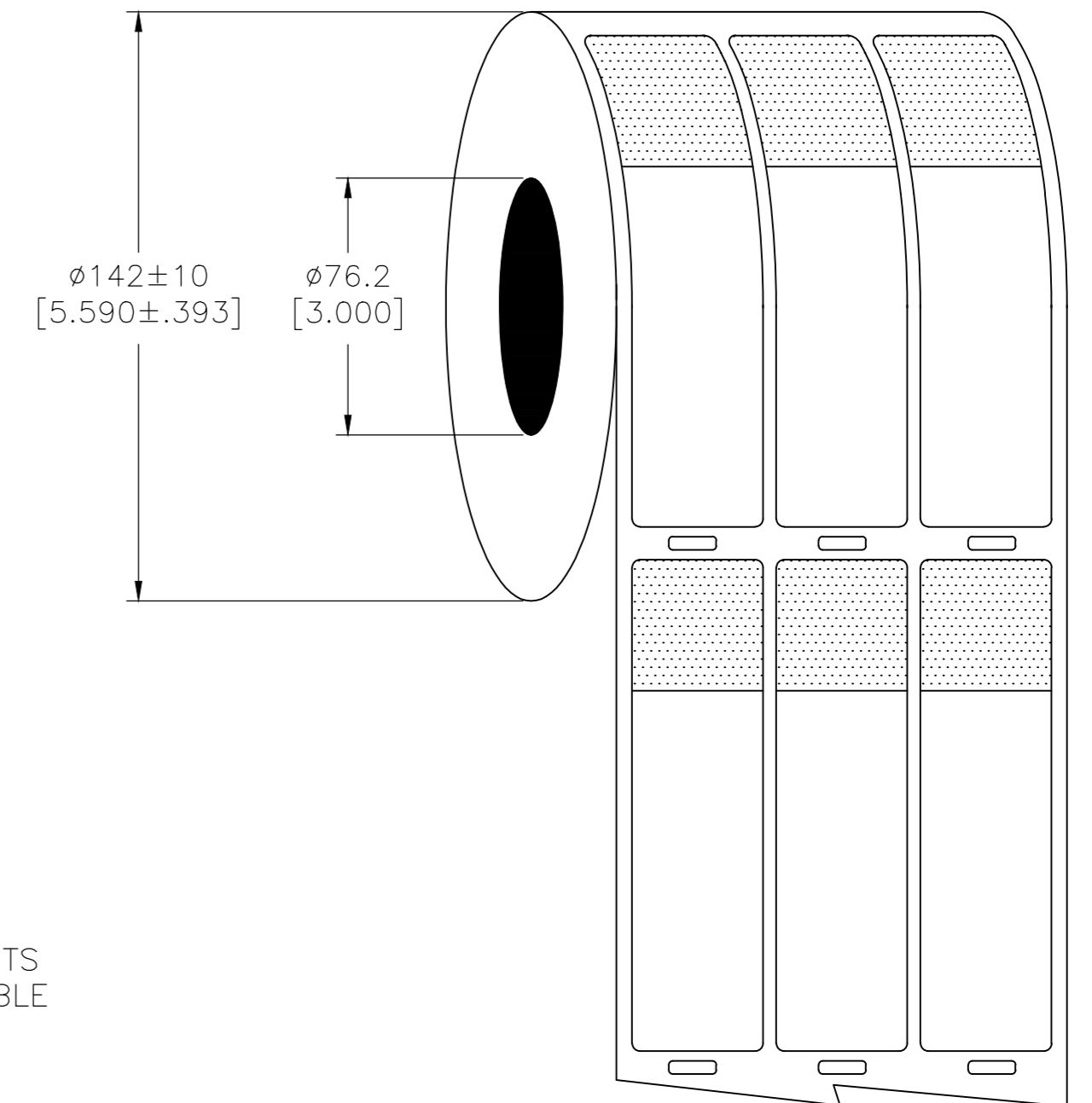


REVISIONS					
P	LTR	DESCRIPTION	DATE	DWN	APVD
A		NEW DRAWING	16MAR2020	GK	DB

### LABEL AND LINER DESIGN



### PRESENTATION



All dimensions in mm [Inch]

**TE PN: A34514-000**

MATERIAL	CLEAR POLYESTER
ADHESIVE TYPE	ACRYLIC PERMANENT
LINEAR	BLUE KRAFT
DWN: GOPALAKRISHNA HV CHK: D.BURGAT APVD: D.BURGAT PRODUCT SPEC: TTDS-220 APPLICATION SPEC: -	TE Connectivity
NAME: SP LABEL - WHITE 25.4 x 95.3mm [1.00 x 3.75inch]	
SIZE: A2 CAGE CODE: 00779 DRAWING NO: C=SP100375WE2.5	RESTRICTED TO: -
WEIGHT: 0.143g	SCALE: NTS
CUSTOMER DRAWING	SHEET 1 OF 1 REV A

TOLERANCES mm [INCH]		THIS DRAWING IS A CONTROLLED DOCUMENT.	
LABEL HEIGHT:	±0.3 [.012]	DIMENSIONS:	TOLERANCES UNLESS OTHERWISE SPECIFIED:
LABEL WIDTH:	±0.3 [.012]	mm [INCHES]	
WEB WIDTH:	±0.8 [.031]		
VERTICAL REPEAT:	±0.8 [.031]*		
HORIZONTAL REPEAT:	±0.8 [.031]*		
PRINT POSITIONING:	±0.8 [.031]*		
LEFT MARGIN:	±0.4 [.016]		
QUANTITY:	-0 % +2 %		
*NON ACCUMULATING		MATERIAL:	FINISH:
		SEE TABLE	GLOSSY