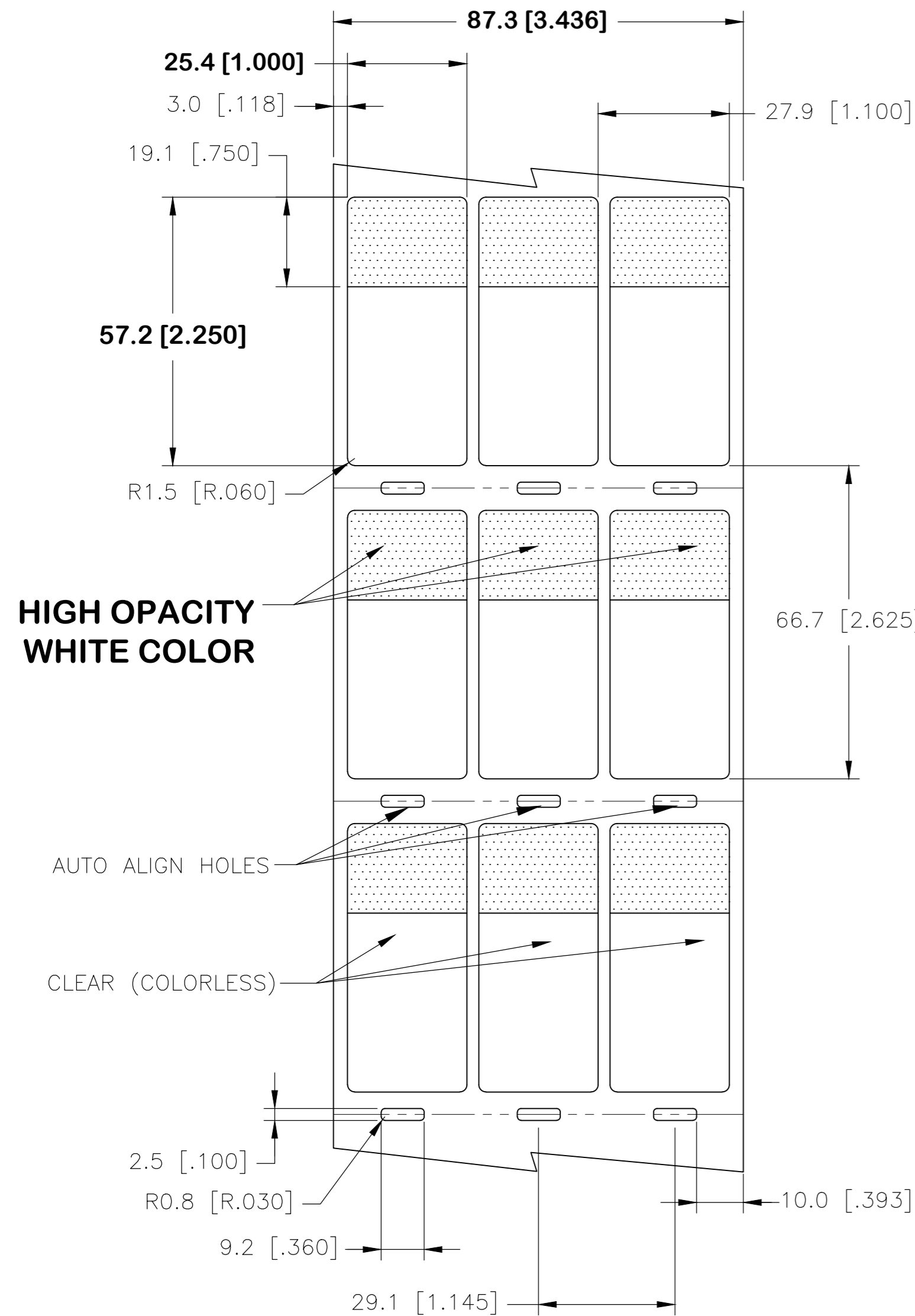
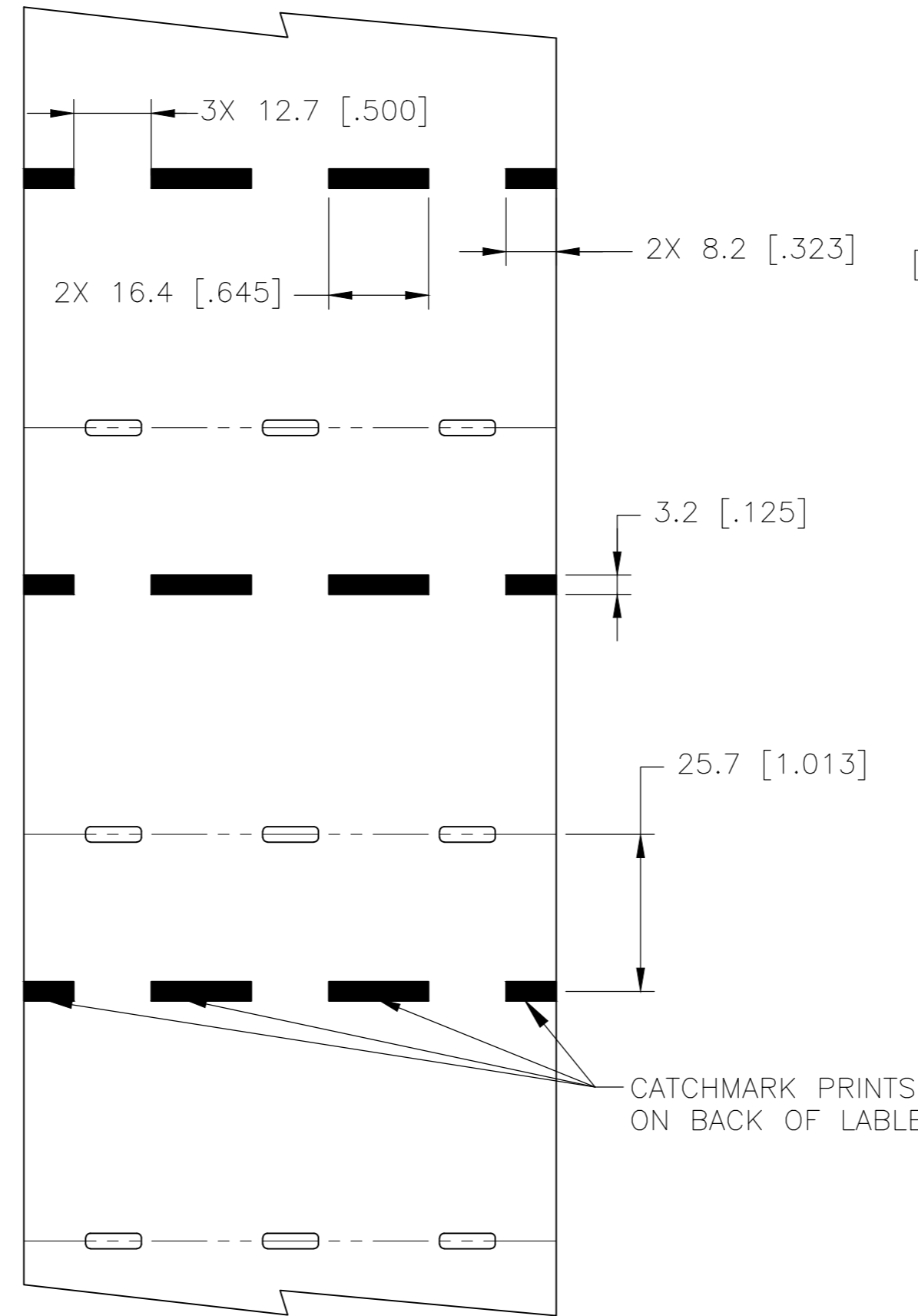


REVISIONS					
P	LTR	DESCRIPTION	DATE	DWN	APVD
A		NEW DRAWING	12MAR2020	GK	DB

**LABEL AND LINER DESIGN**

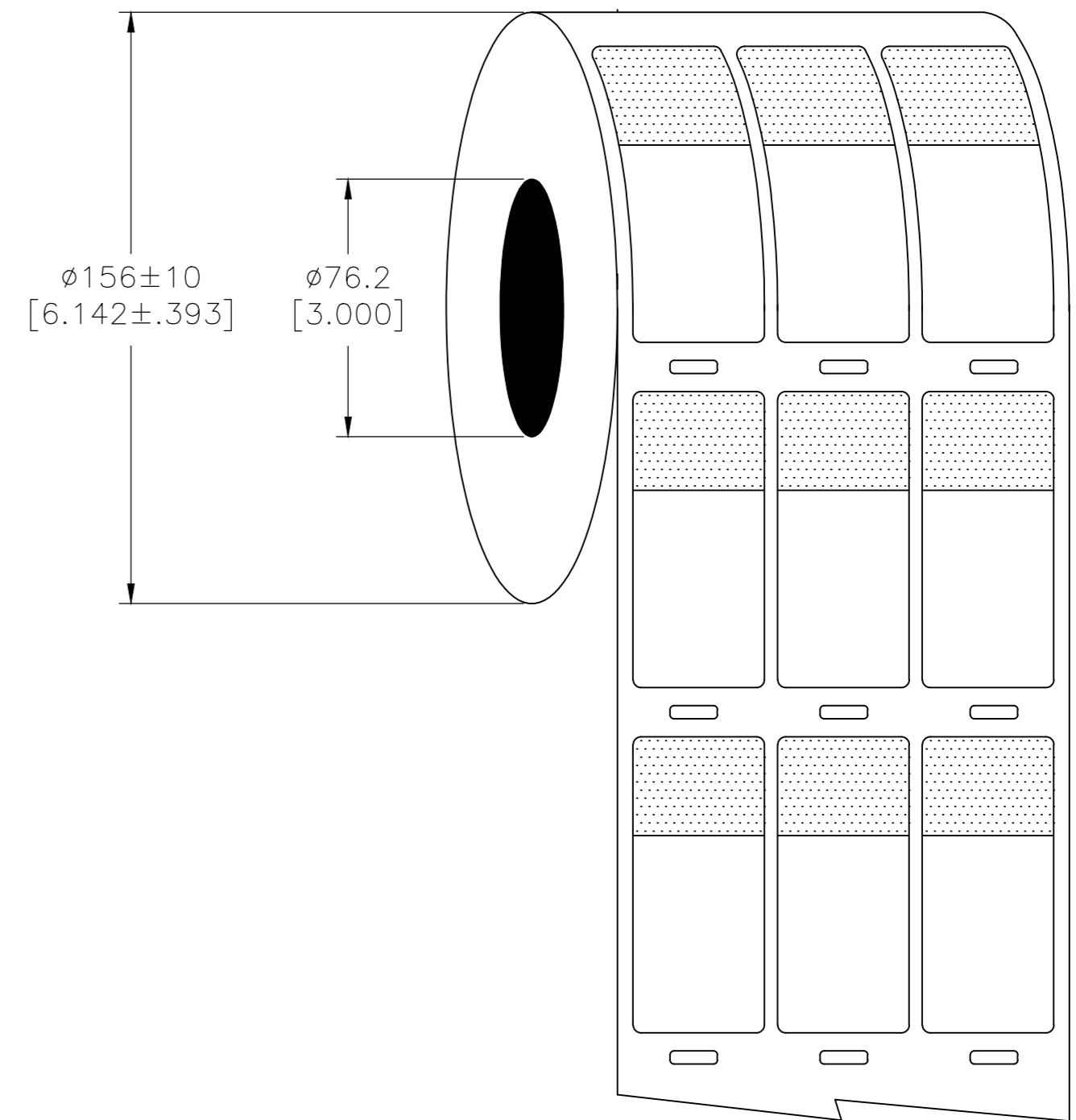


**FRONT**



**BACK**

**PRESENTATION**



**OUTSIDE WOUND  
LABEL ACROSS: 3  
PER ROLL QTY: 5,000**

All dimensions in mm [Inch]

**TE PN: A65855-000**

TOLERANCES mm [INCH]		THIS DRAWING IS A CONTROLLED DOCUMENT.		DWN 12MAR2020 GOPALAKRISHNA HV		TE Connectivity	
LABEL HEIGHT:	±0.3 [.012]	DIMENSIONS:	TOLERANCES UNLESS OTHERWISE SPECIFIED:	CHK 12MAR2020 D.BURGAT	NAME		
LABEL WIDTH:	±0.3 [.012]	mm [INCHES]	0 PLC ±	APVD 12MAR2020 D.BURGAT	SP LABEL - WHITE		
WEB WIDTH:	±0.8 [.031]		1 PLC ± -	PRODUCT SPEC	25.4 x 57.2mm [1.00 x 2.25inch]		
VERTICAL REPEAT:	±0.8 [.031]*		2 PLC ± -	APPLICATION SPEC	SIZE	CAGE CODE	DRAWING NO
HORIZONTAL REPEAT:	±0.8 [.031]*		3 PLC ± -		A2	00779	C=SP100225WE5
PRINT POSITIONING:	±0.8 [.031]*		4 PLC ± -	WEIGHT	RESTRICTED TO		
LEFT MARGIN:	±0.4 [.016]		ANGLES ± -	0.086g	-		
QUANTITY:	-0 % +2 %	MATERIAL	FINISH	CUSTOMER DRAWING	SCALE	SHEET	REV
*NON ACCUMULATING		SEE TABLE	GLOSSY		NTS	1 OF 1	A