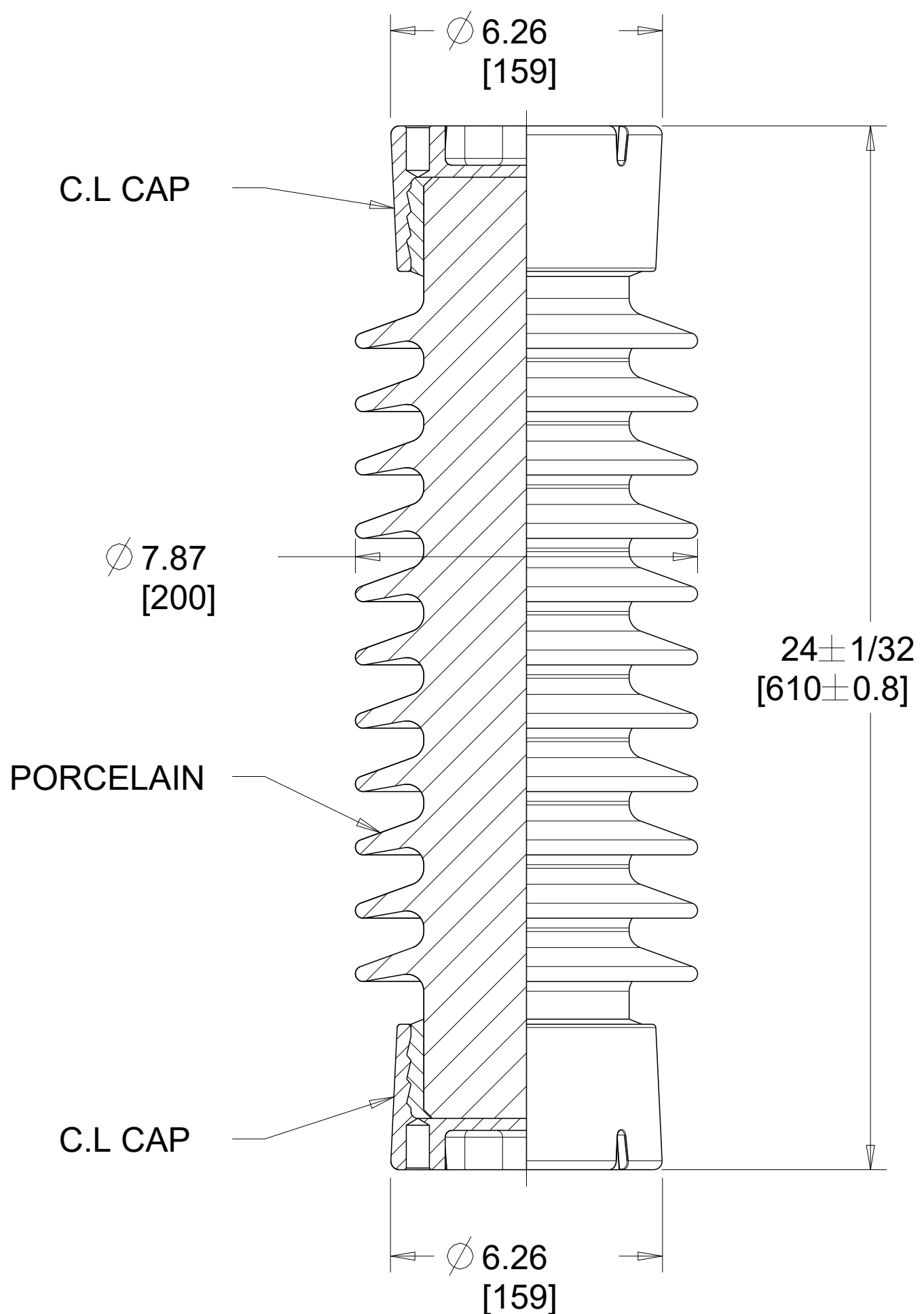
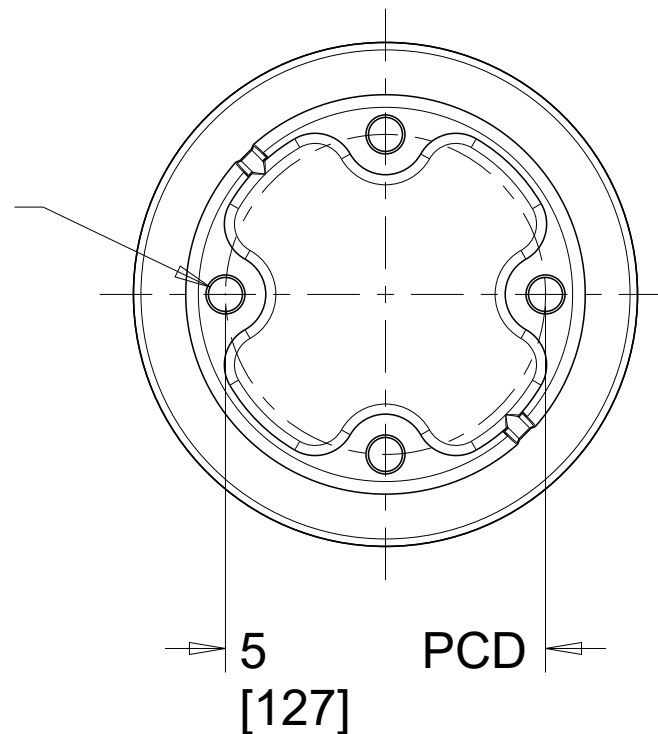


THIS DRAWING IS UNPUBLISHED. RELEASED FOR PUBLICATION
 © COPYRIGHT copyright_date BY - ALL RIGHTS RESERVED.

REVISIONS					
P	LTR	DESCRIPTION	DATE	DWN	APVD
3		REDRAW	-	WLY	HENRY
4		CHANGE TO THE TE LOGO	-	YQ	GREG
5		UPDATE THE MARKING	-	YQ	GREG
6		REDRAWN IN CREO	24OCT2018	RS	KP

5/8"-11UNC TAPPED HOLES
 0.015" OVERSIZE
 FULLY THREAD 0.78"(20)
 DEPTH EQUI-SPACED, 4 PL.



Notes:

1. All ferrous parts hot-dip galvanized to ASTM A153
2. Additional mark on porcelain: Batch traceability number
3. Reference standard ANSI C29.9
4. Mark on porcelain: **STE**
TR 267
Month Year

Mechanical Properties

Units	English	Metric
Tensile Strength	25,000 lb	111.2 kN
Compression Strength	60,000 lb	267 kN
Torsional Strength	20,000 in-lb	2260 N-m
Cantilever Strength	4000 lb	17.8 kN

Electrical Properties

Impulse Withstand Voltage	250 kV
Wet p.f. Frequency Withstand	100 kV
Critical Impulse Flashover Voltage, Positive	280 kV
Radio-Influence Voltage	
Test Voltage to Ground	30 kV
Max RIV at 1000kHz	200 μV

Physical Properties

Units	English	Metric
Nominal Creepage Distance	43 in	1092 mm
Nett Weight	80 lb	36 Kg
Gross Weight	-	-
Colour	Grey	

TE P/N: D24800-000

THIS DRAWING IS A CONTROLLED DOCUMENT.		DWN RAVI.S 24OCT2018	STE TE Connectivity		
DIMENSIONS: inch (mm)		CHK K.PUSTHAY 24OCT2018			
TOLERANCES UNLESS OTHERWISE SPECIFIED:		APVD K.PUSTHAY 24OCT2018	NAME PORCELAIN STATION POST INSULATOR, TR 267		
0 PLC ±	1 PLC ±	PRODUCT SPEC	SIZE	CAGE CODE	DRAWING NO
2 PLC ±	3 PLC ±	APPLICATION SPEC	A2	00779	SP-TR267PG
4 PLC ±	ANGLES ±	FINISH	WEIGHT	SCALE	SHEET
MATERIAL	FINISH	WEIGHT	-	NTS	1 OF 1
-	-	CUSTOMER DRAWING	RESTRICTED TO	REV	6
-	-				