

Origin:

Customer:

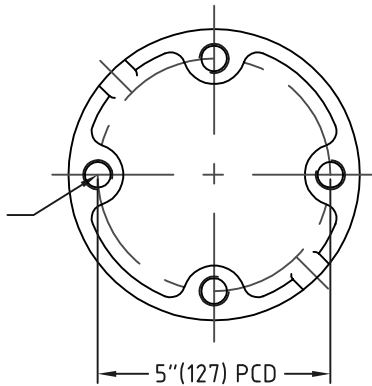
NOTES:

- 1). Units: in(mm)
- 2). All ferrous parts Hot Dip Galv.To ASTM A153
- 3). Additional Mark on Porcelain: Batch traceability number
- 4). Mark on Porcelain:



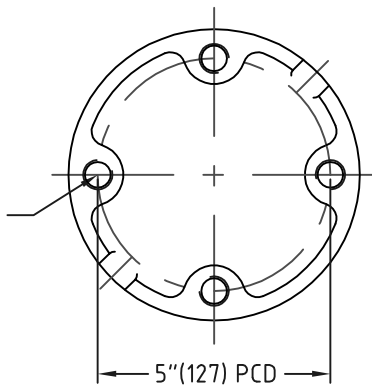
TR227
4754
Month Year

5/8"-11 UNC Tapped Hole
0.015" Oversize
Fully Thread 0.78"(20) Depth
Equi-spaced,4 Pl.

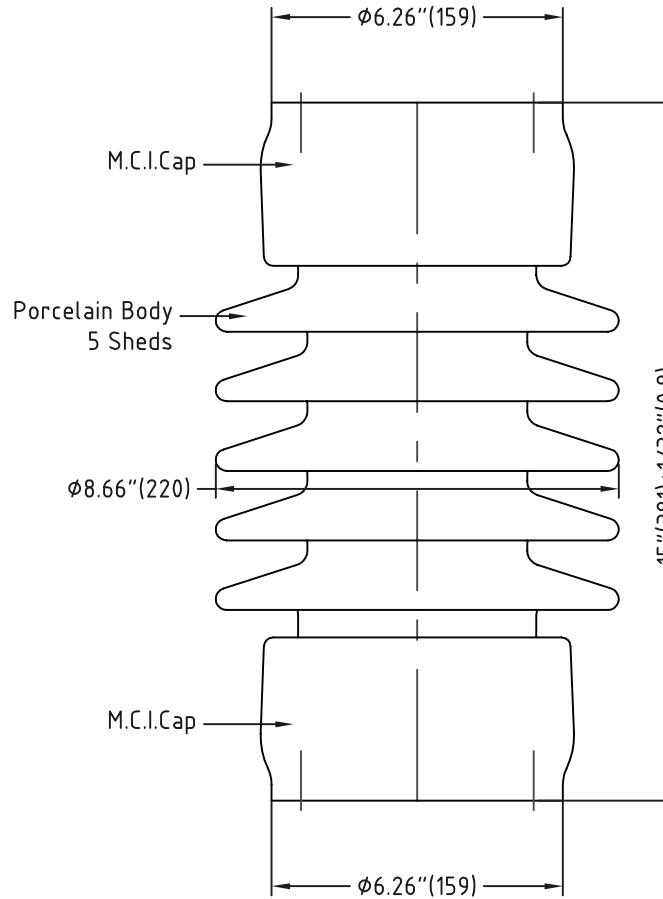


Top View

5/8"-11 UNC Tapped Hole
0.015" Oversize
Fully Thread 0.78"(20) Depth
Equi-spaced,4 Pl.



Bottom View



ELECTRICAL PROPERTIES

Critical Impulse Flashover Voltage			
	Positive	kV	170
Impulse Withstand Voltage		kV	150
Wet p.f. Withstand Voltage		kV	60
Radio-Influence Voltage			
Test Voltage to Ground		kV	15
Max. RIV at 1000kHz		uV	100

PHYSICAL PROPERTIES

Nominal Creepage Distance	in(mm)	24(610)
Nett Weight	lb(kg)	59.4(27)
Colour		Light Grey

MECHANICAL PROPERTIES

Tension Strength	lb(kN)	28000(125)
Compression Strength	lb(kN)	40000(178)
Torsion Strength	in-lb(N-m)	40000(4520)
Cantilever Strength	lb(kN)	8000(35.6)

Reference Standard: ANSI C29.9



4	Logo	WLY	HENRY	Scale	
7	Update the description and marking	YQ	Greg	Drawn	YQ
6	Update the marking	YQ	Greg	Check	MK
5	Change to the TE logo	YQ	Greg	Approve	Greg
Issue	Change	Drawn	Auth	Issue Date	22/8-2013

Title:

Solid Core
Station Post Insulator

Designation	SP-TR227PG01
TCPN	EE6135-000
Drawing No.	4754AX
Issue	7