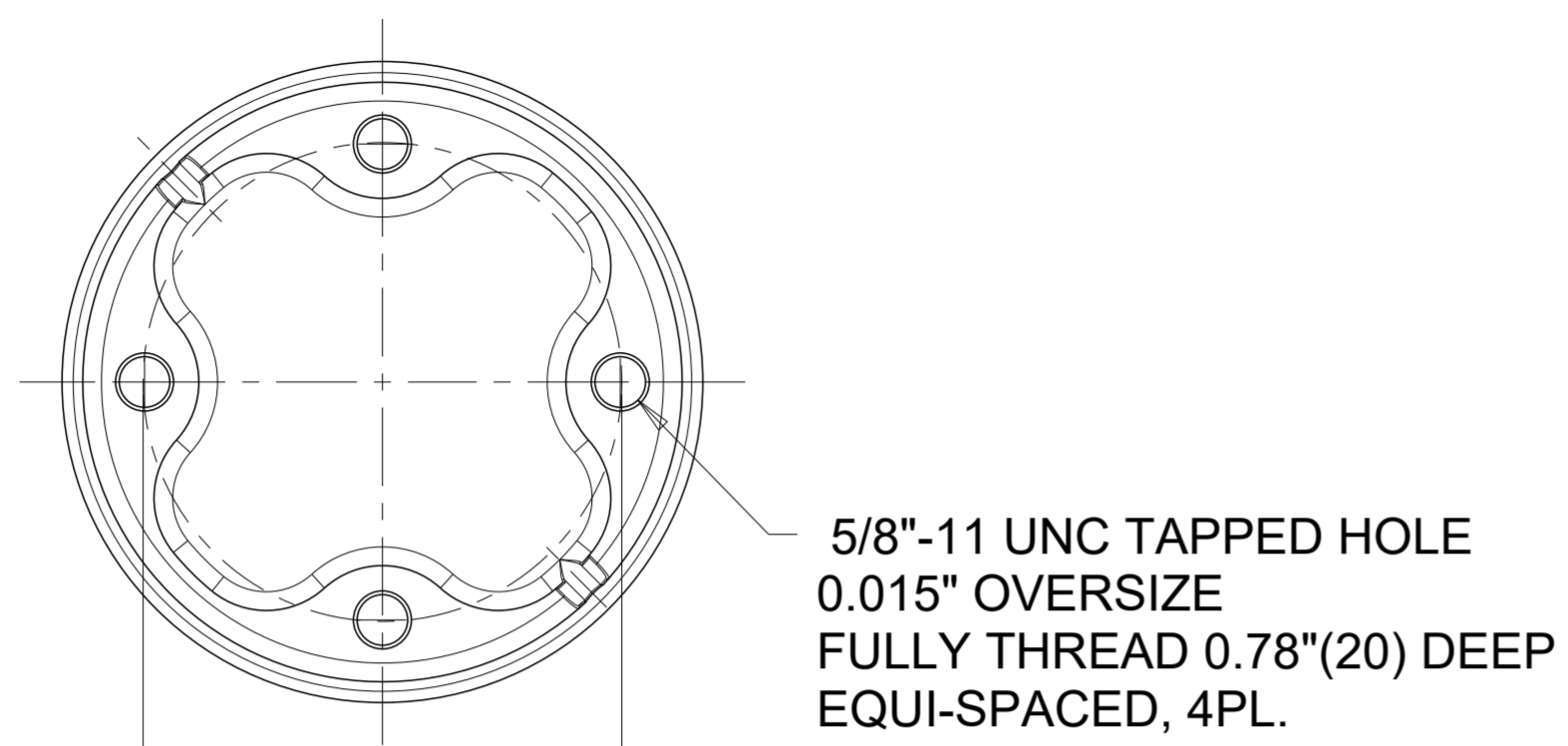


THIS DRAWING IS UNPUBLISHED. RELEASED FOR PUBLICATION
 © COPYRIGHT copyright_date BY - ALL RIGHTS RESERVED.

REVISIONS					
P	LTR	DESCRIPTION	DATE	DWN	APVD
4		CHANGE TO THE TE LOGO	-	YQ	GREG
5		UPDATE THE MARKING	-	YQ	GREG
6		CHANGE THE DESCRIPTION	-	YQ	DANELLE
7		REDRAWN IN CREO	24OCT2018	RS	KP

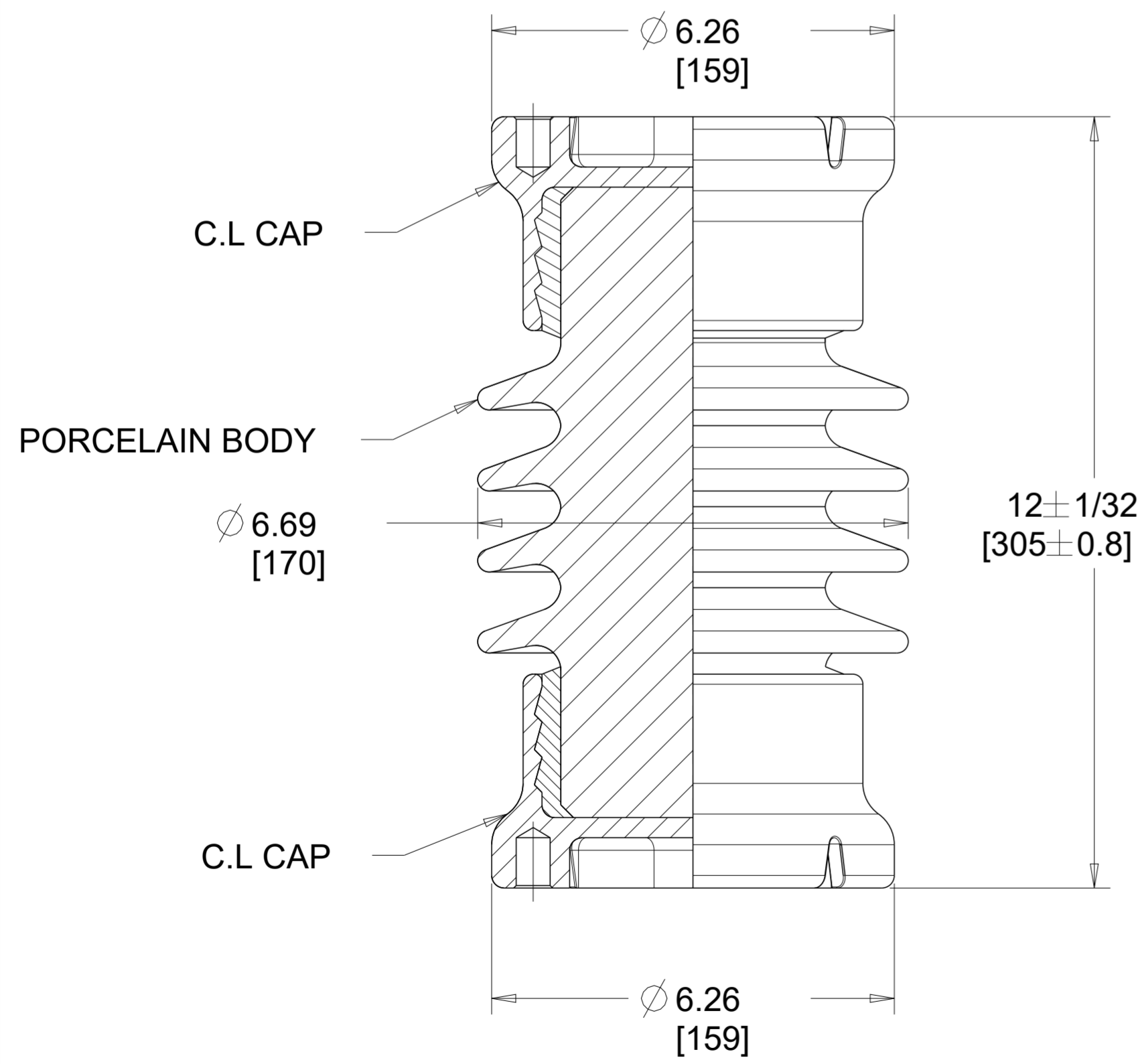


- Notes:**
1. All ferrous parts hot-dip galvanized to ASTM A153
 2. Additional mark on porcelain: Batch traceability number
 3. Reference standard ANSI C29.9
 4. Mark on porcelain: **TE**
TR 225
Month Year

Mechanical Properties		
Units	English	Metric
Tensile Strength	20,000 lb	89 kN
Compression Strength	20,000 lb	89 kN
Torsional Strength	14,000 in-lb	1582 N-m
Cantilever Strength	4,000 lb	17.8 kN

Electrical Properties	
Impulse Withstand Voltage	110 kV
Wet p.f. Frequency Withstand	45 kV
Critical Impulse Flashover Voltage, Positive	125 kV
Radio-Influence Voltage	
Test Voltage to Ground	10 kV
Max RIV at 1000kHz	50 μV

Physical Properties		
Units	English	Metric
Nominal Creepage Distance	15.5 in	394 mm
Nett Weight	33.9 lb	15.4 Kg
Gross Weight	-	-
Colour	Grey	



TE P/N: A45254-000

THIS DRAWING IS A CONTROLLED DOCUMENT.		DWN RAVI.S 23OCT2018	TE TE Connectivity		
DIMENSIONS: inch (mm)		CHK K.PUSTHAY 23OCT2018			
TOLERANCES UNLESS OTHERWISE SPECIFIED:		APVD K.PUSTHAY 23OCT2018	NAME PORCELAIN STATION POST INSULATOR, TR 225		
0 PLC ±	1 PLC ±	PRODUCT SPEC	SIZE A2	CAGE CODE 00779	DRAWING NO SP-TR225PG
2 PLC ±	3 PLC ±	APPLICATION SPEC	RESTRICTED TO		
4 PLC ±	ANGLES ±	WEIGHT	SCALE NTS SHEET 1 OF 1 REV 7		
MATERIAL	FINISH	CUSTOMER DRAWING			