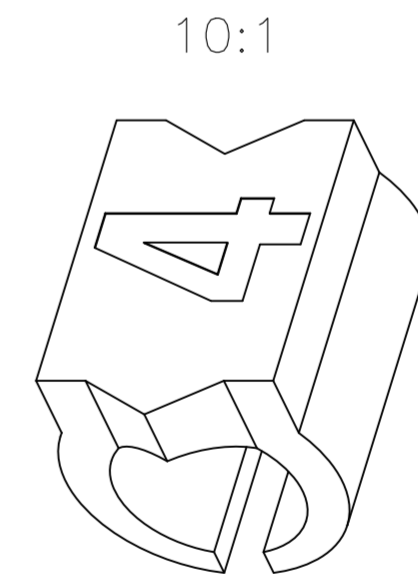
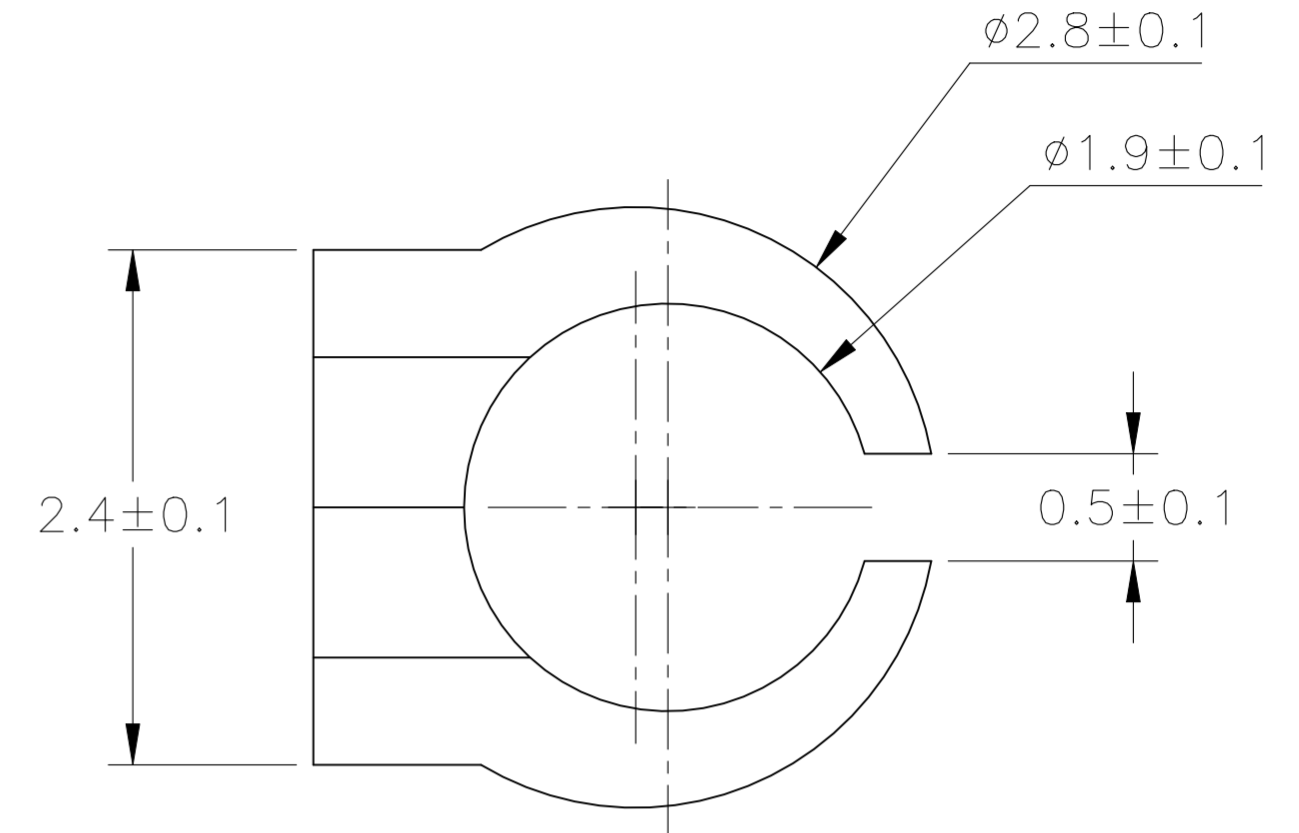
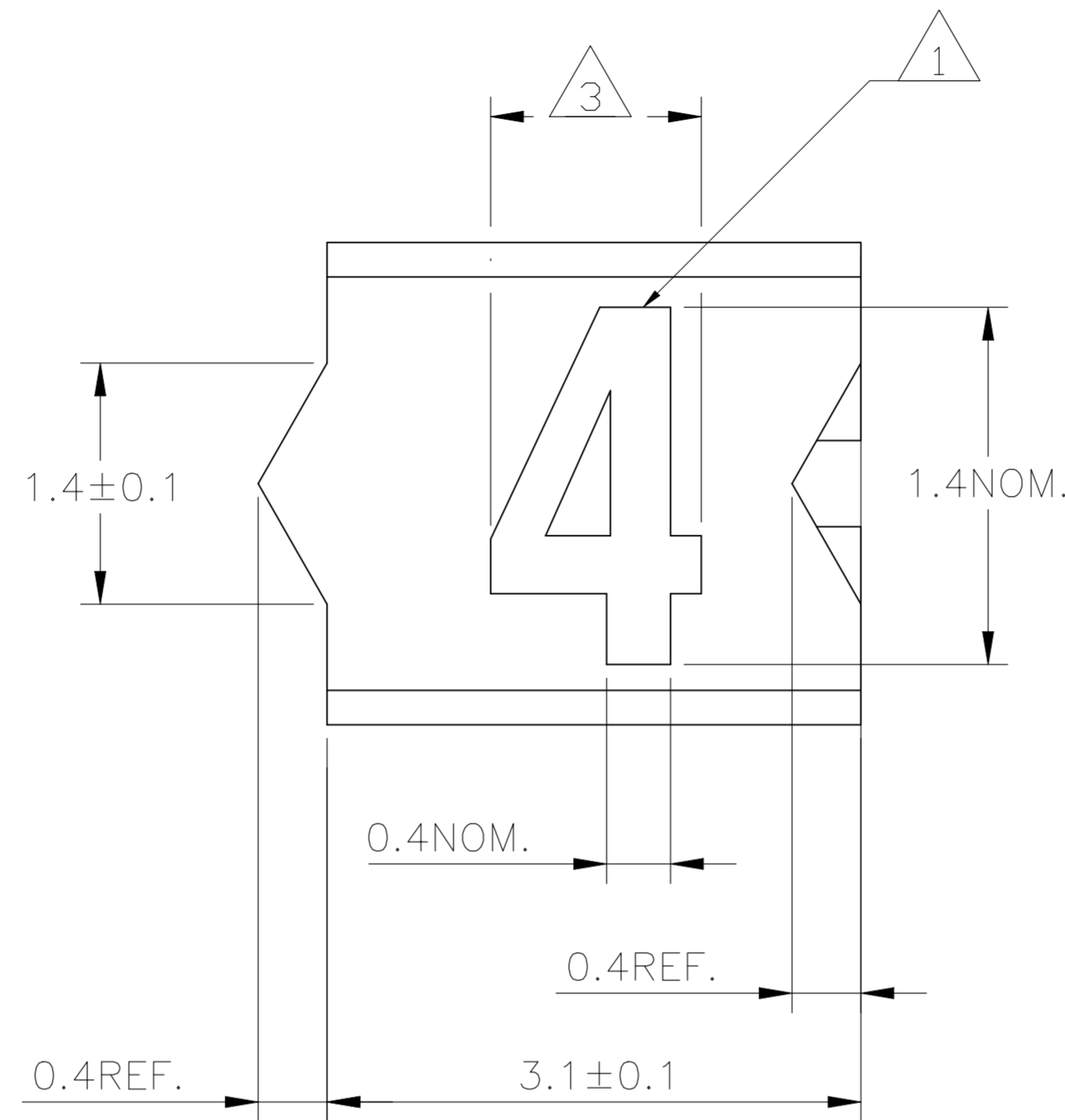
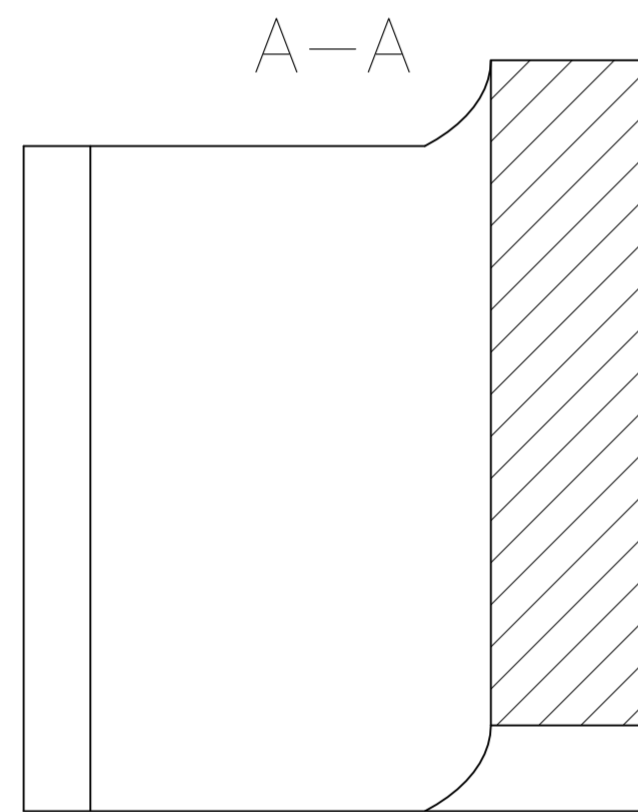
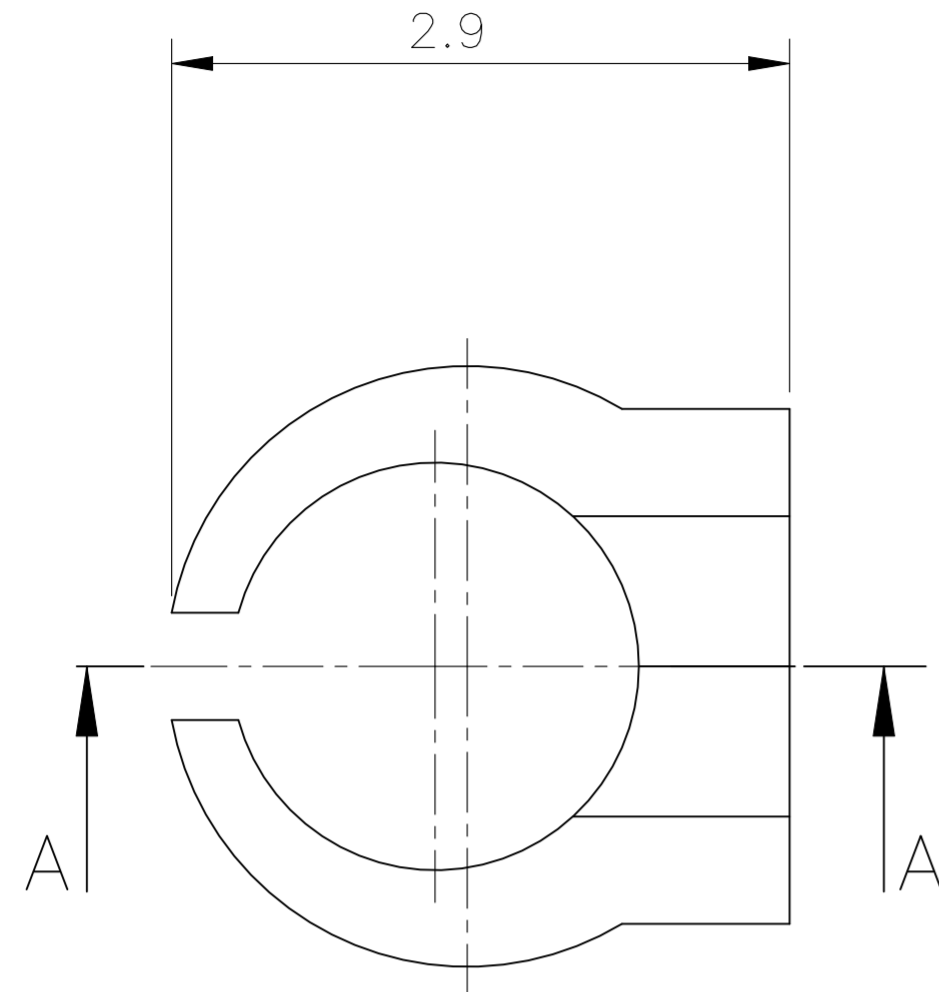


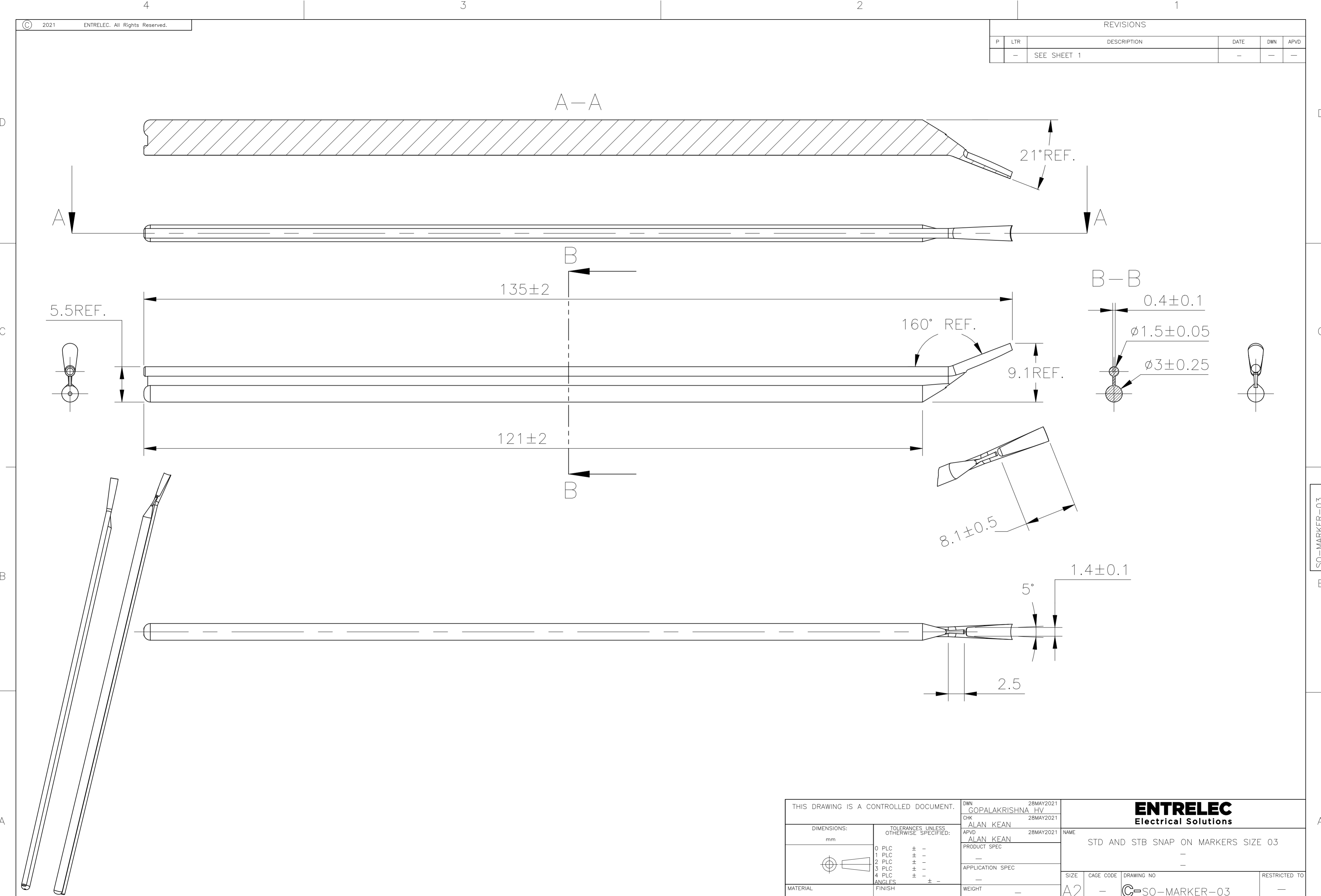
REVISIONS					
P	LTR	DESCRIPTION	DATE	DWN	APVD
1		NEW CUSTOMER DRAWING	28MAY2021	GK	AK



- NOTES:
- 1 FOR PART NUMBERS SEE SHEET 3 OF 3.
 - 2 MARK SHOULD BE CENTRALLY POSITIONED ±0.1mm
 - 3 WIDTH OF MARK DEPENDS ON CHARACTER PRINTED

THIS DRAWING IS A CONTROLLED DOCUMENT.		DWN GOPALAKRISHNA HV 28MAY2021	ENTRELEC Electrical Solutions		
DIMENSIONS: mm		CHK ALAN KEAN 28MAY2021			
TOLERANCES UNLESS OTHERWISE SPECIFIED:		APVD ALAN KEAN 28MAY2021	NAME STD AND STB SNAP ON MARKERS SIZE 03		
0 PLC ± -		PRODUCT SPEC	-		
1 PLC ± -		APPLICATION SPEC	-		
2 PLC ± -		WEIGHT	SIZE A2	CAGE CODE -	DRAWING NO C=SO-MARKER-03
3 PLC ± -		FINISH	RESTRICTED TO -		
4 PLC ± -			SCALE NTS	SHEET 1 of 3	REV 1
ANGLES ± -		CUSTOMER DRAWING			

REVISIONS					
P	LTR	DESCRIPTION	DATE	DWN	APVD
-	-	SEE SHEET 1	-	-	-



THIS DRAWING IS A CONTROLLED DOCUMENT.		DWN GOPALAKRISHNA HV 28MAY2021	ENTRELEC Electrical Solutions		
DIMENSIONS: mm		CHK ALAN KEAN 28MAY2021			
TOLERANCES UNLESS OTHERWISE SPECIFIED:		APVD ALAN KEAN 28MAY2021	CAGE CODE -		DRAWING NO C=SO-MARKER-03
0 PLC ± -		PRODUCT SPEC -	RESTRICTED TO -		
1 PLC ± -		APPLICATION SPEC -	SCALE NTS		
2 PLC ± -		WEIGHT -	SHEET 2 of 3		
3 PLC ± -		MATERIAL -	REV 1		
4 PLC ± -		FINISH -	CUSTOMER DRAWING		
ANGLES ± -					

SO-MARKER-03

REVISIONS

P	LTR	DESCRIPTION	DATE	DWN	APVD
-	-	SEE SHEET 1	-	-	-

ENTRELEC PART NO.	DESCRIPTION	TE PART NO.
1SET511177R0000	SO-Marker-03-300-A-WH	167476-000
1SET511178R0000	SO-Marker-03-300-B-WH	213166-000
1SET511179R0000	SO-Marker-03-300-C-WH	586908-000
1SET511180R0000	SO-Marker-03-300-D-WH	845704-000
1SET511181R0000	SO-Marker-03-300-E-WH	916196-000
1SET511182R0000	SO-Marker-03-300-F-WH	032218-000
1SET511183R0000	SO-Marker-03-300-G-WH	122028-000
1SET511184R0000	SO-Marker-03-300-H-WH	801234-000
1SET511185R0000	SO-Marker-03-300-I-WH	761148-000
1SET511186R0000	SO-Marker-03-300-J-WH	000666-000
1SET511187R0000	SO-Marker-03-300-K-WH	384850-000
1SET511188R0000	SO-Marker-03-300-L-WH	053232-000
1SET511189R0000	SO-Marker-03-300-M-WH	236988-000
1SET511190R0000	SO-Marker-03-300-N-WH	581086-000
1SET511191R0000	SO-Marker-03-300-P-WH	969958-000
1SET511192R0000	SO-Marker-03-300-Q-WH	185576-000
1SET511193R0000	SO-Marker-03-300-R-WH	559060-000
1SET511194R0000	SO-Marker-03-300-S-WH	376500-000
1SET511195R0000	SO-Marker-03-300-T-WH	006340-000
1SET511196R0000	SO-Marker-03-300-U-WH	593358-000
1SET511197R0000	SO-Marker-03-300-V-WH	875121-000
1SET511198R0000	SO-Marker-03-300-W-WH	026896-000
1SET511199R0000	SO-Marker-03-300-X-WH	593434-000
1SET511200R0000	SO-Marker-03-300-Y-WH	982978-000
1SET511201R0000	SO-Marker-03-300-Z-WH	033694-000
1SET511202R0000	SO-Marker-03-300-(DOT)-WH	2-1768042-3
1SET511203R0000	SO-Marker-03-300-(ETH)-WH	351404-000
1SET511204R0000	SO-Marker-03-300-(MIN)-WH	3-1768042-0
1SET511205R0000	SO-Marker-03-300-(PLS)-WH	3-1768042-3
1SET511206R0000	SO-Marker-03-300-(SLH)-WH	489958-000
1SET511207R0000	SO-Marker-03-300-0-WH	321874-000
1SET511208R0000	SO-Marker-03-300-1-WH	496764-000
1SET511209R0000	SO-Marker-03-300-2-WH	369880-000
1SET511210R0000	SO-Marker-03-300-3-WH	434716-000
1SET511211R0000	SO-Marker-03-300-4-WH	092790-000
1SET511212R0000	SO-Marker-03-300-5-WH	403072-000
1SET511213R0000	SO-Marker-03-300-6-WH	571230-000
1SET511214R0000	SO-Marker-03-300-7-WH	345774-000
1SET511215R0000	SO-Marker-03-300-8-WH	446638-000
1SET511216R0000	SO-Marker-03-300-9-WH	070440-000
1SET511217R0000	SO-Marker-03-300-A-YL	345038-000
1SET511218R0000	SO-Marker-03-300-B-YL	588040-000
1SET511219R0000	SO-Marker-03-300-C-YL	4-1768042-2
1SET511220R0000	SO-Marker-03-300-D-YL	4-1768042-4
1SET511221R0000	SO-Marker-03-300-E-YL	4-1768042-7
1SET511222R0000	SO-Marker-03-300-F-YL	886822-000
1SET511223R0000	SO-Marker-03-300-G-YL	5-1768042-1

ENTRELEC PART NO.	DESCRIPTION	TE PART NO.
1SET511224R0000	SO-Marker-03-300-H-YL	361720-000
1SET511225R0000	SO-Marker-03-300-I-YL	413464-000
1SET511226R0000	SO-Marker-03-300-J-YL	5-1768042-4
1SET511227R0000	SO-Marker-03-300-K-YL	657680-000
1SET511228R0000	SO-Marker-03-300-L-YL	5-1768042-6
1SET511229R0000	SO-Marker-03-300-M-YL	5-1768042-8
1SET511230R0000	SO-Marker-03-300-N-YL	6-1768042-1
1SET511231R0000	SO-Marker-03-300-P-YL	6-1768042-3
1SET511232R0000	SO-Marker-03-300-Q-YL	755512-000
1SET511233R0000	SO-Marker-03-300-R-YL	6-1768042-5
1SET511234R0000	SO-Marker-03-300-S-YL	992474-000
1SET511235R0000	SO-Marker-03-300-T-YL	6-1768042-8
1SET511236R0000	SO-Marker-03-300-U-YL	6-1768042-9
1SET511237R0000	SO-Marker-03-300-V-YL	7-1768042-0
1SET511238R0000	SO-Marker-03-300-W-YL	7-1768042-1
1SET511239R0000	SO-Marker-03-300-X-YL	666390-000
1SET511240R0000	SO-Marker-03-300-Y-YL	7-1768042-2
1SET511241R0000	SO-Marker-03-300-Z-YL	956734-000
1SET511242R0000	SO-Marker-03-300-(DOT)-YL	4-1768042-6
1SET511243R0000	SO-Marker-03-300-(ETH)-YL	4-1768042-8
1SET511244R0000	SO-Marker-03-300-(MIN)-YL	5-1768042-9
1SET511245R0000	SO-Marker-03-300-(PLS)-YL	6-1768042-4
1SET511246R0000	SO-Marker-03-300-(SLH)-YL	6-1768042-7
1SET511247R0000	SO-Marker-03-300-0-YL	768714-000
1SET511248R0000	SO-Marker-03-300-1-YL	197036-000
1SET511249R0000	SO-Marker-03-300-2-YL	610528-000
1SET511250R0000	SO-Marker-03-300-3-YL	770010-000
1SET511251R0000	SO-Marker-03-300-4-YL	499680-000
1SET511252R0000	SO-Marker-03-300-5-YL	998356-000
1SET511253R0000	SO-Marker-03-300-6-YL	518144-000
1SET511254R0000	SO-Marker-03-300-7-YL	443352-000
1SET511255R0000	SO-Marker-03-300-8-YL	774414-000
1SET511256R0000	SO-Marker-03-300-9-YL	090056-000
1SET511257R0000	SO-Marker-03-300-0-BK	4-1768037-8
1SET511258R0000	SO-Marker-03-300-1-BR	5-1768037-3
1SET511259R0000	SO-Marker-03-300-2-RD	5-1768037-8
1SET511260R0000	SO-Marker-03-300-3-OR	6-1768037-3
1SET511261R0000	SO-Marker-03-300-5-GN	7-1768037-3
1SET511262R0000	SO-Marker-03-300-6-BL	7-1768037-8
1SET511263R0000	SO-Marker-03-300-7-PR	8-1768037-3
1SET511264R0000	SO-Marker-03-300-8-GR	8-1768037-8

THIS DRAWING IS A CONTROLLED DOCUMENT.		DWN GOPALAKRISHNA HV 28MAY2021	ENTRELEC Electrical Solutions	
DIMENSIONS: mm		CHK ALAN KEAN 28MAY2021		
TOLERANCES UNLESS OTHERWISE SPECIFIED:		APVD ALAN KEAN 28MAY2021	NAME STD AND STB SNAP ON MARKERS SIZE 03	
0 PLC ± - 1 PLC ± - 2 PLC ± - 3 PLC ± - 4 PLC ± - ANGLES ± -		PRODUCT SPEC -	-	
MATERIAL -		APPLICATION SPEC -	SIZE A2	CAGE CODE -
FINISH -		WEIGHT -	DRAWING NO C=SO-MARKER-03	
CUSTOMER DRAWING			RESTRICTED TO -	SCALE NTS
			SHEET 3 of 3	REV 1