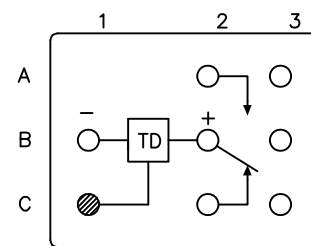
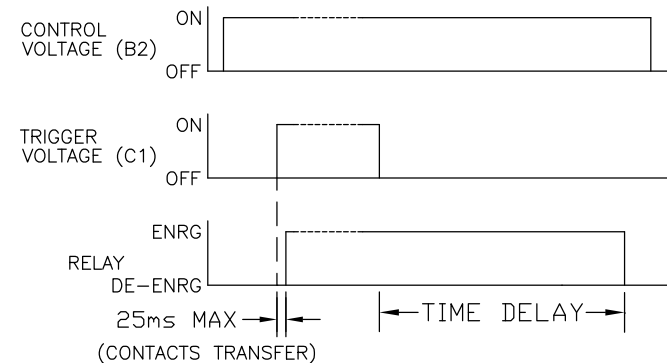


CONTROL VOLTAGE: 20 TO 29VDC  
 CURRENT CONSUMPTION: 100mA MAX @29VDC  
 ON TIME: 4 SEC ±1 SEC  
 OPERATION: WITH CONTROL VOLTAGE APPLIED BETWEEN +B2 AND -B1 AND TRIGGER VOLTAGE APPLIED FROM +C1 TO -B1, THE RELAY WILL ENERGIZE. WHEN TRIGGER VOLTAGE IS REMOVED THE RELAY WILL DE-ENERGIZE AFTER THE SET TIME DELAY.  
 CONTACT FORM: SPDT  
 CONTACT RATING: 5A INDUCTIVE @ 28 Vdc, 200mH  
 CONTACT LIFE: 50,000 CYCLES MIN  
 AMBIENT TEMP OPER.: -55°C TO +71°C  
 VIBRATION: 10-2000Hz, 20G's  
 SHOCK: 50G's, 11±1ms 1/2 SINE, 3 AXIS  
 ALTITUDE: SEA LEVEL TO 70,000 FT  
 HUMIDITY: PER MIL-STD-83726  
 SALT SPRAY: PER MIL-STD-83726

WEIGHT: 4oz MAX  
 CONSTRUCTION: HERMETICALLY SEALED STEEL HOUSING  
 FINISH: TIN PLATED PER MIL-T-10727, TYPE I.



CIRCUIT DIAGRAM.  
(TERMINAL VIEW)



**CUSTOMER DRAWING**

DESIGNATOR	ITEM	DWG. NO.	QTY.	NOMENCLATURE OR DESCRIPTION
THIRD ANGLE PROJECTION				<b>TYCO ELECTRONICS</b> Kilovac Division Ph. 805-220-2020 Fax 805-220-2075 550 Linden Ave, Carpinteria, CA 93013
ALL DIMENSIONS ARE IN INCHES UNLESS OTHERWISE SPECIFIED. Block Tolerances are not applied if values are set to zero. FRACTIONS DECIMALS ANGLES ±1/64 .XXX = ±.005 ± 1°				BILL OF MATERIALS TITLE: RELAY, TIME DELAY 4S ECD No. 15346 REV. B TYCO ELECTRONICS NO. KILOVAC NO. <b>SD-</b> WTD-106
CAGE CODE	EDITED BY	EFTV DATE	APPROVED BY	APRV DATE
18741	RM	02-19-09	TN	02-19-09
SCALE 1.5:1		DO NOT SCALE DRAWING		SHEET 1 of 1