

HIGH VOLTAGE VACUUM RELAY

Features

Physical:

- Hermetically Sealed: arc contained
- Maintenance free

Environmental:

- Temperature range -55°C to 125°C
- 50G Shock



Preliminary Specifications.
Subject to change.

CI TechnologiesTM
advanced control electronic solutions

R:\salesdrw\IN_PROGRESS\jmc\all\KC series\KC-18_Series_sales_dwg_B.doc

P.O. Box 4422, Santa Barbara, CA 93140
Phone (805) 684-4560 Fax (805) 684-9679
E-Mail: info@ciitech.com
Internet: <http://www.ciitech.com>

TITLE

HIGH VOLTAGE VACUUM RELAY

PREP. BY TANNER 94/7/7

DWG NO.

KC-18 SERIES

CHKD. BY GHIRANN 96/1/5

CAGE CODE

18741

SCALE

SHEET

1 of 7

ENG APRVL GHIRANN 94/8/3

General Specifications

B

Physical Data

Units

Contact Arrangement		SPDT
Form		C
Weight	oz	3

Environmental Data

Shock, 11ms ½ sine (operating)	G _{peak}	50
Vibration, 10 G's peak	Hz	55-500
Operating Temperature Range	°C	-55 to +125

Electrical Data

Test Voltage (dc or 60 Hz)	kV _{peak}	17
Rated Operating Voltage dc or 60 Hz	kV _{peak}	15
Continuous Current Carry, max. dc or 60 Hz	A RMS	30
Coil Hipot (60 Hz)	V RMS	500
Contact Capacitance between open contacts	pF	0.5
Contact Capacitance open contacts to ground	pF	1.0
Contact Resistance, max. ¹	Ω	0.025
Operate Time, max.	ms	15
Release Time, max.	ms	9
Mechanical Life	cycles	1E6

Relay Part Number

Units

KC-18

Coil Voltage, nominal	Vdc	26.5
Pick-up voltage, max.	Vdc	16
Drop-out Voltage	Vdc	1-10
Coil Resistance	Ω ± 10%	180

NOTE: Rating listed are for 25°C sea level conditions. The relay must be grounded.

1. Contact resistance for gas filled relays is measured at 28 Vdc, 1 Amp.

WARNING: When switching under load, the following conditions must be met:

Above 500V	Below or equal to 500V
Relay must be on the ground side of the load	Relay may be on the supply side of the load, but the base must be floating.
Base must be grounded.	



P.O. Box 4422, Santa Barbara, CA 93140
 Phone: (805) 684-4560 Fax: (805) 684-9679
 E-Mail: info@ciitech.com
 Internet: <http://www.ciitech.com>

KC-18 SERIES

THIRD ANGLE PROJECTION

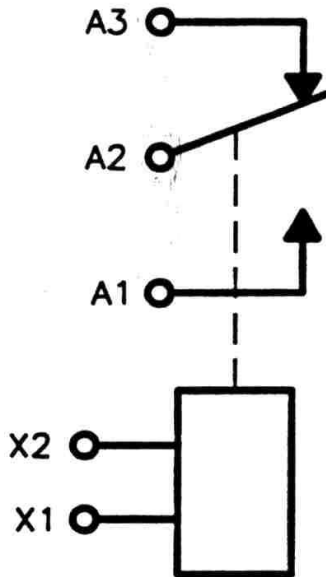


THIS DRAWING
 PREPARED IN
 ACCORDANCE WITH

CAGE CODE

SCALE

SHEET



P.O. Box 4422, Santa Barbara, CA 93140
 Phone: (805) 684-4560 Fax: (805) 684-9679
 E-Mail: info@ciitech.com
 Internet: <http://www.ciitech.com>

KC-18 SERIES

THIRD ANGLE PROJECTION



THIS DRAWING
 PREPARED IN
 ACCORDANCE WITH

CAGE CODE

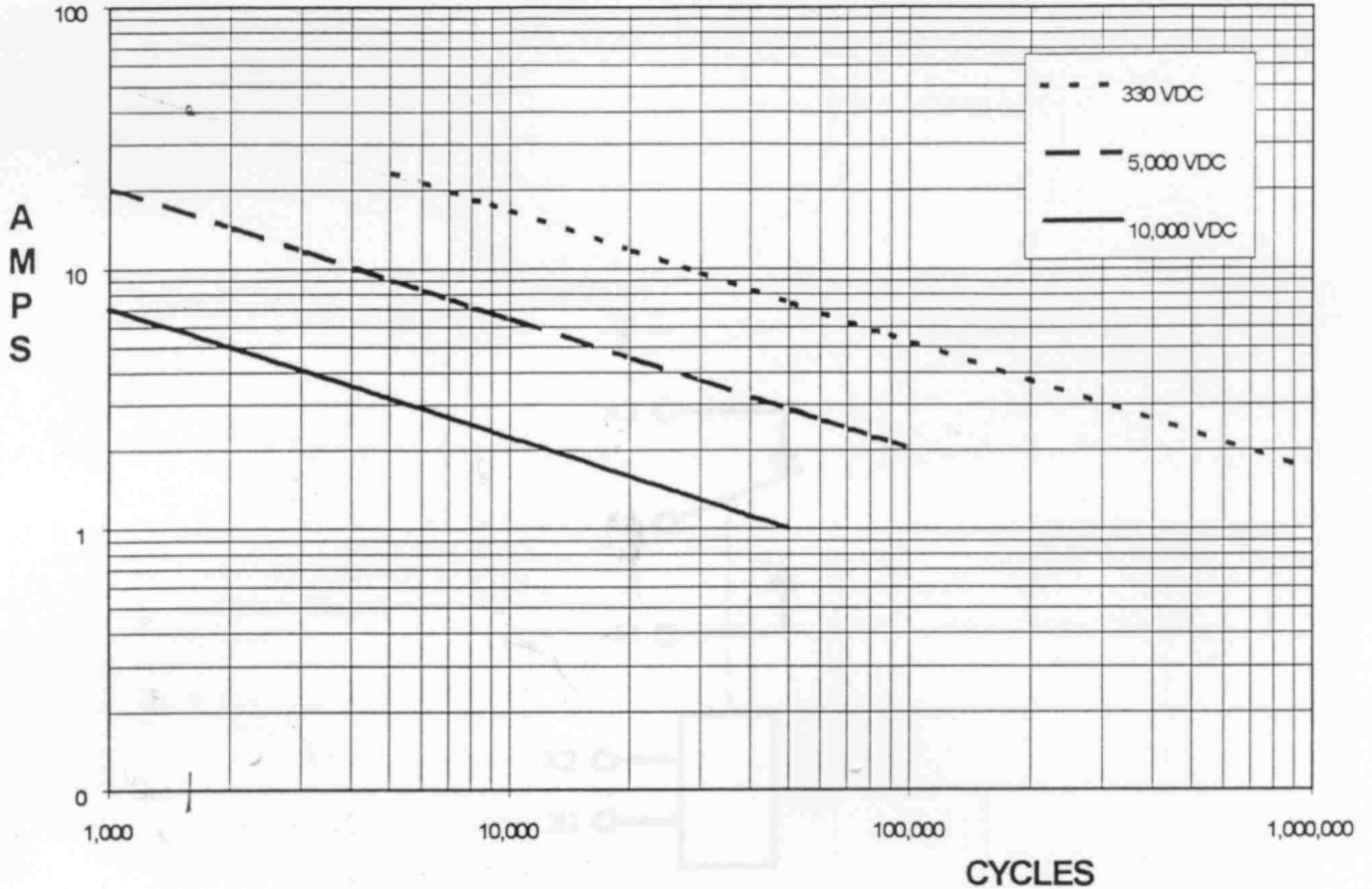
40744

SCALE

SHEET

0 of 7

KC-18
HOT SWITCH RATING



Based on data extrapolated from qualification data with resistive load. Since each application is unique, user is encouraged to verify rating in actual application.



P.O. Box 4422, Santa Barbara, CA 93140
 Phone: (805) 684-4560 Fax: (805) 684-9679
 E-Mail: info@ciitech.com
 Internet: <http://www.ciitech.com>

KC-18 SERIES

THIRD ANGLE PROJECTION



THIS DRAWING
 PREPARED IN
 ACCORDANCE WITH

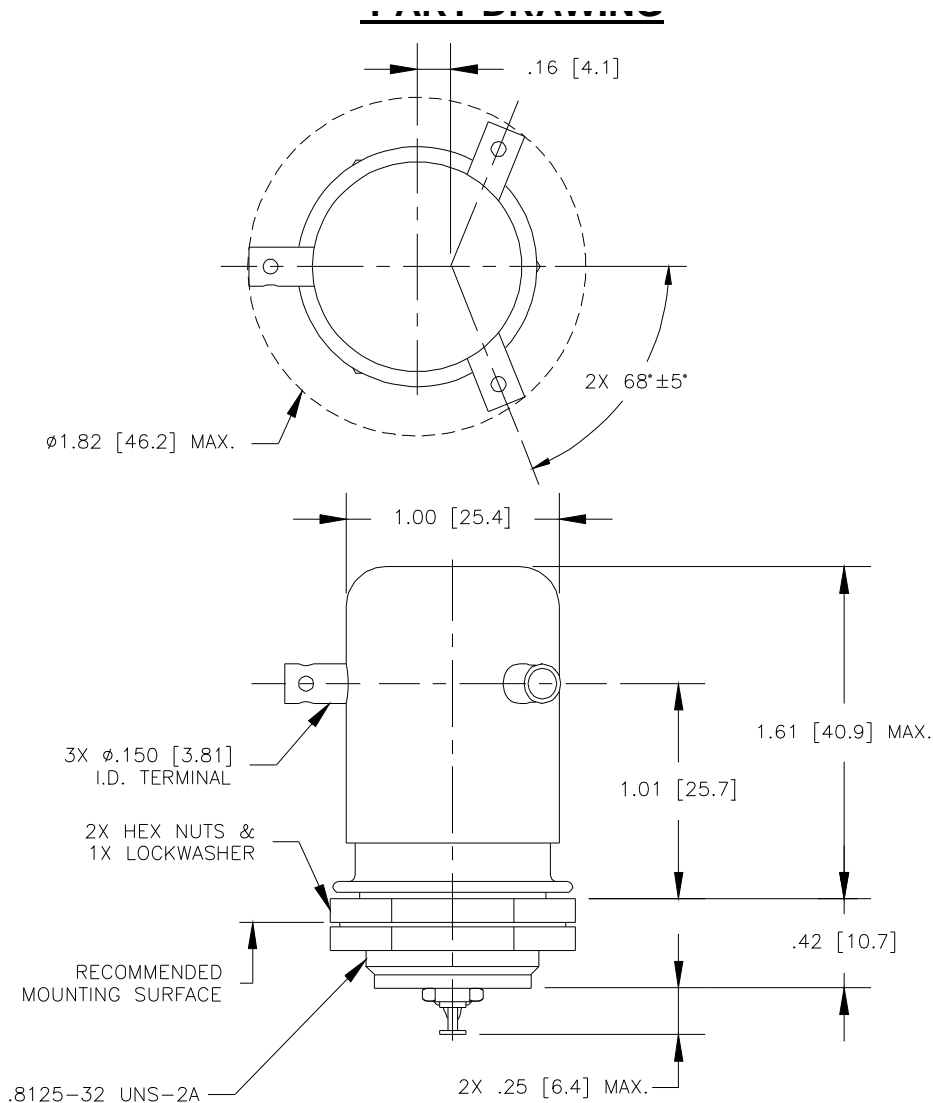
CAGE CODE

40744

SCALE

SHEET

4 of 7



KC-18

Dimensions in Inches
 (Dimensions in Parentheses are in Millimeters)
 Tolerances Accepted as Noted
 $.xx = \pm .03$
 $.xxx = \pm .010$
 $\angle x^\circ = \pm 2^\circ$
 DO NOT SCALE DWG.



P.O. Box 4422, Santa Barbara, CA 93140
 Phone: (805) 684-4560 Fax: (805) 684-9679
 E-Mail: info@ciitech.com
 Internet: <http://www.ciitech.com>

KC-18 SERIES

THIRD ANGLE PROJECTION



THIS DRAWING
 PREPARED IN
 ACCORDANCE WITH

CAGE CODE

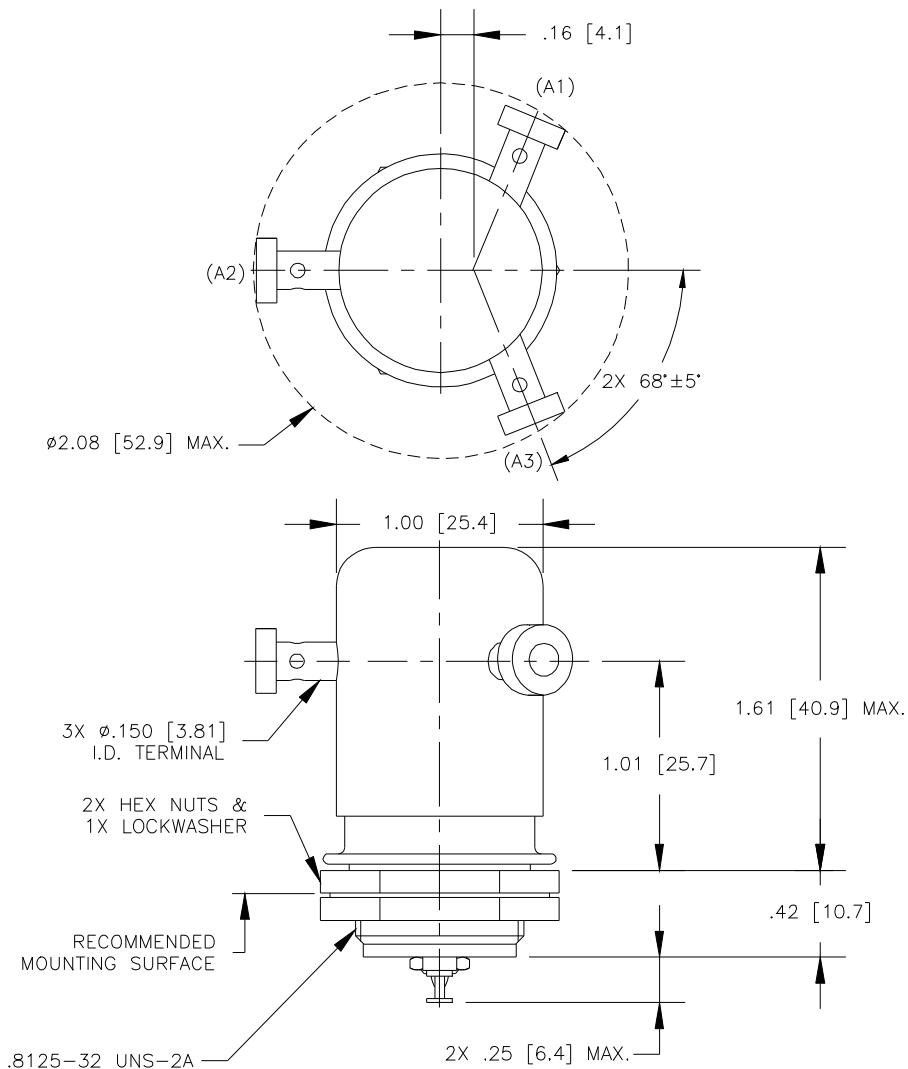
10744

SCALE

SHEET

1 of 1

PART DRAWING



KC-18C

Dimensions in Inches
 (Dimensions in Parentheses are in
 Millimeters)
 Tolerances Accepted as Noted
 .xx = $\pm .03$
 .xxx = $\pm .010$
 $\angle x^{\circ} = \pm 2^{\circ}$
DO NOT SCALE DWG.



P.O. Box 4422, Santa Barbara, CA 93140
 Phone: (805) 684-4560 Fax: (805) 684-9679
 E-Mail: info@ciitech.com
 Internet: <http://www.ciitech.com>

KC-18 SERIES

THIRD ANGLE PROJECTION



THIS DRAWING
 PREPARED IN
 ACCORDANCE WITH

CAGE CODE

SCALE

SHEET

Revisions

B

REV.	DESCRIPTION	DATE	APP.
A	INITIAL RELEASE NPR 9257	11/15/96	G. GHIRANN
B	ADD PG. 6 KC-18C VERSION DCO 13626	09/06/01	K. LIBKE



P.O. Box 4422, Santa Barbara, CA 93140
Phone: (805) 684-4560 Fax: (805) 684-9679
E-Mail: info@ciitech.com
Internet: <http://www.ciitech.com>

KC-18 SERIES

THIRD ANGLE PROJECTION



THIS DRAWING
PREPARED IN
ACCORDANCE WITH

CAGE CODE

40744

SCALE

SHEET

7 of 7