

High Voltage Vacuum Relay

Features

Physical:

- Hermetically Sealed: arc contained
- Maintenance free

Environmental:

- Temperature range -55°C to 125°C
- 30G Shock

Ratings:

- 15 kVdc
- 5 kV @ 32 MHz
- 15 Adc carry

Coil Voltage:

- 12, 26.5, 115 Vdc Standard



P.O. Box 4422, Santa Barbara, CA 93140
 Phone (805) 684-4560 Fax (805) 684-9679
 E-Mail: info@ciitech.com
 Internet: <http://www.ciitech.com/>

TITLE

High Voltage Vacuum Relay

PREP. BY	JP	6-1-82
CHKD. BY	R. Greaves	9-3-99

DWG NO.	H-8	
CAGE CODE	18741	SCALE NA
		SHEET 1 of 5

General Specifications

F

Physical Data

	Units	H-8
Contact Arrangement		SPDT
Form		C
Weight	oz	3

Environmental Data

Shock, 11ms ½ sine	g_{peak}	30
Vibration, 10 g_{peak}	Hz	55-500
Operating Temperature Range	°C	-55 to +125

Electrical Data

Test Voltage (dc or 60 Hz)	kV_{peak}	20
Rated Operating Voltage		
dc or 60 Hz	kV_{peak}	15
2.5 MHz	kV_{peak}	12
16 MHz	kV_{peak}	10
32 MHz	kV_{peak}	5
Continuous Current Carry		
dc or 60 Hz	A RMS	15
2.5 MHz	A RMS	10
16 MHz	A RMS	6
32 MHz	A RMS	4
Coil Hi-Pot	Vrms	500
Contact Capacitance		
Between Open Contacts	pF	1.0
Open Contacts to Ground	pF	1.5
Contact Resistance, maximum	Ohms	0.015

Mechanical Data

Operate Time, Maximum	ms	15
Release Time, Maximum	ms	15
Mechanical Life	cycles	1,000,000

1. RATINGS LISTED ARE FOR 25 °C SEA LEVEL CONDITIONS.
2. RELAY BASE MUST BE GROUNDED



P.O. Box 4422, Santa Barbara, CA 93140
 Phone: (805) 684-4560 Fax: (805) 684-9679
 E-Mail: info@ciitech.com
 Internet: <http://www.ciitech.com>

H-8

THIRD ANGLE PROJECTION



THIS DRAWING
 PREPARED IN
 ACCORDANCE WITH

CAGE CODE

10744

SCALE

N/A

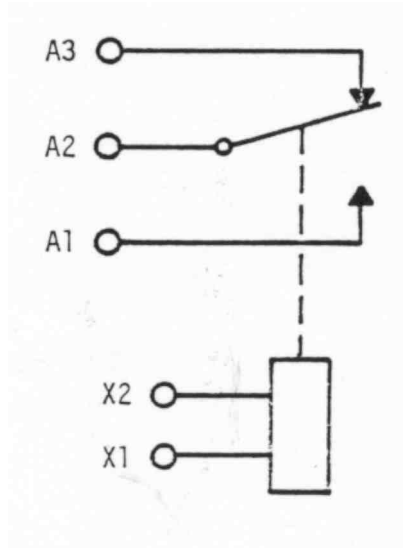
SHEET

01 of 5

Coil & Electronics Data

	Units	H-8/12VDC	H-8	H-8/115VDC
Coil Voltage, nominal	Vdc	12	26.5	115
Pickup Voltage, maximum	Vdc	8	16	80
Drop-out Voltage	Vdc	.5-5	1-10	5-50
Coil Resistance (± 10%)	Ohms	60	265	3500

Schematic



P.O. Box 4422, Santa Barbara, CA 93140
 Phone: (805) 684-4560 Fax: (805) 684-9679
 E-Mail: info@ciitech.com
 Internet: <http://www.ciitech.com>

H-8

THIRD ANGLE PROJECTION



THIS DRAWING
 PREPARED IN
 ACCORDANCE WITH

CAGE CODE

40744

SCALE

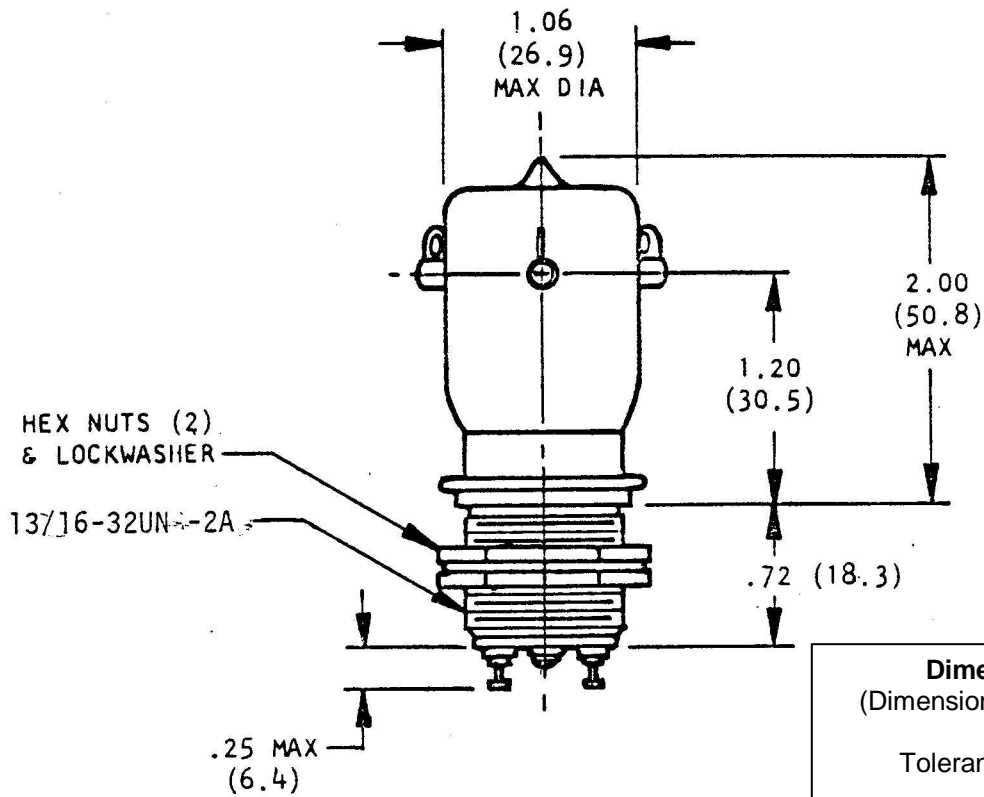
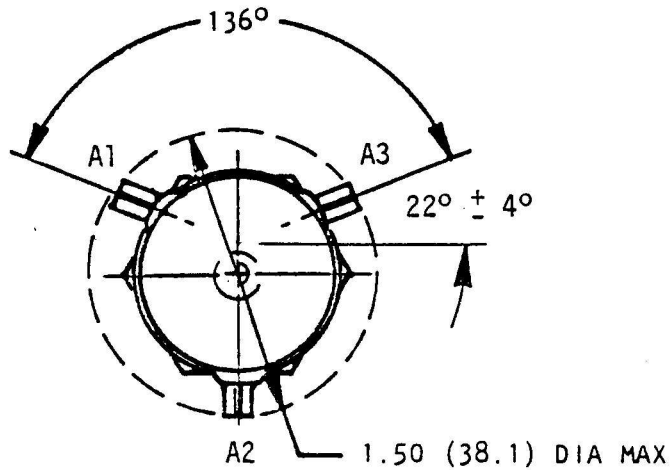
N/A

SHEET

2 of 5

Part Drawing

F



Dimensions in Inches
 (Dimensions in Parentheses are in Millimeters)
 Tolerances except as noted
 .xx = ±.03
 .xxx = ±.010
 ∠ x° = ± 2°
DO NOT SCALE DWG.



P.O. Box 4422, Santa Barbara, CA 93140
 Phone: (805) 684-4560 Fax: (805) 684-9679
 E-Mail: info@ciitech.com
 Internet: <http://www.ciitech.com>

H-8

THIRD ANGLE PROJECTION



THIS DRAWING
 PREPARED IN
 ACCORDANCE WITH

CAGE CODE

SCALE

SHEET

Revisions

REV.	DESCRIPTION	DATE	APP.
A	Initial Release per ECO 6359	82/06/02	LL
B	Revised Pages 1 and 2 ECO 6394	82/07/06	HJ
C	Revised Pages 1, 2, and 4 ECO 7702	87/05/08	DKP
D	Revised Pages 1, 2, and 4 ECO 7815	97/10/07	RG
E	Revised Pages 1, 3, and 4 ECO 8319	90/02/13	RG
F	New Template DCO 11856	99/07/14	RJG



P.O. Box 4422, Santa Barbara, CA 93140
 Phone: (805) 684-4560 Fax: (805) 684-9679
 E-Mail: info@ciitech.com
 Internet: <http://www.ciitech.com>

H-8

THIRD ANGLE PROJECTION



THIS DRAWING
 PREPARED IN
 ACCORDANCE WITH

CAGE CODE

40744

SCALE

N/A

SHEET

5 of 5