

High Voltage Vacuum Relay

Features

Physical:

- Hermetically Sealed: arc contained
- Maintenance free
- Low contact resistance
- Vacuum dielectric, tungsten contacts for hot switching

Environmental:

- Temperature range -55°C to 125°C
- 15G Shock

Ratings:

- 50 kVdc
- 30 Adc carry

Coil Voltage:

- 26.5 Vdc



CII Technologies™
advanced control electronic solutions

P.O. Box 4422, Santa Barbara, CA 93140
Phone (805) 684-4560 Fax (805) 684-9679

E-Mail: info@ciitech.com

Internet: <http://www.ciitech.com/>

TITLE

High Voltage Vacuum Relay

PREP. BY

JP

6-1-82

DWG NO.

H-25

CHKD. BY

RG

10-7-87

CAGE CODE

18741

SCALE

SHEET

General Specifications

E

Physical Data

Units

Contact Arrangement		SPDT
Form		C
Weight, Maximum	oz	30

Environmental Data

Shock, 11ms ½ sine	g_{peak}	15
Vibration, 10 g_{peak}	Hz	55-500
Operating Temperature Range	°C	-55 to +125

Electrical Data

Test Voltage (dc or 60 Hz)	kV peak	60
Rated Operating Voltage (dc or 60 Hz)	kV peak	50
Coil Hi-Pot (60 Hz)	V RMS	500
Continuous Current Carry, Contacts Closed, Maximum (Adc or 60 Hz)	RMS	30
Contact Resistance, Maximum	Ohms	0.015
Mechanical Life	Cycles	500,000

Mechanical Data

Operate Time	ms	60
Release Time	ms	60

1. RATINGS ARE FOR 25 °C SEA LEVEL CONDITIONS.
2. RELAY BASE MUST BE GROUNDED



P.O. Box 4422, Santa Barbara, CA 93140
 Phone: (805) 684-4560 Fax: (805) 684-9679
 E-Mail: info@ciitech.com
 Internet: <http://www.ciitech.com>

H-25

THIRD ANGLE PROJECTION



THIS DRAWING
 PREPARED IN
 ACCORDANCE WITH

CAGE CODE

40744

SCALE

N/A

SHEET

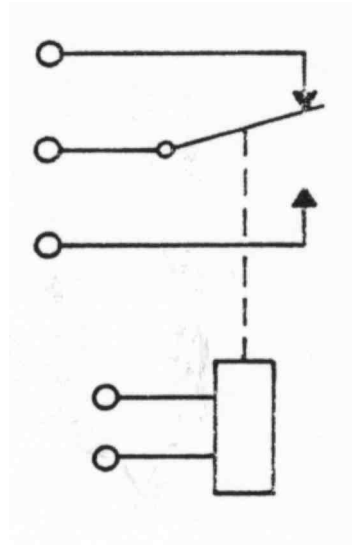
0 of 5

Coil & Electronics Data

E

	Units	H-25
Coil Voltage, Nominal	Vdc	26.5
Pickup Voltage	Vdc	16
Drop-out	Vdc	1-10
Coil Resistance ($\pm 10\%$)	Ohms	120

Schematic



P.O. Box 4422, Santa Barbara, CA 93140
 Phone: (805) 684-4560 Fax: (805) 684-9679
 E-Mail: info@ciitech.com
 Internet: <http://www.ciitech.com>

H-25

THIRD ANGLE PROJECTION



THIS DRAWING
 PREPARED IN
 ACCORDANCE WITH

CAGE CODE

10744

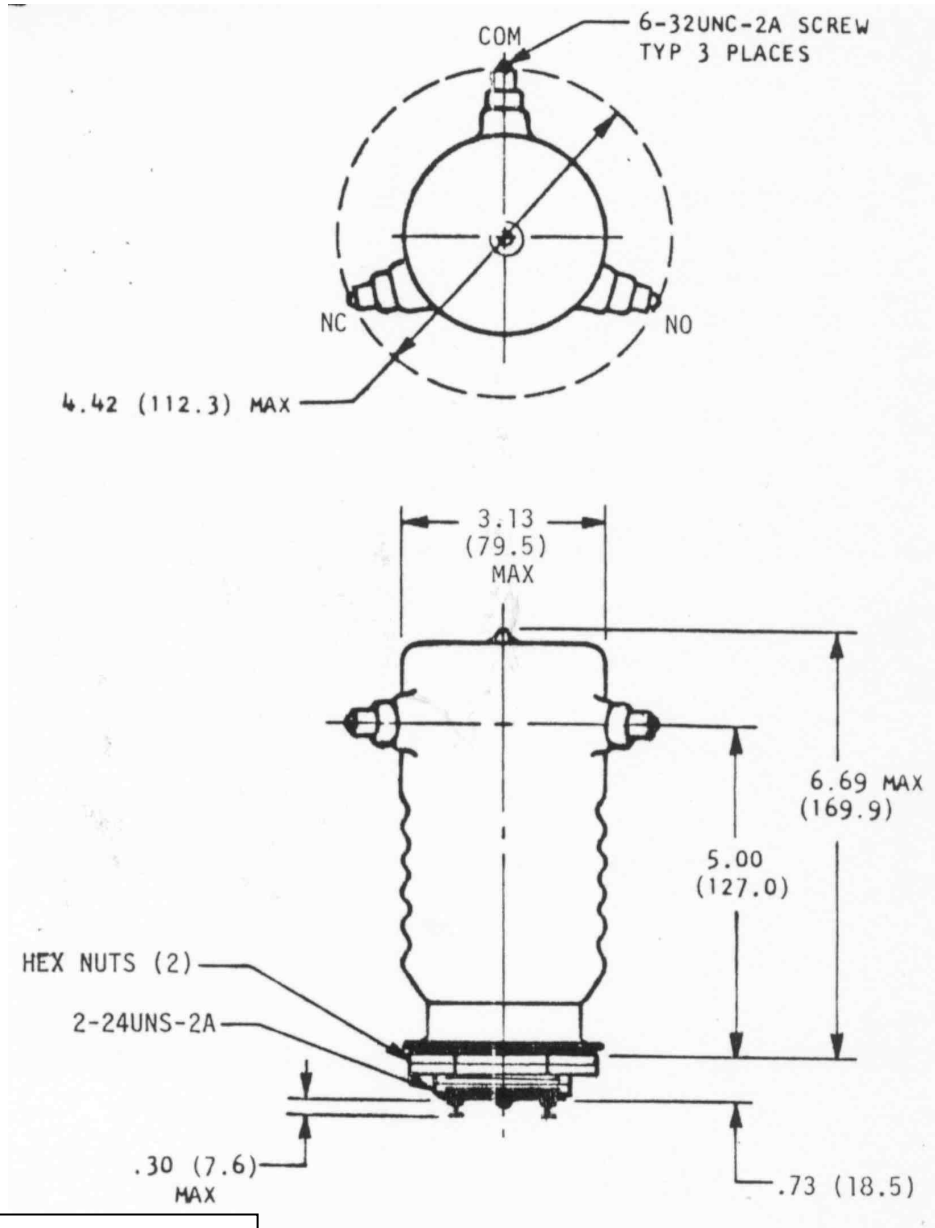
SCALE

N/A

SHEET

0 of 5

Part Drawing



Dimensions in Inches
 (Dimensions in Parentheses are in
 Millimeters)
 Tolerances Except as Noted
 .XX = ± .03
 .XXX = ± .010
 ∠ X° = ± 2°
 DO NOT SCALE DWG

CI Technologies™
 advanced control electronic solutions

P.O. Box 4422, Santa Barbara, CA 93140
 Phone: (805) 684-4560 Fax: (805) 684-9679
 E-Mail: info@ciitech.com
 Internet: <http://www.ciitech.com>

H-25

THIRD ANGLE PROJECTION

THIS DRAWING
 PREPARED IN
 ACCORDANCE WITH

CAGE CODE

SCALE

SHEET

4 of 5

Revisions

REV.	DESCRIPTION	DATE	APP.
A	Initial Release ECO 6359	82/06/03	LL
B	Revised Pages 1 and 2 ECO 6910	84/05/31	RG
C	Revised Pages 1 and 4 ECO 7301	85/12/31	RG
D	Revised Pages 1 and 2 ECO 7815	87/10/07	RG
E	New Template DCO 11856	99/09/07	RJG



P.O. Box 4422, Santa Barbara, CA 93140
 Phone: (805) 684-4560 Fax: (805) 684-9679
 E-Mail: info@ciitech.com
 Internet: <http://www.ciitech.com>

H-25

THIRD ANGLE PROJECTION



THIS DRAWING
 PREPARED IN
 ACCORDANCE WITH

CAGE CODE

40744

SCALE

N/A

SHEET

5 of 5