

High Voltage Vacuum Relay

Features

Physical:

- Hermetically Sealed: arc contained
- Maintenance free
- Long leakage path especially suited for RF applications

Environmental:

- Temperature range -55°C to 125°C
- 20G Shock

Ratings:

- 30 kVdc
- 7 kV @ 32 MHz
- 30 Adc carry

Coil Voltage:

- 12, 26.5, 115 Vdc Standard



CII Technologies™
advanced control electronic solutions

P.O. Box 4422, Santa Barbara, CA 93140
Phone (805) 684-4560 Fax (805) 684-9679

E-Mail: info@ciitech.com

Internet: <http://www.ciitech.com/>

TITLE

High Voltage Vacuum Relay

PREP. BY

JP

82-6-1

DWG NO.

H-24

CHKD. BY

RJG

99-9-7

CAGE CODE

18741

SCALE

SHEET

General Specifications

D

Physical Data

Units

Contact Arrangement		SPST-NO
Form		A
Weight, Maximum	oz	7

Environmental Data

Shock, 11ms ½ sine (operating)	g_{peak}	20
Vibration, 10 g_{peak}	Hz	55-500
Operating Temperature Range	°C	-55 to +125

Electrical Data

Test Voltage (dc or 60 Hz)	KV peak	35
Rated Operating Voltage		
dc or 60 Hz	kV peak	30
2.5 MHz	kV peak	24
16 MHz	kV peak	18
32 MHz	kV peak	7
Continuous Current Carry, Maximum		
dc or 60 Hz	A RMS	30
2.5 MHz	A RMS	20
16 MHz	A RMS	12
32 MHz	A RMS	7
Coil Hi-Pot (60 Hz)	V RMS	500
Contact Resistance, Maximum	Ohms	0.015
Mechanical Life	Cycles	1,000,000

Mechanical Data

Operate Time	ms	30
Release Time	ms	20

1. RATINGS ARE FOR 25 °C SEA LEVEL CONDITIONS.
2. RELAY BASE MUST BE GROUNDED



P.O. Box 4422, Santa Barbara, CA 93140
 Phone: (805) 684-4560 Fax: (805) 684-9679
 E-Mail: info@ciitech.com
 Internet: <http://www.ciitech.com>

H-24

THIRD ANGLE PROJECTION



THIS DRAWING
 PREPARED IN
 ACCORDANCE WITH

CAGE CODE

10744

SCALE

NA

SHEET

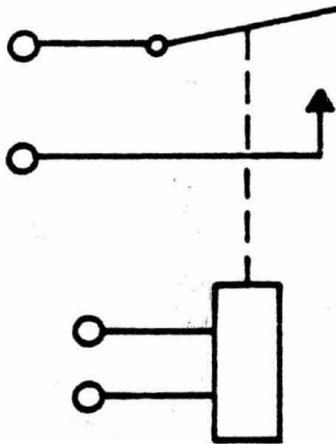
01 of 5

Coil & Electronics Data

D

	Units	H-24/12VDC	H-24	H-24/115VDC
Coil Voltage, Nominal	Vdc	12	26.5	115
Pickup Voltage	Vdc	8	16	80
Drop-out	Vdc	.5-5	1-10	5-50
Coil Resistance (± 10%)	Ohms	24	120	2000

Schematic



P.O. Box 4422, Santa Barbara, CA 93140
 Phone: (805) 684-4560 Fax: (805) 684-9679
 E-Mail: info@ciitech.com
 Internet: <http://www.ciitech.com>

H-24

THIRD ANGLE PROJECTION



THIS DRAWING
 PREPARED IN
 ACCORDANCE WITH

CAGE CODE

10744

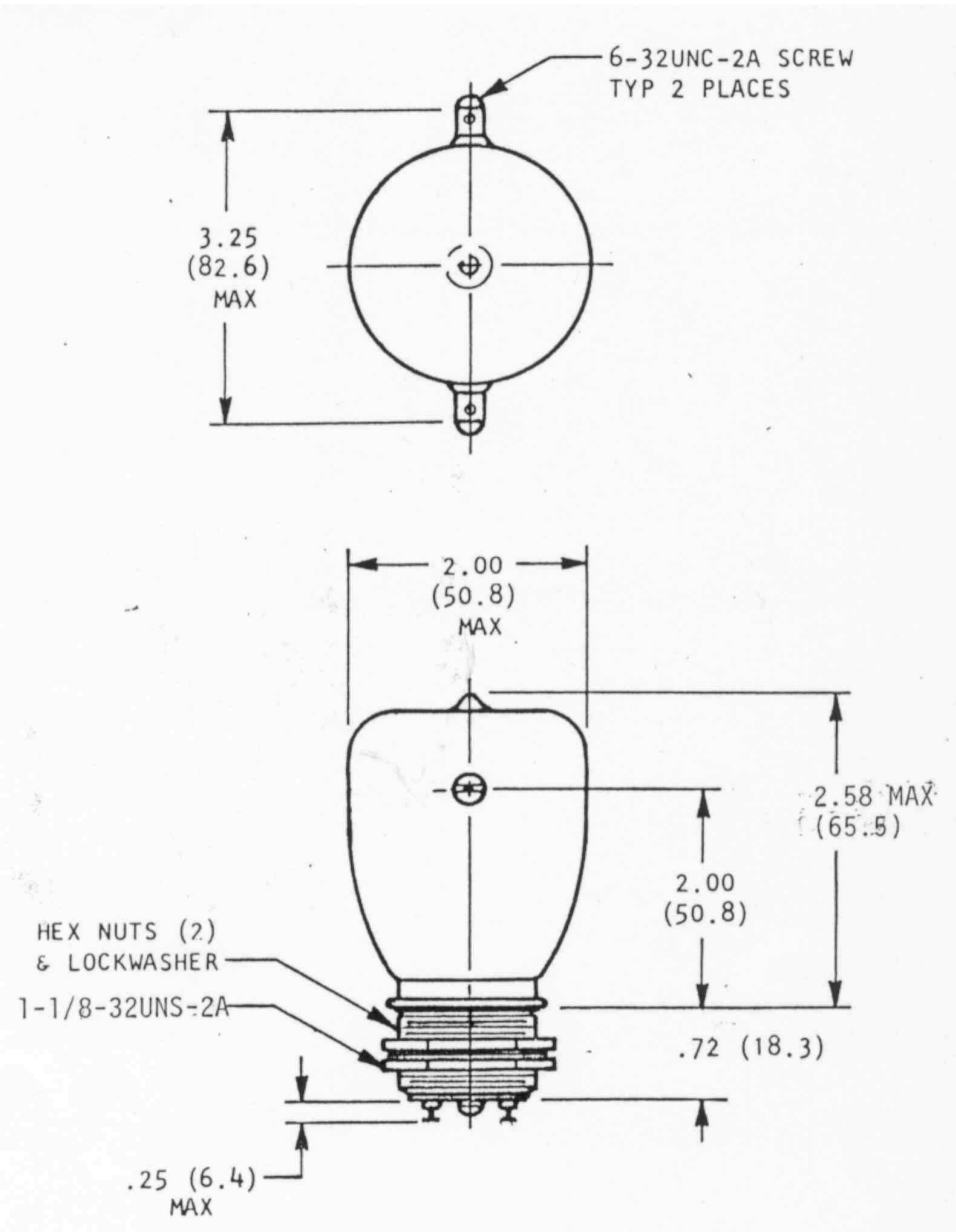
SCALE

NA

SHEET

0 of 5

Part Drawing



Dimensions in Inches
 (Dimensions in Parentheses are in
 Millimeters)
 Tolerances Except as Noted
 .XX = ± .03
 .XXX = ± .010
 ∠ X° = ± 2°
 DO NOT SCALE DWG

CI Technologies™
 advanced control electronic solutions

P.O. Box 4422, Santa Barbara, CA 93140
 Phone: (805) 684-4560 Fax: (805) 684-9679
 E-Mail: info@ciitech.com
 Internet: <http://www.ciitech.com>

H-24

THIRD ANGLE PROJECTION

THIS DRAWING
 PREPARED IN
 ACCORDANCE WITH

CAGE CODE

SCALE

SHEET

Revisions

REV.	DESCRIPTION	DATE	APP.
A	Initial Release ECO 6359	82/06/03	LL
B	Revised Pages 1, 2 and 4 ECO 7702	87/05/08	DKP
C	Revised Pages 1 and 2 ECO 7815	87/10/07	RG
D	New Template DCO 11856	99/09/07	RJG



P.O. Box 4422, Santa Barbara, CA 93140
 Phone: (805) 684-4560 Fax: (805) 684-9679
 E-Mail: info@ciitech.com
 Internet: <http://www.ciitech.com>

H-24

THIRD ANGLE PROJECTION



THIS DRAWING
 PREPARED IN
 ACCORDANCE WITH

CAGE CODE

40744

SCALE

NA

SHEET

5 of 5