

# High Voltage Vacuum Relay



**CII Technologies**™  
advanced control electronic solutions

P.O. Box 4422, Santa Barbara, CA 93140  
Phone (805) 684-4560 Fax (805) 684-9679

E-Mail: [info@ciitech.com](mailto:info@ciitech.com)

Internet: <http://www.ciitech.com/>

TITLE

**High Voltage Vacuum Relay**

PREP. BY	JT	96-12-4
CHKD. BY	RJG	00-7-27
ENG APPR/	PIC	00 7 27

DWG NO.

**H-19**

CAGE CODE

18741

SCALE

NA

SHEET

1 of 6

## General Specifications

H

### Physical Data

### Units

Contact Arrangement		DPDT
Form		2C
Weight, (Max)	oz	9.0

### Environmental Data

Shock, 11ms ½ sine	$g_{peak}$	30
Vibration, 10 $g_{peak}$	Hz	55-500
Operating Temperature Range	°C	-55 to +125

### Electrical Data

Test Voltage (dc or 60 Hz)	$kV_{peak}$	25
Rated Operating Voltage		
dc or 60 Hz	$kV_{peak}$	20
2.5 MHz	$kV_{peak}$	15
16 MHz	$kV_{peak}$	10
32 MHz	$kV_{peak}$	7
Continuous Current Carry		
dc or 60 Hz	A RMS	30
2.5 MHz	A RMS	18
16 MHz	A RMS	9
32 MHz	A RMS	6
Coil Hi-Pot	Vrms	500
Contact Capacitance		
Between Open Contacts	pF	1.0
Open Contacts to Ground	pF	2.5
Contact Resistance, maximum	Ohms	0.015

### Mechanical Data

Operate Time, Maximum	ms	30
Release Time, Maximum	ms	20
Mechanical Life	cycles	1,000,000

1. RATINGS LISTED ARE FOR 25 °C SEA LEVEL CONDITIONS.
2. RELAY BASE MUST BE GROUNDED



P.O. Box 4422, Santa Barbara, CA 93140  
 Phone: (805) 684-4560 Fax: (805) 684-9679  
 E-Mail: [info@ciitech.com](mailto:info@ciitech.com)  
 Internet: <http://www.ciitech.com>

## H-19

THIRD ANGLE PROJECTION



THIS DRAWING  
PREPARED IN  
ACCORDANCE WITH

CAGE CODE

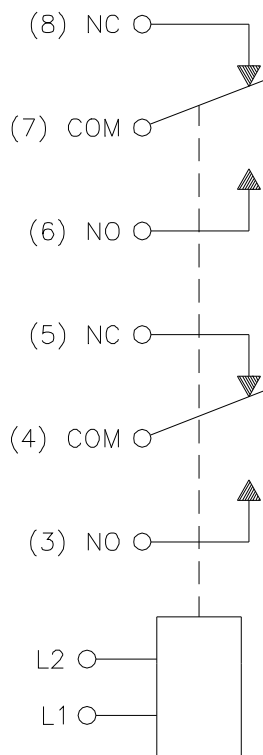
SCALE

SHEET

Coil & Electronics Data

	Units	H-19/12vdc	H-19 H-19C	H-19/115VDC
Coil Voltage, nominal	Vdc	12	26.5	115
Pickup Voltage, maximum	Vdc	8	16	80
Drop-out Voltage	Vdc	.5-5	1-10	5-50
Coil Resistance (± 10%)	Ohms	48	225	2100

**Schematic**



P.O. Box 4422, Santa Barbara, CA 93140  
 Phone: (805) 684-4560 Fax: (805) 684-9679  
 E-Mail: [info@ciitech.com](mailto:info@ciitech.com)  
 Internet: <http://www.ciitech.com>

**H-19**

THIRD ANGLE PROJECTION



THIS DRAWING  
 PREPARED IN  
 ACCORDANCE WITH

CAGE CODE

SCALE

SHEET

(Dimensions in Parentheses are in Millimeters)

Tolerances except as noted

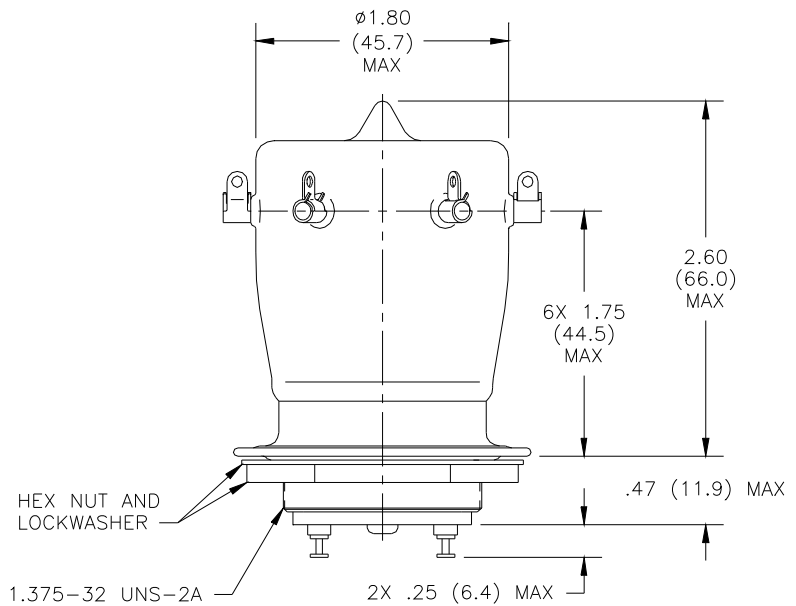
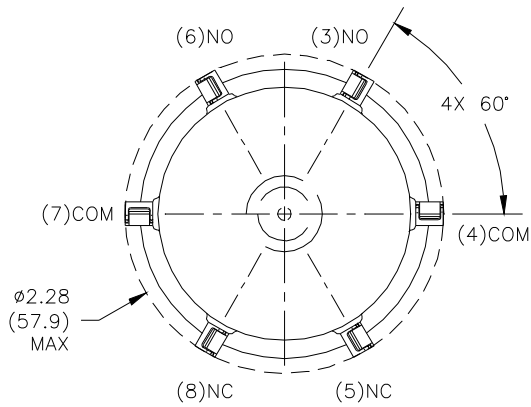
.xx = ±.03

.xxx = ±.010

∠ x° = ± 2°

DO NOT SCALE DWG.

### Part Drawing



H-19



P.O. Box 4422, Santa Barbara, CA 93140  
 Phone: (805) 684-4560 Fax: (805) 684-9679  
 E-Mail: [info@ciitech.com](mailto:info@ciitech.com)  
 Internet: <http://www.ciitech.com>

## H-19

THIRD ANGLE PROJECTION



THIS DRAWING PREPARED IN ACCORDANCE WITH

CAGE CODE

SCALE

SHEET

(Dimensions in Parentheses are in Millimeters)

Tolerances except as noted

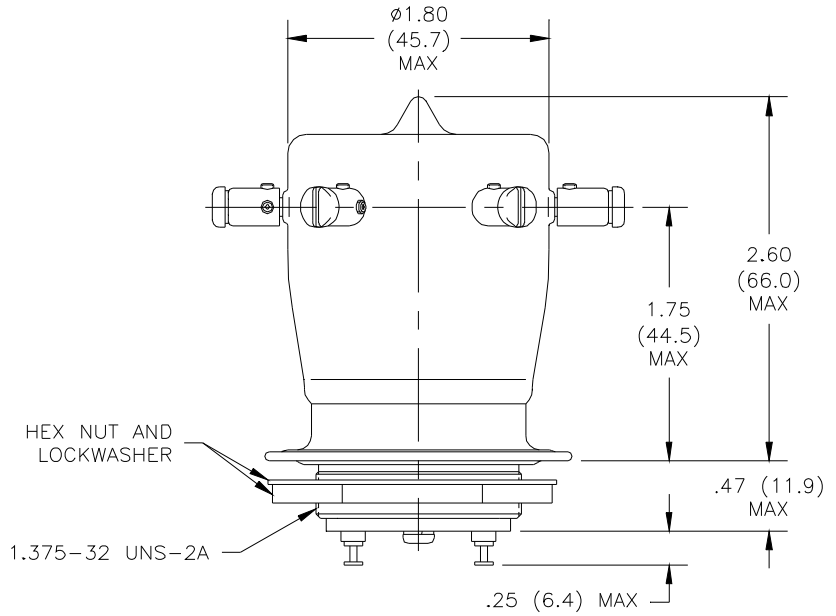
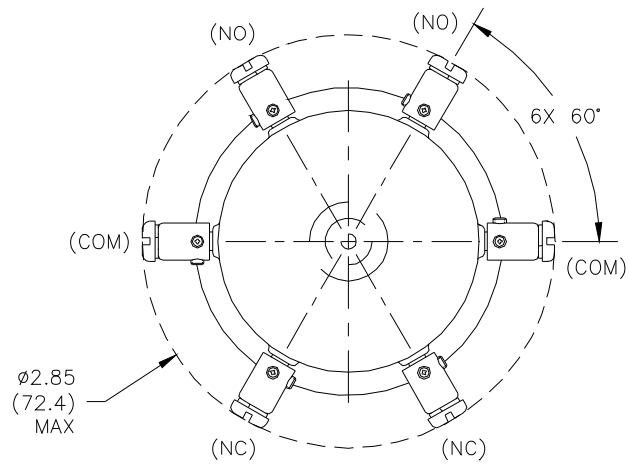
.xx = ±.03

.xxx = ±.010

∠ x° = ± 2°

DO NOT SCALE DWG.

### Part Drawing



H-19C



P.O. Box 4422, Santa Barbara, CA 93140  
 Phone: (805) 684-4560 Fax: (805) 684-9679  
 E-Mail: [info@ciitech.com](mailto:info@ciitech.com)  
 Internet: <http://www.ciitech.com>

## H-19

THIRD ANGLE PROJECTION



THIS DRAWING PREPARED IN ACCORDANCE WITH

CAGE CODE

SCALE

SHEET

Revisions

REV.	DESCRIPTION	DATE	APP.
G	REVISED PER ECO 9761	96-12-06	GLG
H	REVISED PER DCO 11856	99-07-28	RJG



P.O. Box 4422, Santa Barbara, CA 93140  
Phone: (805) 684-4560 Fax: (805) 684-9679  
E-Mail: [info@ciitech.com](mailto:info@ciitech.com)  
Internet: <http://www.ciitech.com>

**H-19**

THIRD ANGLE PROJECTION



THIS DRAWING  
PREPARED IN  
ACCORDANCE WITH

CAGE CODE

40744

SCALE

N/A

SHEET

0 of 0