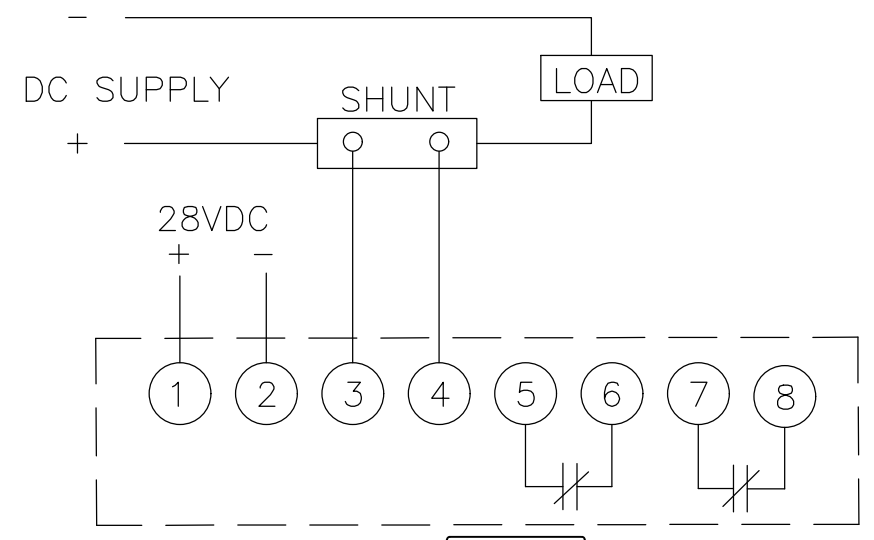
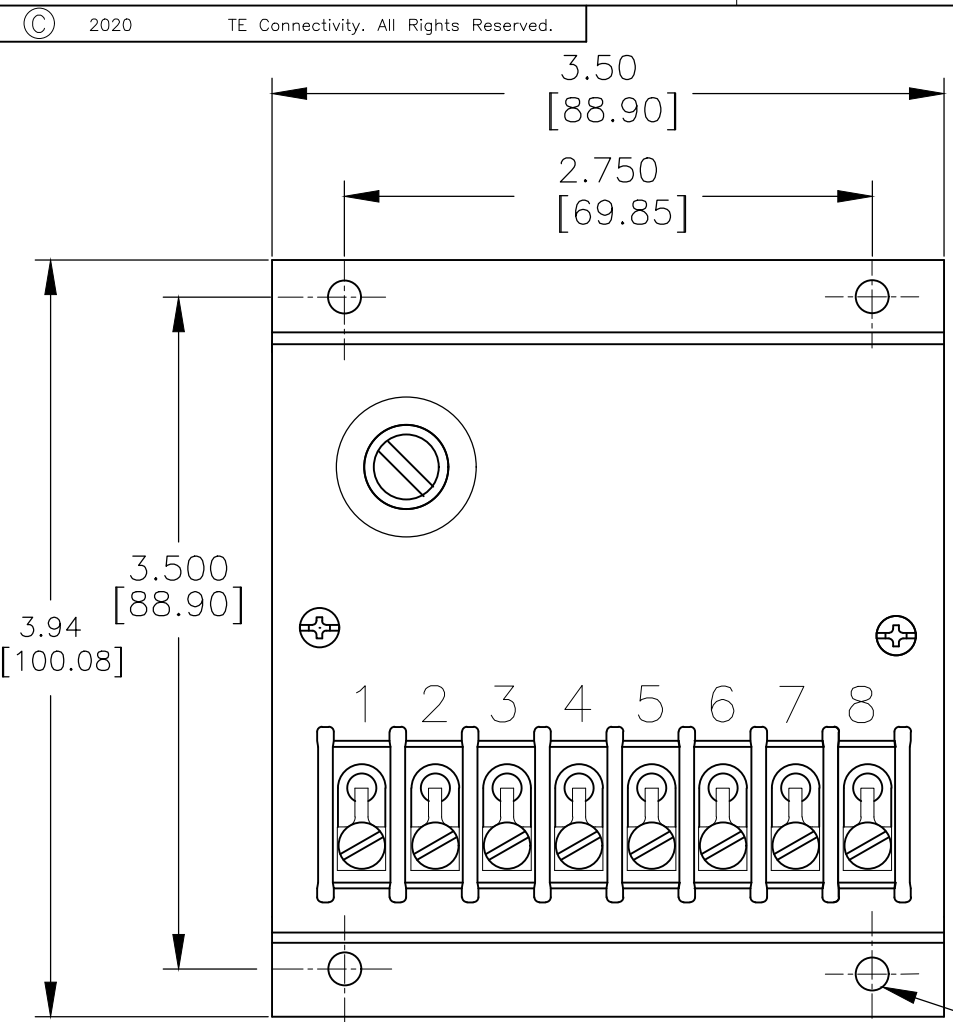


4

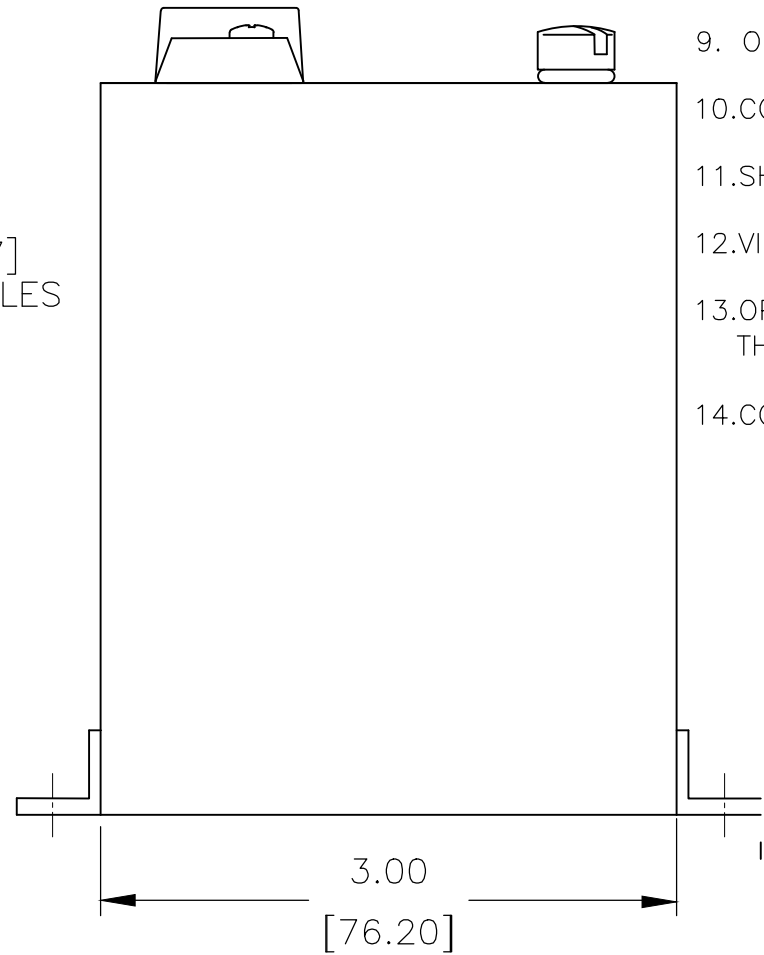
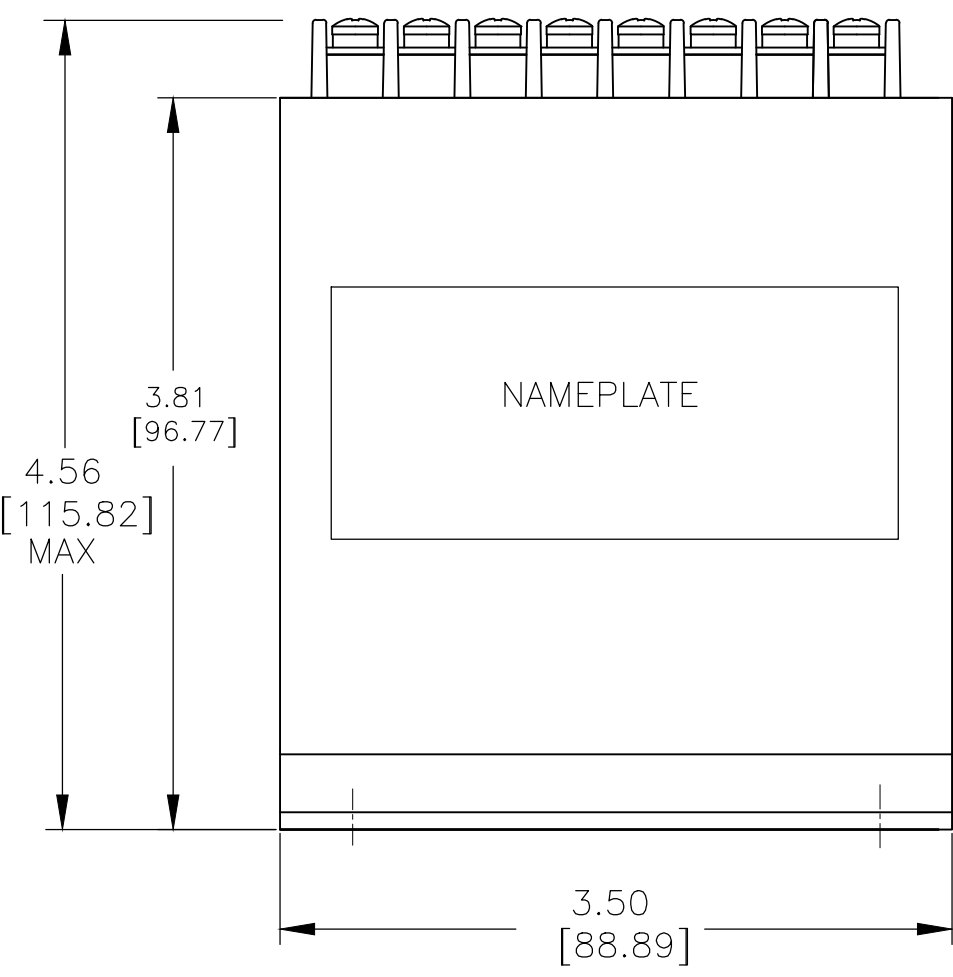
3

2

1



∅.172 [4.37]
4 MTG HOLES



REVISIONS					
P	LTR	DESCRIPTION	DATE	DWN	APVD
	B	ECO	21AUG2020	VR	TN

SPECIFICATION 21-834

- CONTROL : 18-32VDC (28VDC NOMINAL)
- SENSING : 0-50mVDC (15VDC MAX.)
- PICK-UP RANGE : 10-50mV, SCREWDRIVER ADJUSTABLE.
- PICK-UP TIME DELAY : .5 ± .1SEC.
- PICK-UP/DROP-OUT DIFFERENTIAL : 1mV TYPICAL.
- SENSING INPUT RESISTANCE : 10KΩ TYPICAL.
- BURDEN : 3.5 WATTS TYPICAL
- OPERATING TEMPERATURE : -40°C TO +75°C
- OUTPUT CONTACTS : 2 SETS, NORMALLY CLOSED
- CONTACT RATING : 2A RESISTIVE AT 120VAC OR 28VDC.
- SHOCK, NON-OPERATING : 30G , 25mS
- VIBRATION, NON-OPERATING : 5-300HZ , SINE WAVEFORM , 0.25 G
- OPERATION : THE SELF CONTAINED OUTPUT RELAY ACTUATES WHEN THE CURRENT(SHUNT VOLTAGE DROP) EXCEEDS THE PRESET VALUE.
- CONSTRUCTION : SOLID STATE SENSOR WITH RELAY OUTPUT ENCLOSED IN A SEALED STEEL HOUSING, PLATED PER MIL-T-10727, TYPE II .

NOTES.

- REMOVE SCREW FOR ACCESS TO PICK-UP ADJUST.
- CLOCKWISE ROTATION OF THE ADJUSTMENT POTENTIOMETER WILL RAISE THE PICK-UP POINT.
- CONTACTS ARE SHOWN IN DE-ENERGIZED POSITION.

THIS DRAWING IS A CONTROLLED DOCUMENT.		DWN VR	21AUG2020	STE TE Connectivity	
		CHK RS	21AUG2020		
		APVD TN	21AUG2020	NAME	
DIMENSIONS: INCHES		TOLERANCES UNLESS OTHERWISE SPECIFIED:		PRODUCT SPEC	
		0 PLC	± -	APPLICATION SPEC	
		1 PLC	± -	-	
		2 PLC	± -	-	
		3 PLC	± -	-	
MATERIAL		4 PLC	± -	SIZE	
		ANGLES	± -	CAGE CODE	DRAWING NO
		FINISH	-	RESTRICTED TO	
				WEIGHT	
				A3 18741 C-1100DC-22SX	
CUSTOMER DRAWING		SCALE		SHEET	REV
		NTS		1 OF 1	B