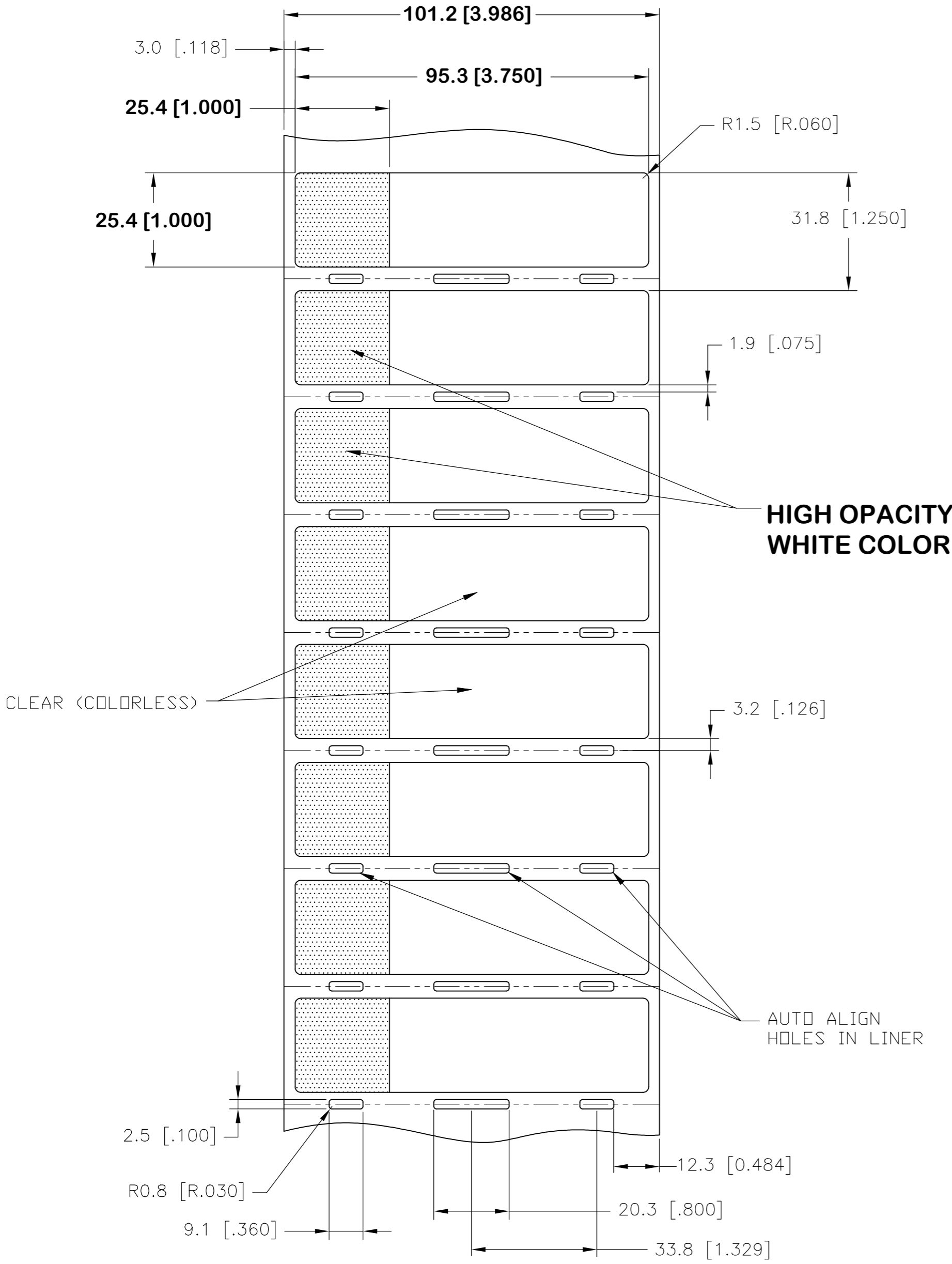


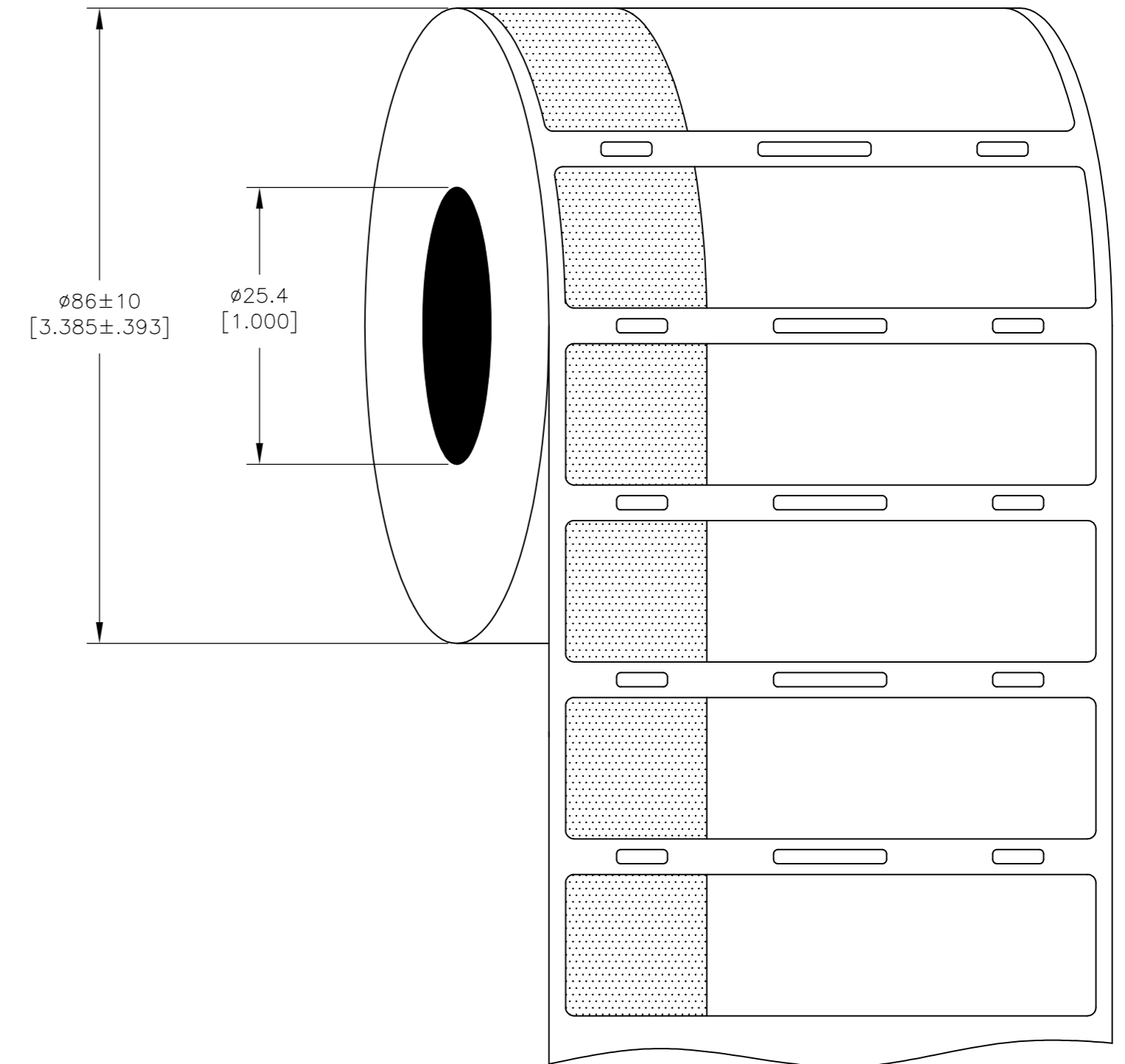
THIS DRAWING IS UNPUBLISHED. RELEASED FOR PUBLICATION FEB ,2017.  
 © COPYRIGHT 2017 By TE Connectivity ALL RIGHTS RESERVED.

REVISIONS					
P	LTR	DESCRIPTION	DATE	DWN	APVD
B		NEW DRAWING FORMAT	25FEB2017	GK	DB
F		LINER CHANGE	11OCT2018	GK	DB

**LABEL AND LINER DESIGN**



**PRESENTATION**



**HIGH OPACITY WHITE COLOR**

CLEAR (COLORLESS)

AUTO ALIGN HOLES IN LINER

**OUTSIDE WOUND LABEL ACROSS: 1 PER ROLL QTY: 1000**

All dimensions in mm [Inch]

**TE PN: CN9939-000**

UL-MARKING AND LABELLING SYSTEMS		
PGIS2 - Marking and Labeling Systems, Limited Use - Component (UL 969)		
File: MH61871	Product design: <b>SBP</b>	Ribbon: TMS-XXX-RIBBON-4RPSCE

TOLERANCES mm [INCH]	
LABEL HEIGHT:	±0.3 [.012]
LABEL WIDTH:	±0.3 [.012]
WEB WIDTH:	±0.8 [.031]
VERTICAL REPEAT:	±0.8 [.031]*
HORIZONTAL REPEAT:	±0.8 [.031]*
PRINT POSITIONING:	±0.8 [.031]*
LEFT MARGIN:	±0.4 [.016]
QUANTITY:	-0 % +2 %
*NON ACCUMULATING	

MATERIAL		CLEAR VINYL	
ADHESIVE TYPE		ACRYLIC PERMANENT	
LINEAR		WHITE KRAFT	
DWN	25FEB2017	GOPALAKRISHNA HV	
CHK	25FEB2017	D.BURGAT	
APVD	25FEB2017	D.BURGAT	
PRODUCT SPEC	TTDS-211		
APPLICATION SPEC	-		
WEIGHT	0.336g	SIZE	A2
CUSTOMER DRAWING	SCALE	N.TS	SHEET 1 of 1