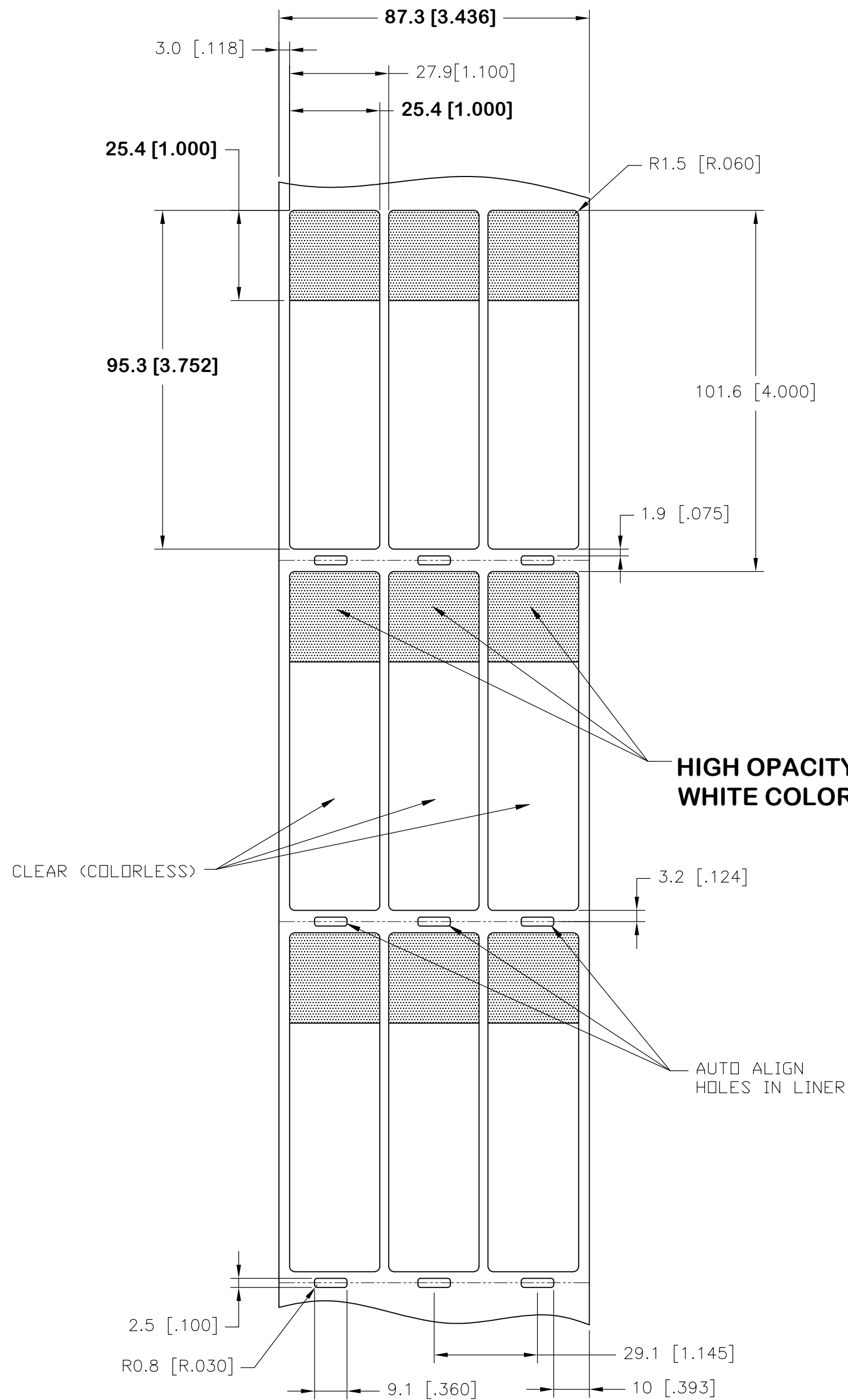


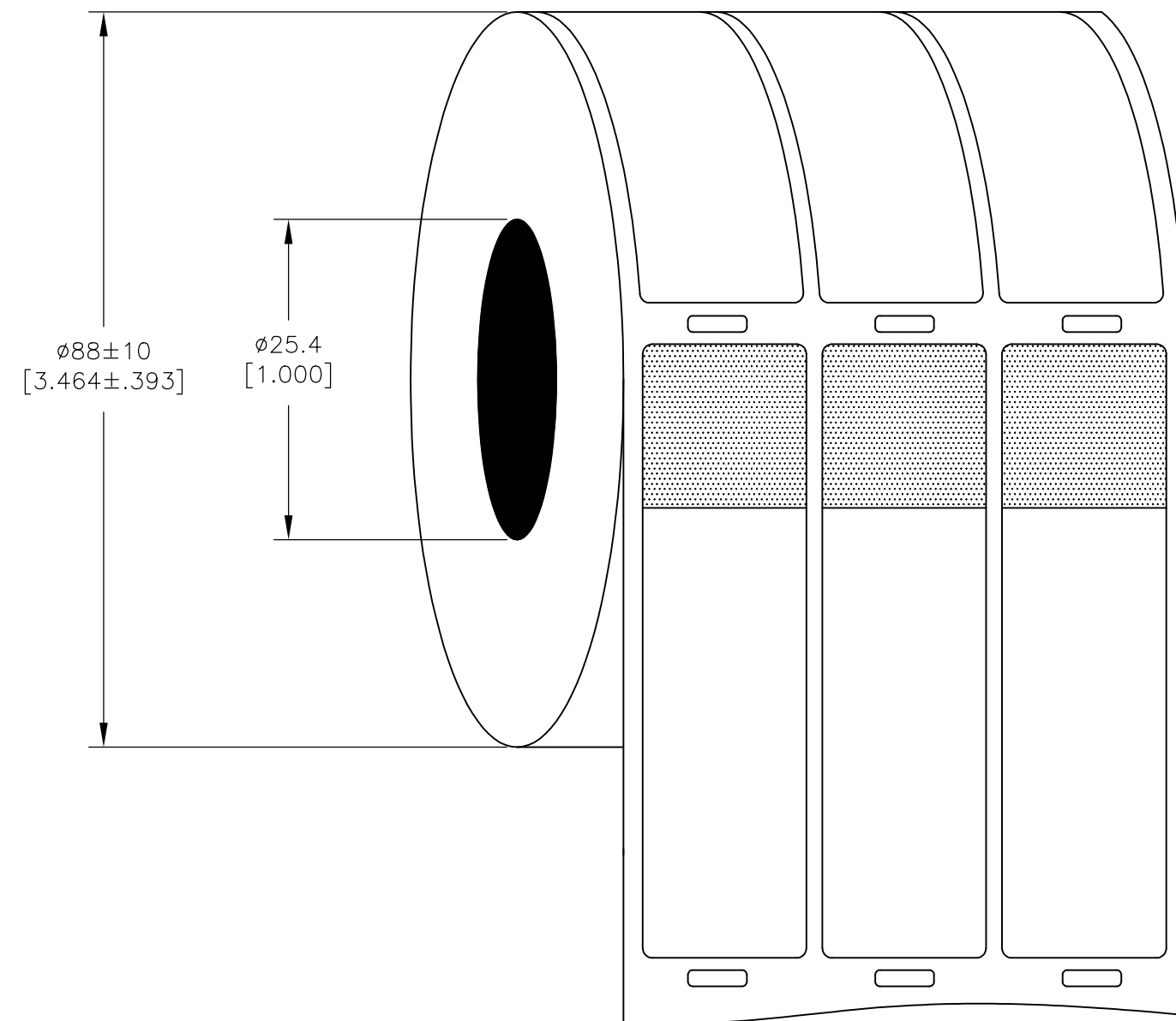
THIS DRAWING IS UNPUBLISHED. RELEASED FOR PUBLICATION FEB , 2017.
 © COPYRIGHT 2017 By TE Connectivity ALL RIGHTS RESERVED.

REVISIONS					
P	LTR	DESCRIPTION	DATE	DWN	APVD
	A	NEW DRAWING	23FEB2016	GK	DB
	F	LINER CHANGE	12SEP2018	GK	DB

LABEL AND LINER DESIGN



PRESENTATION



All dimensions in mm [Inch]

TE PN: CN9925-000

UL-MARKING AND LABELLING SYSTEMS		
PGIS2 - Marking and Labeling Systems, Limited Use - Component (UL 969)		
File: MH61871	Product design: SBP	Ribbon: TMS-XXX-RIBBON-4RPSCE

TOLERANCES mm [INCH]	
LABEL HEIGHT:	± 0.3 [.012]
LABEL WIDTH:	± 0.3 [.012]
WEB WIDTH:	± 0.8 [.031]
VERTICAL REPEAT:	± 0.8 [.031]*
HORIZONTAL REPEAT:	± 0.8 [.031]*
PRINT POSITIONING:	± 0.8 [.031]*
LEFT MARGIN:	± 0.4 [.016]
QUANTITY:	-0 % +2 %
*NON ACCUMULATING	

DIMENSIONS:		TOLERANCES UNLESS OTHERWISE SPECIFIED:	
mm [INCHES]			
		0 PLC	\pm
		1 PLC	\pm
		2 PLC	\pm
		3 PLC	\pm
		4 PLC	\pm
		ANGLES	\pm
		FINISH	\pm

MATERIAL	CLEAR VINYL		
ADHESIVE TYPE	ACRYLIC PERMANENT		
LINEAR	WHITE KRAFT		
DWN	GOPALAKRISHNA HV	TE Connectivity	
CHK	D.BURGAT	TE Connectivity	
APVD	D.BURGAT	TE Connectivity	
PRODUCT SPEC	SBP LABEL-WHITE-T200 PRINTER		
APPLICATION SPEC	25.4 x 95.3mm [1.00 x 3.75inch]		
WEIGHT	0.336g	SIZE	A2
CUSTOMER DRAWING	00779	DRAWING NO	SBP100375WE1-T200
SCALE	NTS	SHEET	1 of 1
RESTRICTED TO		REV	F