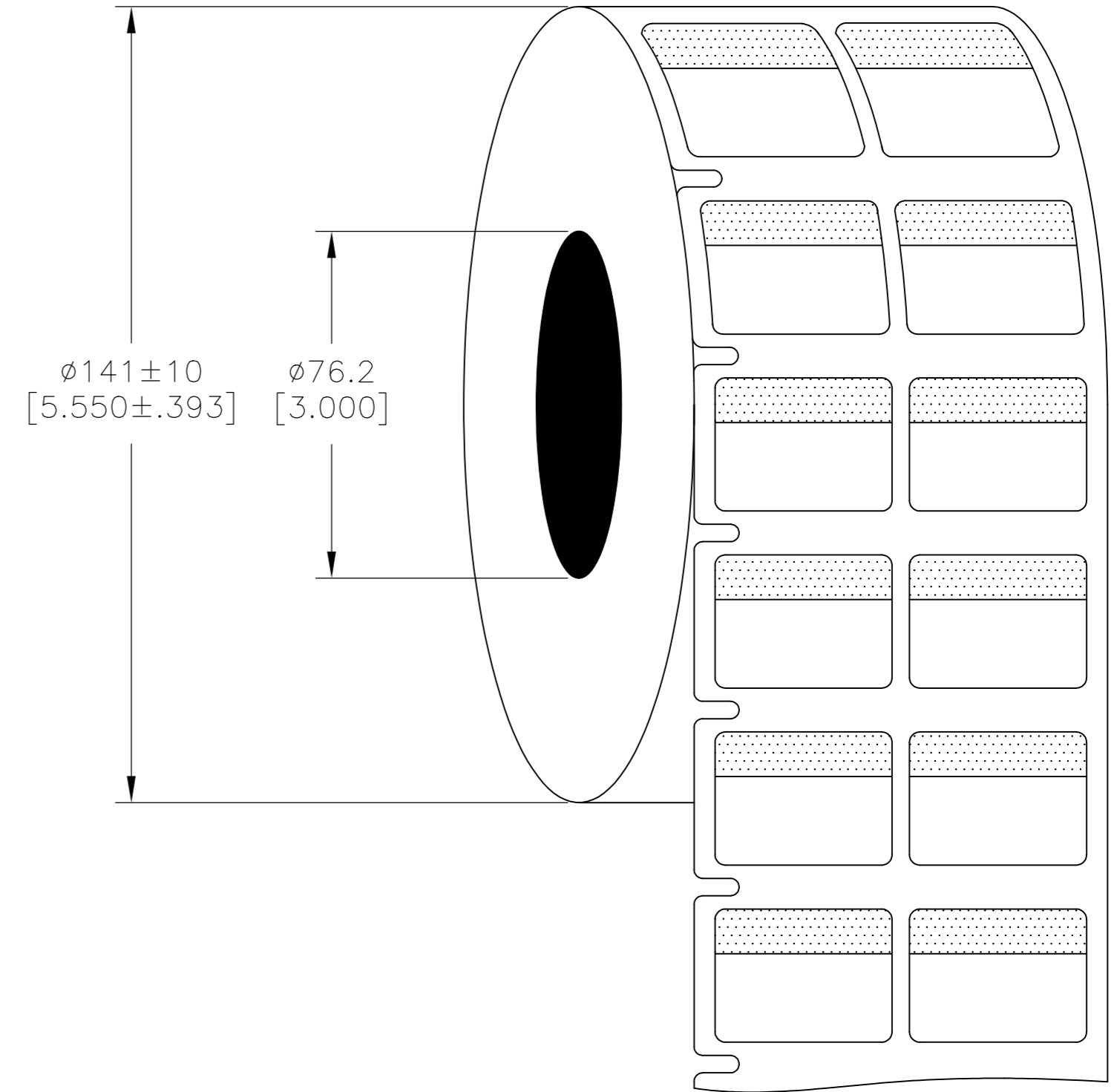
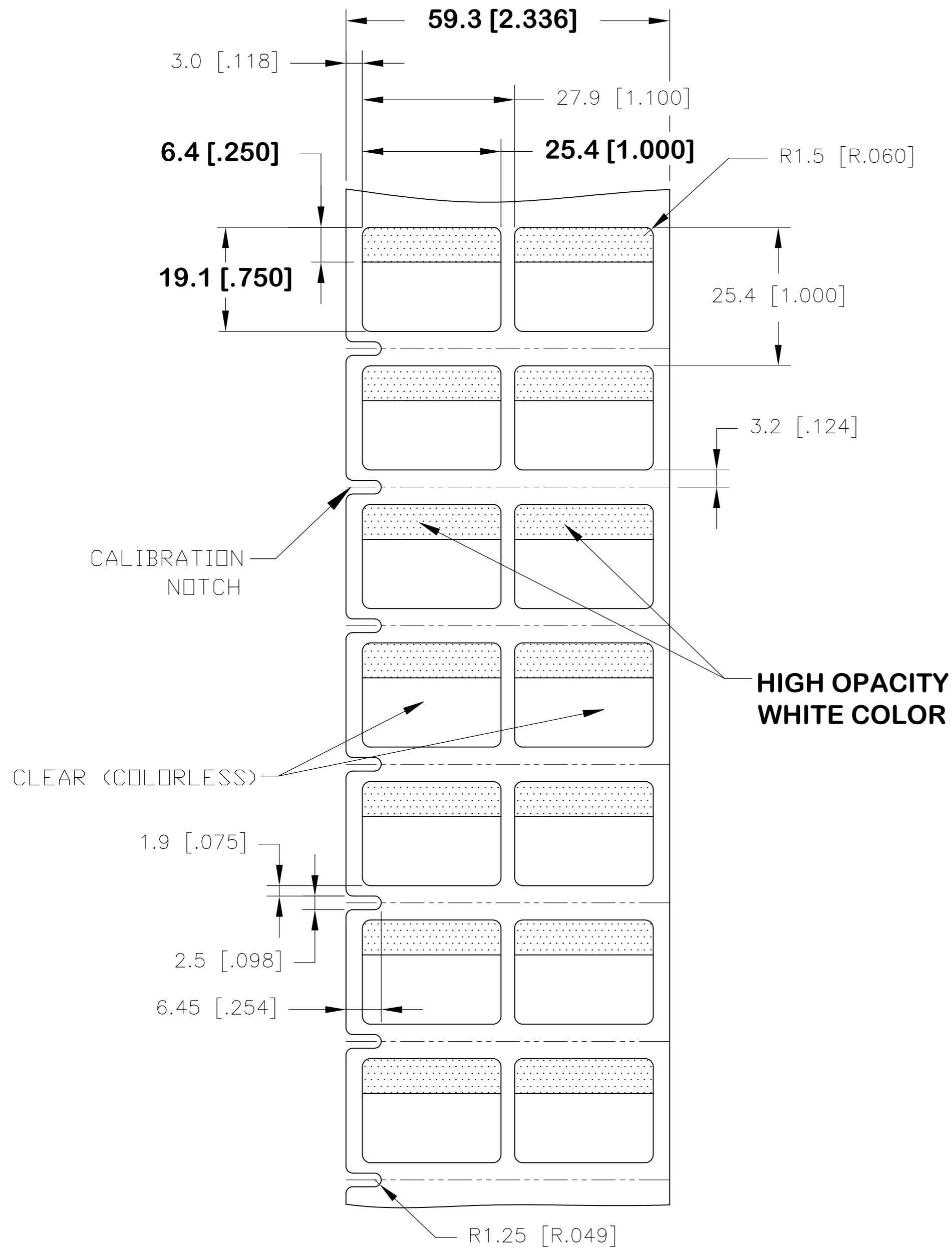


REVISIONS					
P	LTR	DESCRIPTION	DATE	DWN	APVD
	A	NEW DRAWING	21MAR2017	GK	DB
	F	LINER CHANGE	11SEP2018	GK	DB

LABEL AND LINER DESIGN

PRESENTATION



All dimensions in mm [Inch]

OUTSIDE WOUND LABEL ACROSS: 2 PER ROLL QTY: 5000

TE PN: CN9919-000

MATERIAL	CLEAR VINYL
ADHESIVE TYPE	ACRYLIC PERMANENT
LINEAR	WHITE KRAFT

TOLERANCES mm [INCH] LABEL HEIGHT: ± 0.3 [.012] LABEL WIDTH: ± 0.3 [.012] WEB WIDTH: ± 0.8 [.031] VERTICAL REPEAT: ± 0.8 [.031]* HORIZONTAL REPEAT: ± 0.8 [.031]* PRINT POSITIONING: ± 0.8 [.031]* LEFT MARGIN: ± 0.4 [.016] QUANTITY: -0 % +2 % *NON ACCUMULATING		THIS DRAWING IS A CONTROLLED DOCUMENT. DIMENSIONS: mm [INCHES] TOLERANCES UNLESS OTHERWISE SPECIFIED: 0 PLC \pm 1 PLC \pm 2 PLC \pm 3 PLC \pm 4 PLC \pm ANGLES \pm FINISH GLOSSY		DWN 21MAR2017 GOPALAKRISHNA HV CHK 21MAR2017 D.BURGAT APVD 21MAR2017 D.BURGAT PRODUCT SPEC TTDS-211 APPLICATION SPEC WEIGHT 0.067g CUSTOMER DRAWING		NAME SBP LABEL - WHITE 25.4 x 19.1mm [1.00 x 0.75inch]		SIZE A2 CAGE CODE 00779 DRAWING NO. SBP100075WE5 RESTRICTED TO	
UL-MARKING AND LABELLING SYSTEMS PGIS2 - Marking and Labeling Systems, Limited Use - Component (UL 969) File: MH61871 Product design: SBP Ribbon: TMS-XXX-RIBBON-4RPSCE		MATERIAL SEE TABLE		TE Connectivity		SCALE NTS SHEET 1 of 1 REV F			