

( ) : cotes pour information / dimensions for information

○ : cotes de contrôle / inspection dimensions

REP Item	Codification Part number	Nbr Qty	Désignation Designation	Masse (g) Weight (g)	Matière Material	Protection Plating	Observations Remarks
1	YT-KA-211456A-DY9C	1	Tôles de bridage pour fiche droite taille 1 Clamping frames for straight plug size 1	63	INOX Stainless steel	Passivation	
2	Y0000000-HM05X10-I	4	Vis H M5x10 H screw M5x10	3	Inox Stainless steel		
3	0436-0005-M-I	4	Rondelle contact Spring washer	1	Inox Stainless steel		

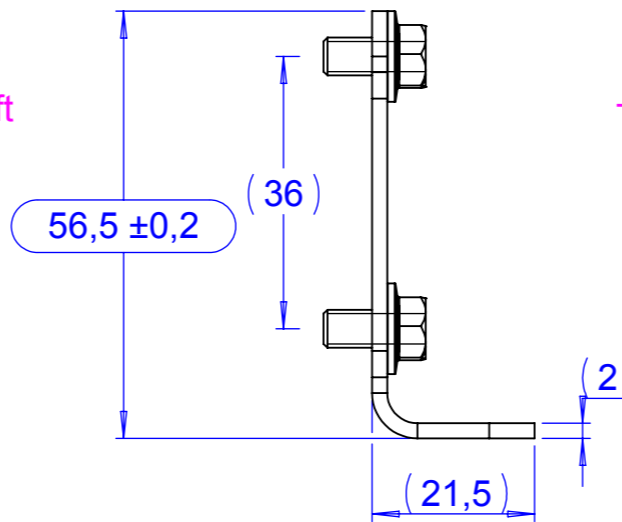
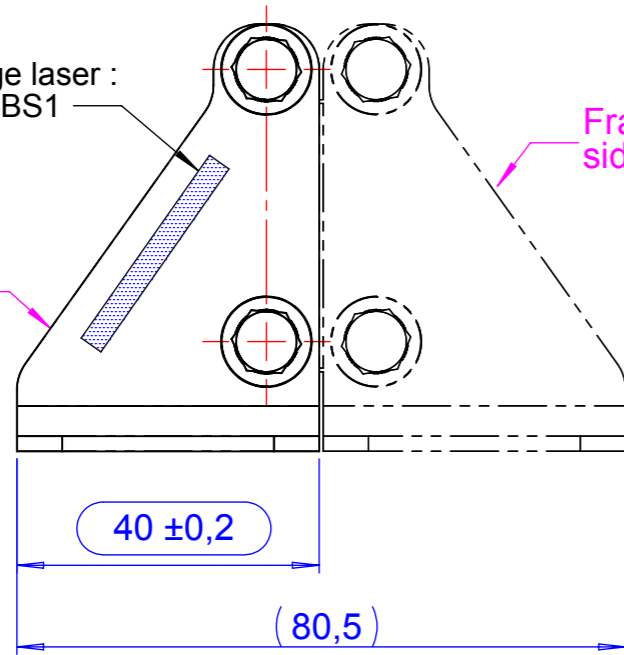
Chaque kit est composé de 2 tôles symétriques attachées entre elles et sa visserie

Each kit is composed of two symmetrical frames delivered linked together and its fasteners

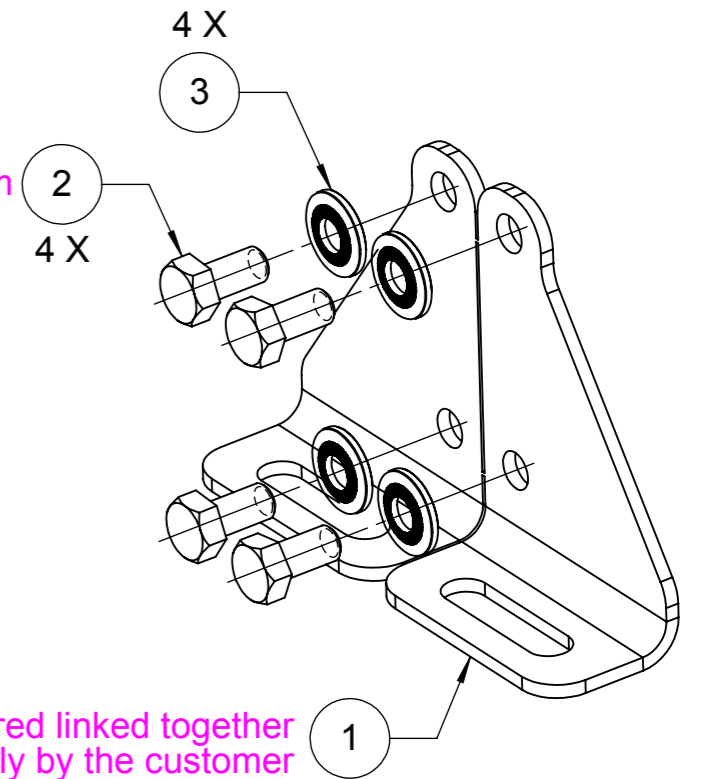
Laser marking / Marquage laser :  
Year-Week + CD + FXP-BS1

Frame for the right side of the plug

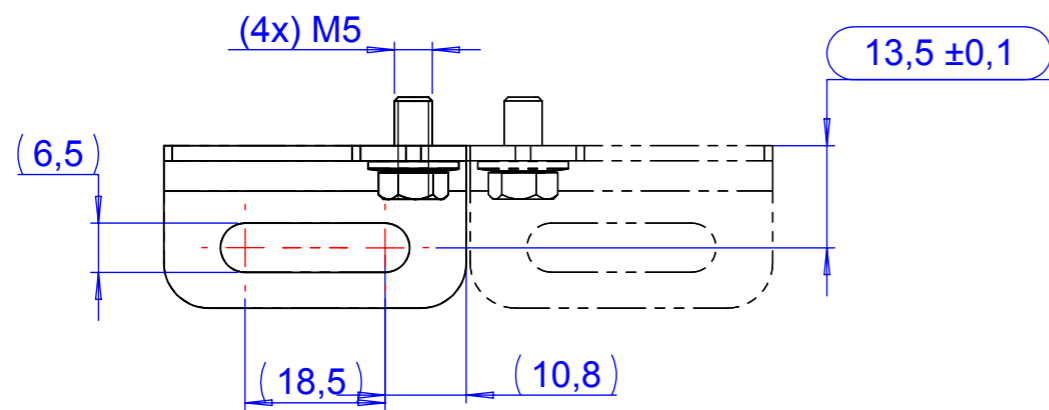
Frame for the left side of the plug



Tightening torque : 5 Nm



Delivered linked together  
To be separated handly by the customer



Mounting instructions	FT13007
Commercial reference	FXP-BS1
Suitable plug drawing	E1884-211444

A	25/09/13	MV	CREATION	329229
INDIC. / Revision	DATE / Date	DESSINE PAR / Drawn by	MODIFICATIONS-OBSERVATIONS / Modifications-Comments	DIFFUSION / Dispatching
ECH / Scale 1:1		MASSE / Weight en gramme / in gram 39.14	SURFACE / Surface en mm <sup>2</sup>	Nota : Instructions générales de serrage des éléments vissés (voir FT10025) Remark : Generic tightening procedure for screw components (see FT 10025)
PLAN SEMBLABLE OU PLAN DE REF. / Similar drawing or reference drawing		FAMILLE / Type FXP	VOLUME / Volume en mm <sup>3</sup>	
S/E kit de tôles de bridage pour fiche taille 1 S/A clamping frames kit for plug size 1			SAUF INDICATIONS / If not specified RA X	
			<b>S1884-211442</b>	

THIS DOCUMENT IS THE PROPERTY OF CARRIER KHEOPS BAC. IT CANNOT BE USED, REPRODUCED, COMMUNICATED OR REVEALED WITHOUT PRELIMINARY AUTHORIZATION. THIS DRAWING WILL HAVE TO BE MODIFIED ONLY BY SOME CAD MEANS.

A3

Carrier Khéops Bac  
ZAC du Monné - Rue champ du Verger - 72705 ALLONNES Cedex

Réf. 276 BE ind. H