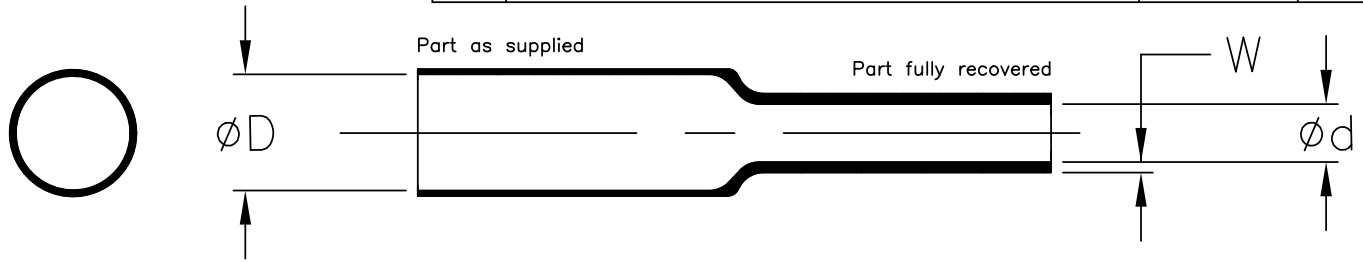


REVISION			
REV	DESCRIPTION	DATE	APPROVED
A	INITIAL RELEASE OF DWG PER ECO-19-004674	3/26/2019	I. MYONG





As Supplied			As Recovered							
Size	Inside Diameter 'D' Minimum		Inside Diameter 'd' Maximum		Wall Thickness					
	in.	mm.	in.	mm.	Minimum		Maximum		Nominal	
					in.	mm.	in.	mm.	in.	mm.
1/8	0.125	3.18	0.062	1.57	0.026	0.65	0.035	0.90	0.031	0.78
3/16	0.187	4.75	0.094	2.39	0.026	0.65	0.040	1.00	0.033	0.83
1/4	0.250	6.35	0.125	3.18	0.028	0.70	0.040	1.00	0.034	0.85
3/8	0.375	9.53	0.187	4.75	0.031	0.80	0.045	1.15	0.038	0.97
1/2	0.500	12.7	0.250	6.35	0.035	0.90	0.053	1.35	0.044	1.13
5/8	0.625	15.9	0.312	7.92	0.037	0.95	0.059	1.50	0.049	1.25
3/4	0.750	19.1	0.375	9.53	0.043	1.10	0.067	1.70	0.055	1.40
7/8	0.875	22.2	0.437	11.1	0.045	1.15	0.075	1.90	0.060	1.52
1	1.000	25.4	0.500	12.7	0.053	1.35	0.080	2.00	0.067	1.68
1-1/4	1.250	31.8	0.625	15.9	0.053	1.35	0.090	2.30	0.072	1.83
1-1/2	1.500	38.1	0.750	19.1	0.075	1.90	0.095	2.40	0.085	2.15
2	2.000	50.8	1.000	25.4	0.091	2.30	0.130	3.30	0.111	2.80

NOTES:

- THIS PRODUCT IS DESIGNED FOR A WIDE RANGE OF APPLICATIONS, AND MEETS THE PERFORMANCE REQUIREMENTS OF TE SPECIFICATION RW-3037.
- PACKAGED AND SUPPLIED ON A SPOOL AND LABELED WITH (example: RW-200-E 1/4-0), PART NUMBERING SYSTEM: RW-200-E= PART NUMBER, 1/4= ORDER SIZE, -0= BLACK (STANDARD COLOR).
- ALWAYS ORDER THE LARGEST SIZE THAT WILL SHRINK SNUGLY OVER THE COMPONENT TO BE COVERED.
- FOR MATERIAL AND FINISH INFORMATION REFER TO RW-3037 SPECIFICATION. FOR SPECIAL ORDER SIZES, CONTACT TE CONNECTIVITY.

Raychem Harness & Components **CUSTOMER DRAWING**

UNLESS OTHERWISE SPECIFIED DIMENSIONS ARE IN MILLIMETERS, AND INCH DIMENSIONS ARE IN SHOWN IN (PARENTHESES).		 TE Connectivity	
DECIMALS:	ANGLES: $\pm 0^{\circ} 00'$		
.000 \pm 0.000 .00 \pm 0.00 .0 \pm 0.0		TITLE: RW-200-E TUBING, HEAT SHRINKABLE FLEXIBLE, FLUID RESISTANT	
TE CONNECTIVITY RESERVES THE RIGHT TO AMEND THIS DRAWING AT ANYTIME. USERS SHOULD EVALUATE THE SUITABILITY OF THE PRODUCT FOR THEIR APPLICATION.		DRAWING NO: RW-200-E	
DRAWN: 14Mar2019 G.Rositano	APPROVED: 22Mar2019 I.Myong	CAGE CODE 06090	CAD FILE: RW-200_-200-E_cd
SIZE: A	SCALE: ---	THIRD ANGLE PROJ. 	SHEET: 1_OF_1