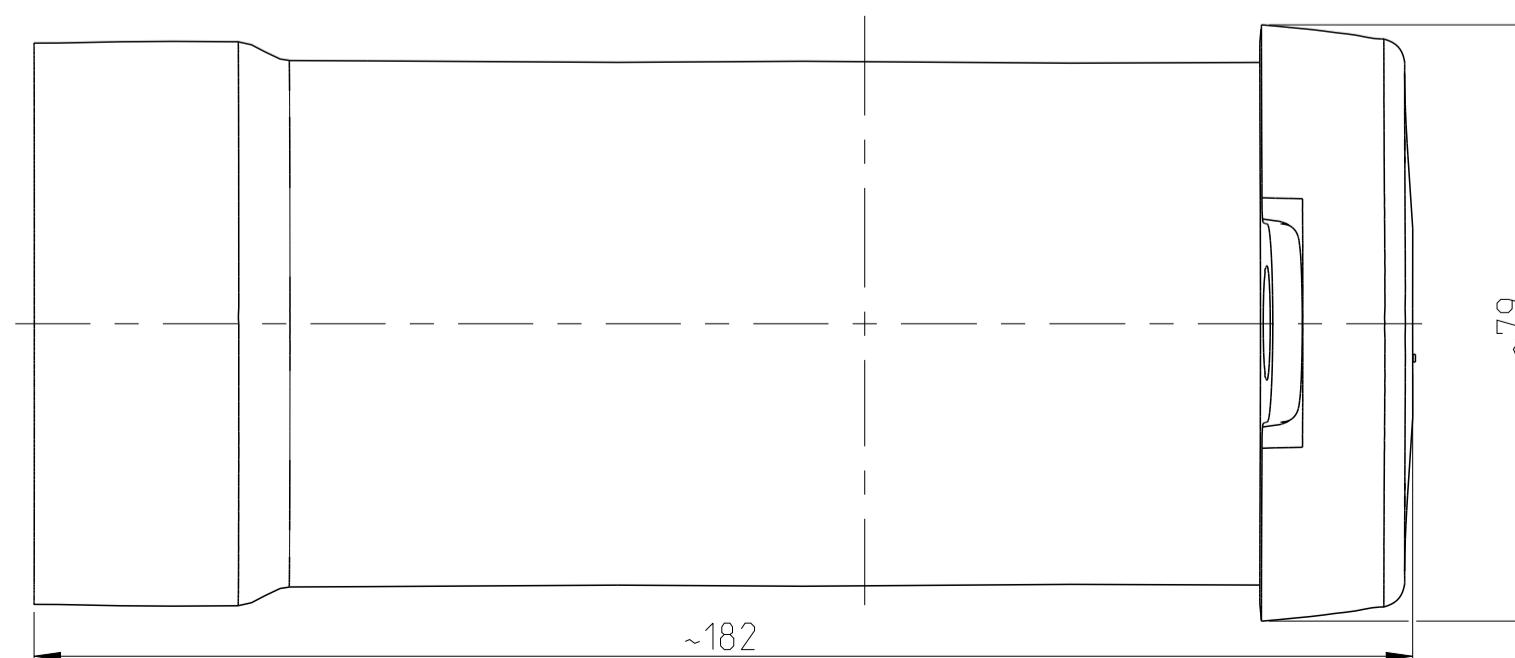
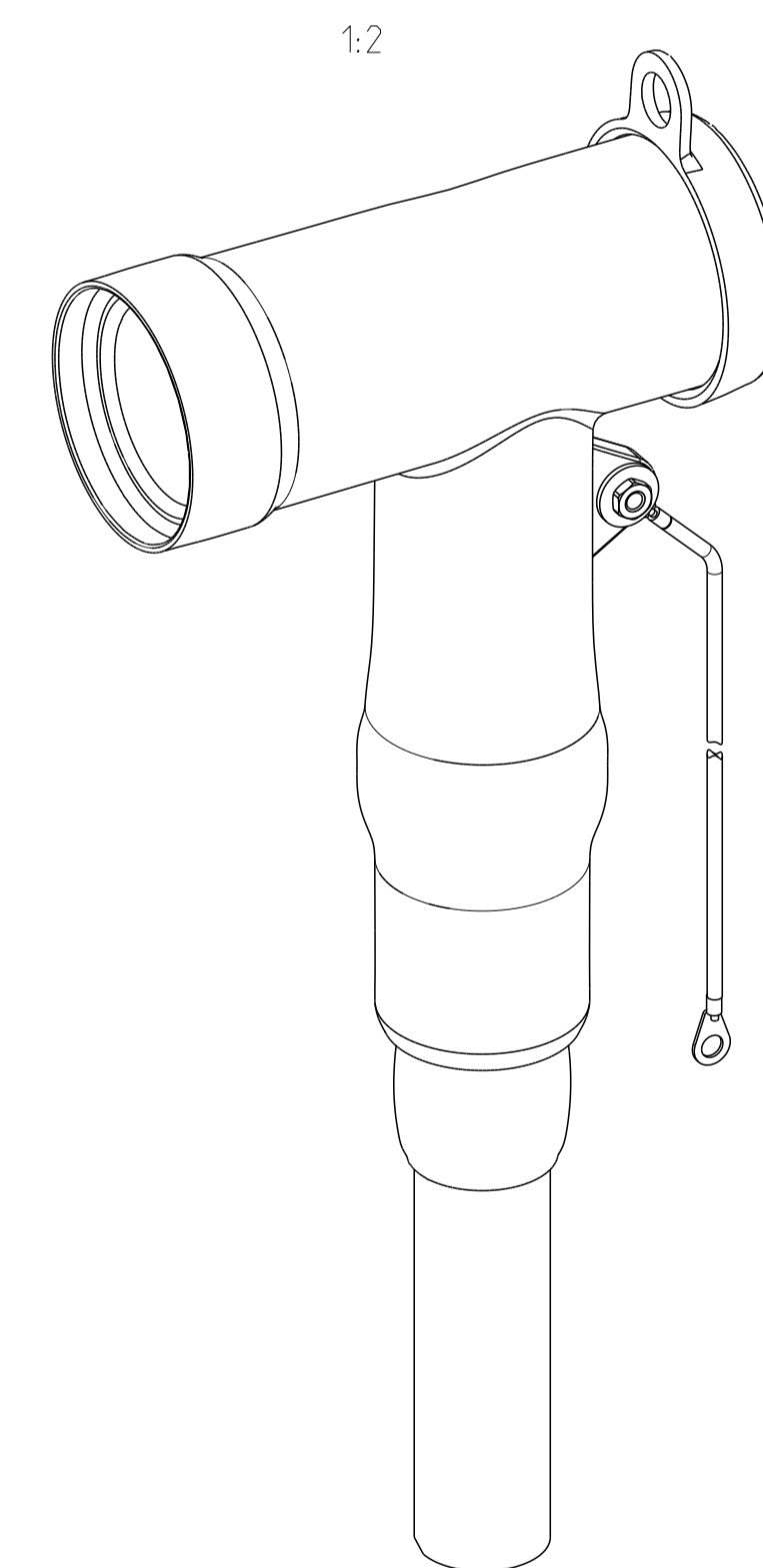
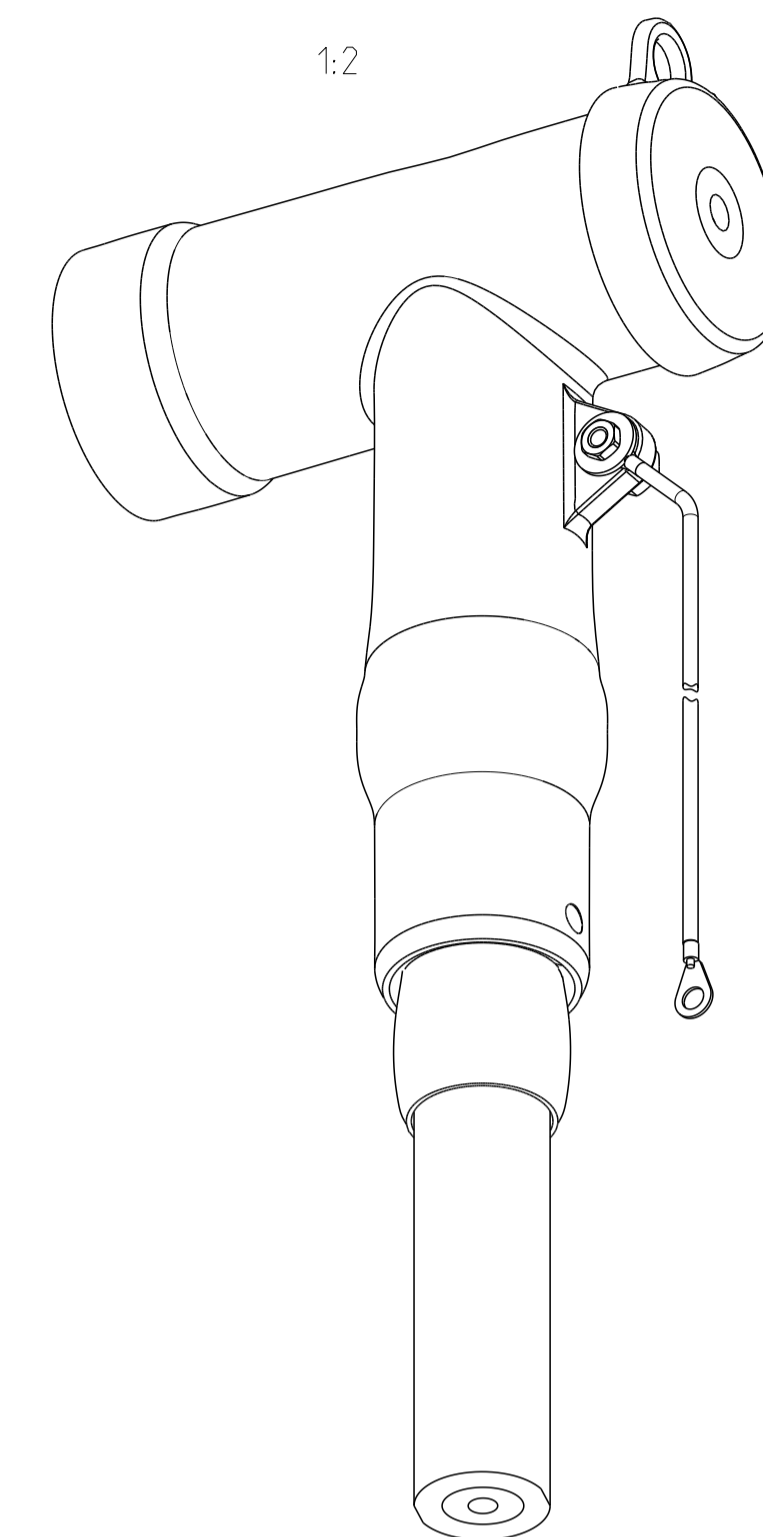


ITEM	QTY	DESCRIPTION
1	1	Threaded Pin M16
2	1	Assembly Main Body
3	1	HEL-75095-800A
4	1	Cable
5	1	Mastic
6	1	Stress Cone Adapter RSTI-SCA
7	1	Spring Wedge
8	1	Hexagon Nut ISO 4035 M16 A2
9	1	Back Plug 24kV
10	1	Covering Endcap
11	1	Clamping screw M6
12	1	Ground Lead
13	1	Washer DIN 9021 6.4 A2
14	1	Hexagon Nut ISO 4035-M6 A2
15	1	Washer DIN 125-8.4 A2



REVISIONS				
P	LTN	DESCRIPTION	DATE	APVD
A		PRODUCTION RELEASE	24.JUL.2022	RK TOF



THIS DRAWING IS A CONTROLLED DOCUMENT.		DWN: RANJITH KUMAR 12NOV2021 CHK: T.FRIEDRICH 12NOV2021 APVD: J.VALENCIA 12NOV2021	TE Connectivity	
DIMENSIONS: mm 0 PLC # # # # 2 PLC # # # # 3 PLC # # # # 4 PLC # # # # ANGLES # # # #		NAME: RSTI-5824 PRODUCT SPEC: - APPLICATION SPEC: -		RESTRICTED TO: -
MATERIAL: - FINISH: -		WEIGHT: - CUSTOMER DRAWING	SIZE: A   00779 CAGE CODE: C=RSTI-5824	SCALE: 1:1 SHEET: 1 OF 1 REV: A