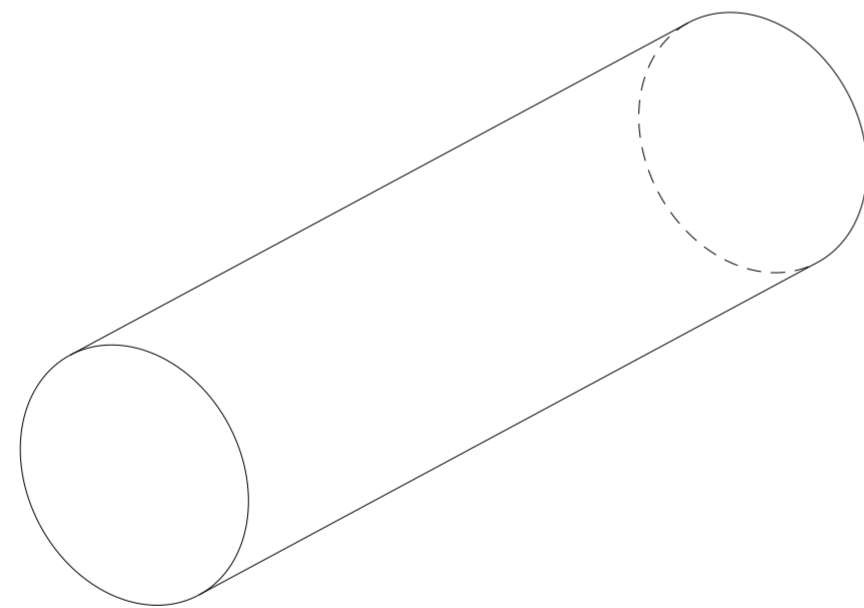
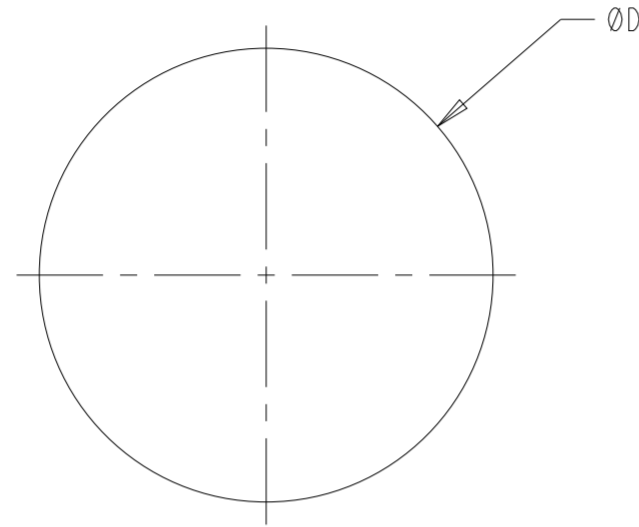


REVISIONS

| P | LTR | DESCRIPTION | DATE      | DWN | APVD |
|---|-----|-------------|-----------|-----|------|
|   | A   | NEW DRAWING | 01AUG2022 | BDA | DH   |
|   |     |             |           |     |      |
|   |     |             |           |     |      |



ISOMETRIC VIEW (NTS)

|       |        |                                    |                   |             |
|-------|--------|------------------------------------|-------------------|-------------|
| 25000 | 4.8    | STAINLESS STEEL (S/S+)             | 116-0048          | 2423838-1   |
| 25000 | 3.2    | STAINLESS STEEL (S/S+)             | 116-0032          | 2423837-1   |
| 25000 | 2.4    | STAINLESS STEEL (S/S+)             | 116-0024          | 2423836-1   |
| 25000 | 4.8    | TIN PLATED COPPER CLAD STEEL (TCS) | 114-0048          | 2423835-1   |
| 25000 | 3.2    | TIN PLATED COPPER CLAD STEEL (TCS) | 114-0032          | 2423834-1   |
| 25000 | 2.4    | TIN PLATED COPPER CLAD STEEL (TCS) | 114-0024          | 2423833-1   |
| 25000 | 4.8    | MONEL ALLOY 400 WIRE (MON)         | 112-0048          | 2423832-1   |
| 25000 | 3.2    | MONEL ALLOY 400 WIRE (MON)         | 112-0032          | 2423831-1   |
| 25000 | 2.4    | MONEL ALLOY 400 WIRE (MON)         | 112-0024          | 2423830-1   |
| 250   | 4.8    | STAINLESS STEEL (S/S+)             | 116-0048-S        | 2423782-1   |
| 250   | 3.2    | STAINLESS STEEL (S/S+)             | 116-0032-S        | 2423781-1   |
| 250   | 2.4    | STAINLESS STEEL (S/S+)             | 116-0024-S        | 2423780-1   |
| 250   | 4.8    | TIN PLATED COPPER CLAD STEEL (TCS) | 114-0048-S        | 2423779-1   |
| 250   | 3.2    | TIN PLATED COPPER CLAD STEEL (TCS) | 114-0032-S        | 2423778-1   |
| 250   | 2.4    | TIN PLATED COPPER CLAD STEEL (TCS) | 114-0024-S        | 2423777-1   |
| 250   | 4.8    | MONEL ALLOY 400 WIRE (MON)         | 112-0048-S        | 2423776-1   |
| 250   | 3.2    | MONEL ALLOY 400 WIRE (MON)         | 112-0032-S        | 2423774-1   |
| 250   | 2.4    | MONEL ALLOY 400 WIRE (MON)         | 112-0024-S        | 2423773-1   |
| L     | ØD±0.8 | MATERIAL                           | ALIAS PART NUMBER | PART NUMBER |

|   |  |                                    |   |                    |                                  |
|---|--|------------------------------------|---|--------------------|----------------------------------|
| THIS DRAWING IS A CONTROLLED DOCUMENT.  |  | DWN<br>BASAVARAJA D A<br>01AUG2022 | TE Connectivity                             |                    |                                  |
| DIMENSIONS:<br>mm   |  | CHK<br>B SELVAPANDIAN<br>01AUG2022 |   |                    |                                  |
|   |  | APVD<br>D. HEMMINGS<br>01AUG2022   | NAME<br>11X - ROUND SOLID KNITTED WIRE MESH |                    |                                  |
| TOLERANCES UNLESS OTHERWISE SPECIFIED:<br>0 PLC ±<br>1 PLC ±<br>2 PLC ±<br>3 PLC ±<br>4 PLC ±<br>ANGLES ±<br>FINISH - |  | PRODUCT SPEC<br>-                  | SIZE<br>A2                                  | CAGE CODE<br>00779 | DRAWING NO<br>ROUND-KNITTED-MESH |
| MATERIAL<br>SEE TABLE   |  | APPLICATION SPEC<br>-              | RESTRICTED TO<br>-                          | SCALE<br>25:1      | SHEET<br>1                       |
|   |  | WEIGHT<br>-                        | REV<br>A                                    |                    |                                  |