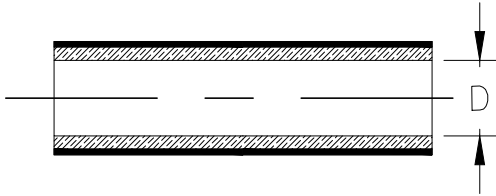


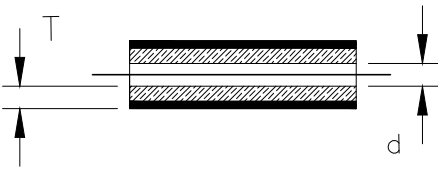
REVISIONS					
P	LTR	DESCRIPTION	DATE	DWN	APVD
	A2	REVISED PER ECR-20-003925	16MAR2020	RK	HD

Component 1 HTAT-12/3-0

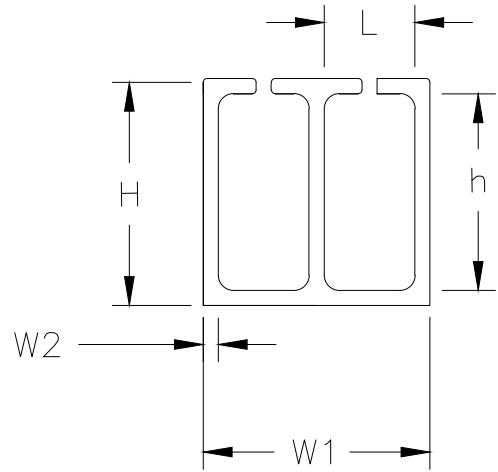
a) Part as supplied



b) Part fully recovered



Component 2 RBK-105-NR5020/A-X



PRODUCT DIMENSIONS & NOTES


DIMENSIONS (in millimetres)

Component 1: HTAT-12/3-0			Component 2: RBK-105-NR5020/A-X				
D	d	T	H	h	L	W1	W2
MIN	MAX	NOM	±20%	±20%	±20%	±20%	±30%
a	b	b					
12.0	3.0	1.4	8.55	6.50	2.75	8.50	1.0
Supplied cut length 40mm ±1.5mm			Supplied cut length 8mm ±0.8mm				
MATERIAL: JACKET: Flame Retarded Modified Polyolefin (Colour: Black) LINER: Hot Melt Adhesive (Colour: Amber)			MATERIAL: Hot Melt Adhesive (Colour: Amber)				

TE Connectivity. All Rights Reserved.

© 2015

©

DIMENSIONS: mm	DWN	09MAR2015	MATERIAL	-	FINISH	-
	CHK	09MAR2015	 TE Connectivity			
TOLERANCES UNLESS OTHERWISE SPECIFIED:	APVD	09MAR2015				
	CD					
0 PLC ± - 1 PLC ± - 2 PLC ± - 3 PLC ± - 4 PLC ± - ANGLES ± -	PRODUCT SPEC	108-120026	NAME	RBK-105-KIT-0102-A0		
	APPLICATION SPEC	-	SIZE	CAGE CODE	DRAWING NO	RESTRICTED TO
	WEIGHT	1.07 g	A4	-	© RBK-105-KIT-0102-A0	-
CUSTOMER DRAWING				SCALE	NTS	SHEET 1 OF 1
						REV A2