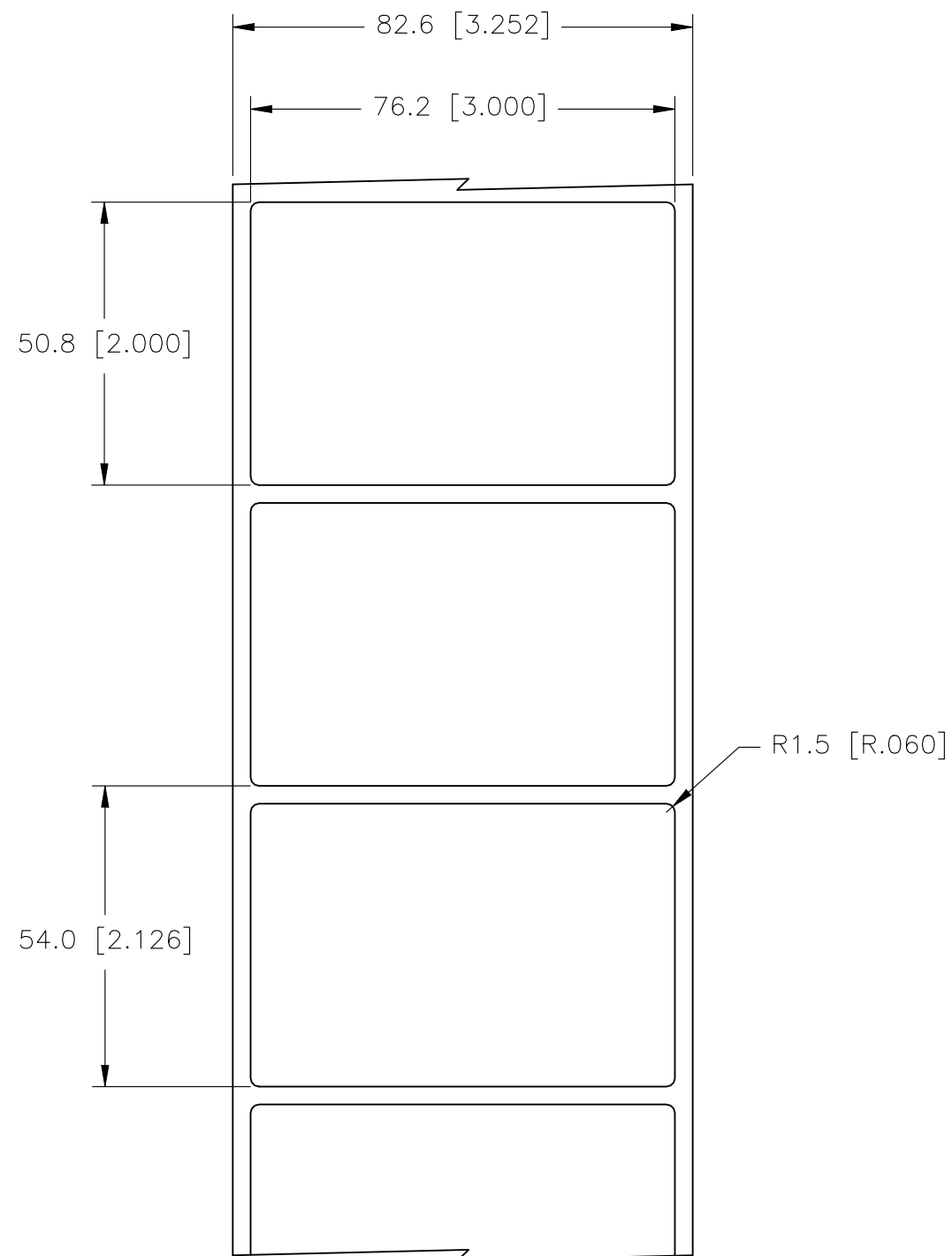


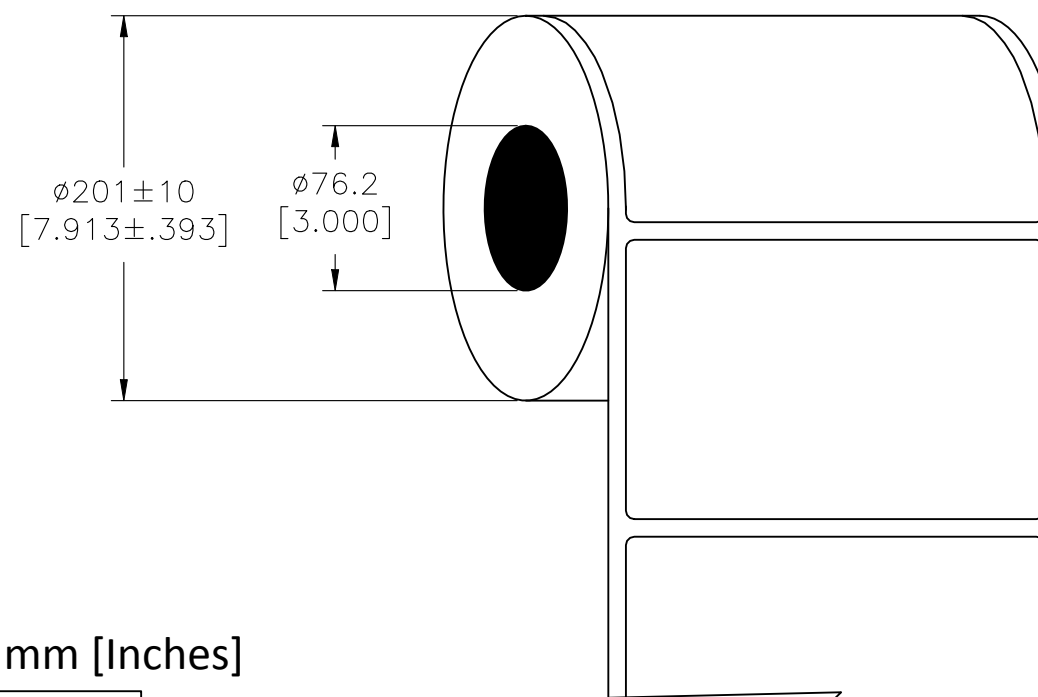
REVISIONS

P	LTR	DESCRIPTION	DATE	DWN	APVD
	A	INITIAL RELEASE	09SEP2021	GK	DB

LABEL AND LINER DESIGN



PRESENTATION



All dimensions in mm [Inches]

TE PN: F28486-000

**OUTSIDE WOUND
LABEL ACROSS: 1
PER ROLL QTY: 2500**

MATERIAL	POLYVINYL FLUORIDE (TEDLAR®)
ADHESIVE TYPE	PERMANENT ACRYLIC
LINER	BROWN KRAFT

3.2 [.126]

TOLERANCES mm [INCH]	
LABEL HEIGHT:	±0.3 [.012]
LABEL WIDTH:	±0.3 [.012]
WEB WIDTH:	±0.8 [.031]
VERTICAL REPEAT:	±0.8 [.031]*
HORIZONTAL REPEAT:	±0.8 [.031]*
PRINT POSITIONING:	±0.8 [.031]*
LEFT MARGIN:	±0.4 [.016]
QUANTITY:	-0 % +2 %
*NON ACCUMULATING	

THIS DRAWING IS A CONTROLLED DOCUMENT.

DIMENSIONS: mm [INCHES]	TOLERANCES UNLESS OTHERWISE SPECIFIED:
	0 PLC ± -
	1 PLC ± -
	2 PLC ± -
	3 PLC ± -
	4 PLC ± -
ANGLES ± -	± -
MATERIAL SEE TABLE	FINISH -

DWN	09SEP2021
CHK	GOPALAKRISHNA HV
APVD	09SEP2021
NAME	D.BURGAT
PRODUCT SPEC	D.BURGAT
APPLICATION SPEC	TTDS-138
WEIGHT	0.530g
CUSTOMER DRAWING	

TE Connectivity				TEDLAR® LABEL - WHITE - 1 ACROSS 76.2mm x 50.8mm (3.0inch x 2.0inch)	
				SIZE	CAGE CODE
A3		FB1U7	C-PVF-762508-2.5-9	-	
SCALE		NTS	SHEET	1 OF 1	REV
					A