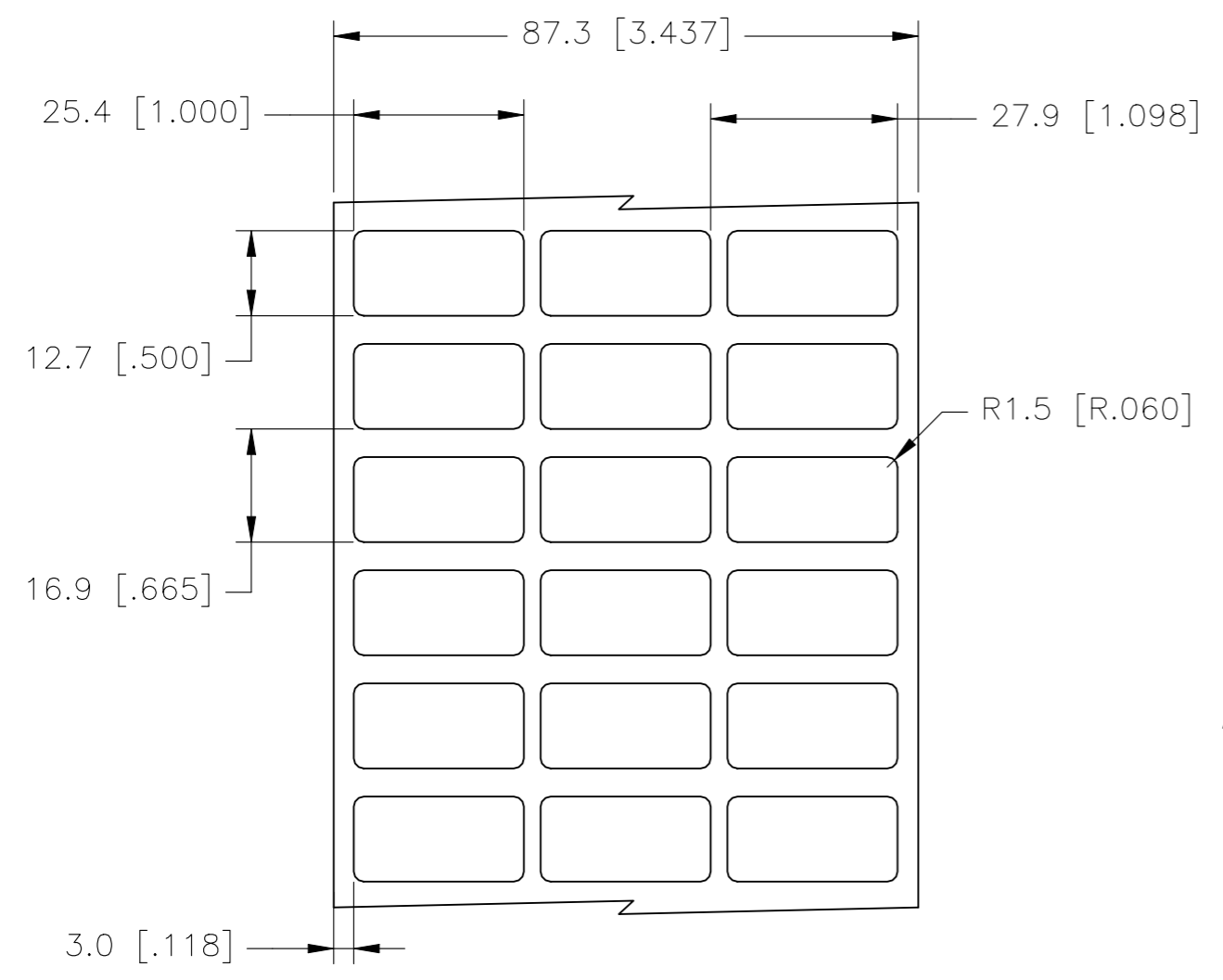
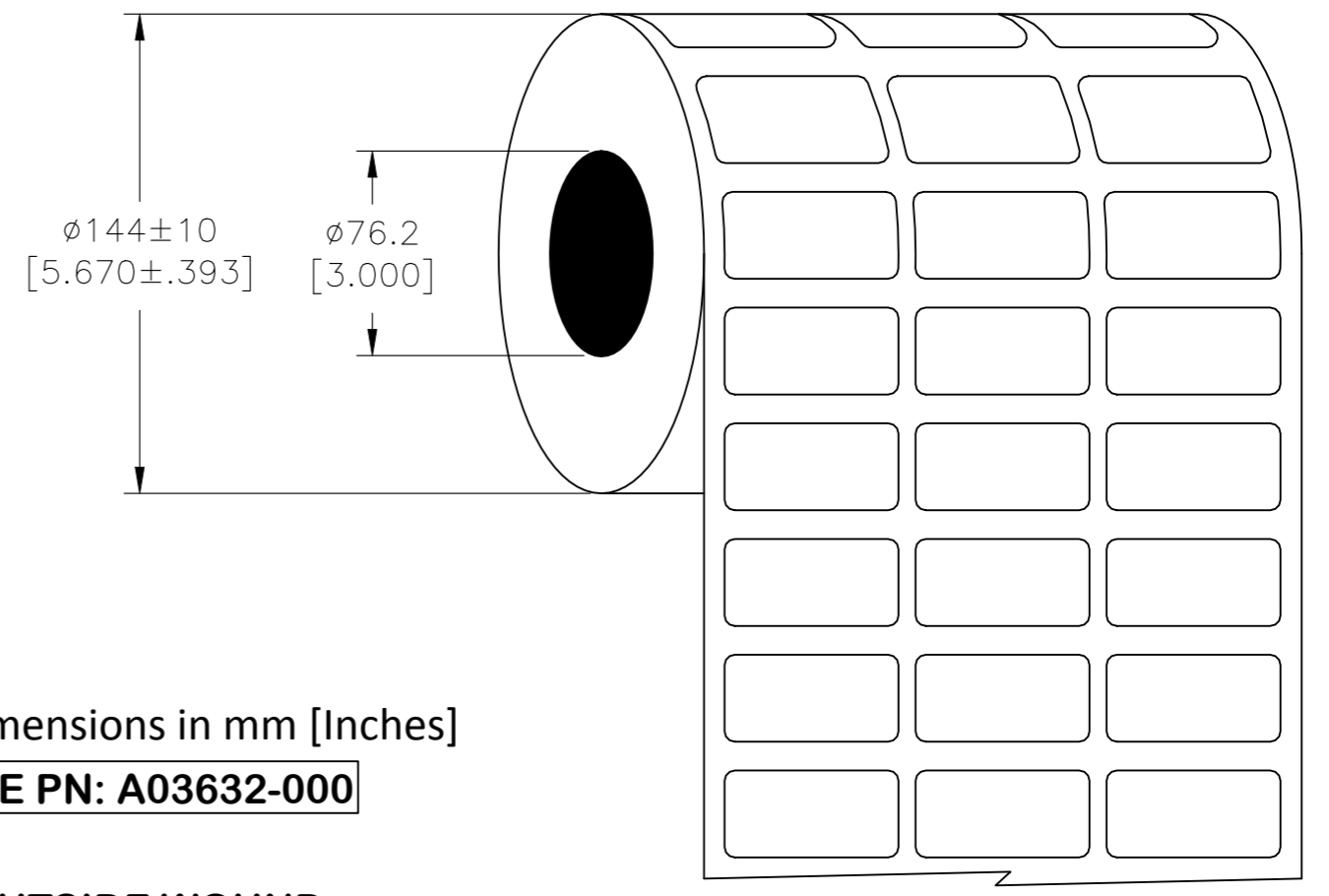


REVISIONS					
P	LTR	DESCRIPTION	DATE	DWN	APVD
	A	INITIAL RELEASE	09SEP2021	GK	DB

### LABEL AND LINER DESIGN



### PRESENTATION



All dimensions in mm [Inches]

**TE PN: A03632-000**

**OUTSIDE WOUND  
LABEL ACROSS: 3  
PER ROLL QTY: 10000**

MATERIAL	POLYVINYL FLUORIDE (TEDLAR®)
ADHESIVE TYPE	PERMANENT ACRYLIC
LINER	BROWN KRAFT

TOLERANCES mm [INCH]	
LABEL HEIGHT:	±0.3 [.012]
LABEL WIDTH:	±0.3 [.012]
WEB WIDTH:	±0.8 [.031]
VERTICAL REPEAT:	±0.8 [.031]*
HORIZONTAL REPEAT:	±0.8 [.031]*
PRINT POSITIONING:	±0.8 [.031]*
LEFT MARGIN:	±0.4 [.016]
QUANTITY:	-0 % +2 %
*NON ACCUMULATING	

THIS DRAWING IS A CONTROLLED DOCUMENT.

DIMENSIONS: mm [INCHES]	TOLERANCES UNLESS OTHERWISE SPECIFIED:
	0 PLC ± -
	1 PLC ± -
	2 PLC ± -
	3 PLC ± -
	4 PLC ± -
ANGLES ± -	± -
MATERIAL SEE TABLE	FINISH -

DWN	09SEP2021
CHK	GOPALAKRISHNA HV
APVD	09SEP2021
PRODUCT SPEC	D.BURGAT
APPLICATION SPEC	TTDS-138
WEIGHT	0.044g
CUSTOMER DRAWING	

TE Connectivity			
NAME			
TEDLAR® LABEL - WHITE - 3 ACCROSS 25.4mm x 12.7mm (1.0inch x 0.5inch)			
SIZE	CAGE CODE	DRAWING NO	RESTRICTED TO
A3	FB1U7	C-PVF-254127-10-9	-
SCALE		SHEET	REV
NTS		1 OF 1	A