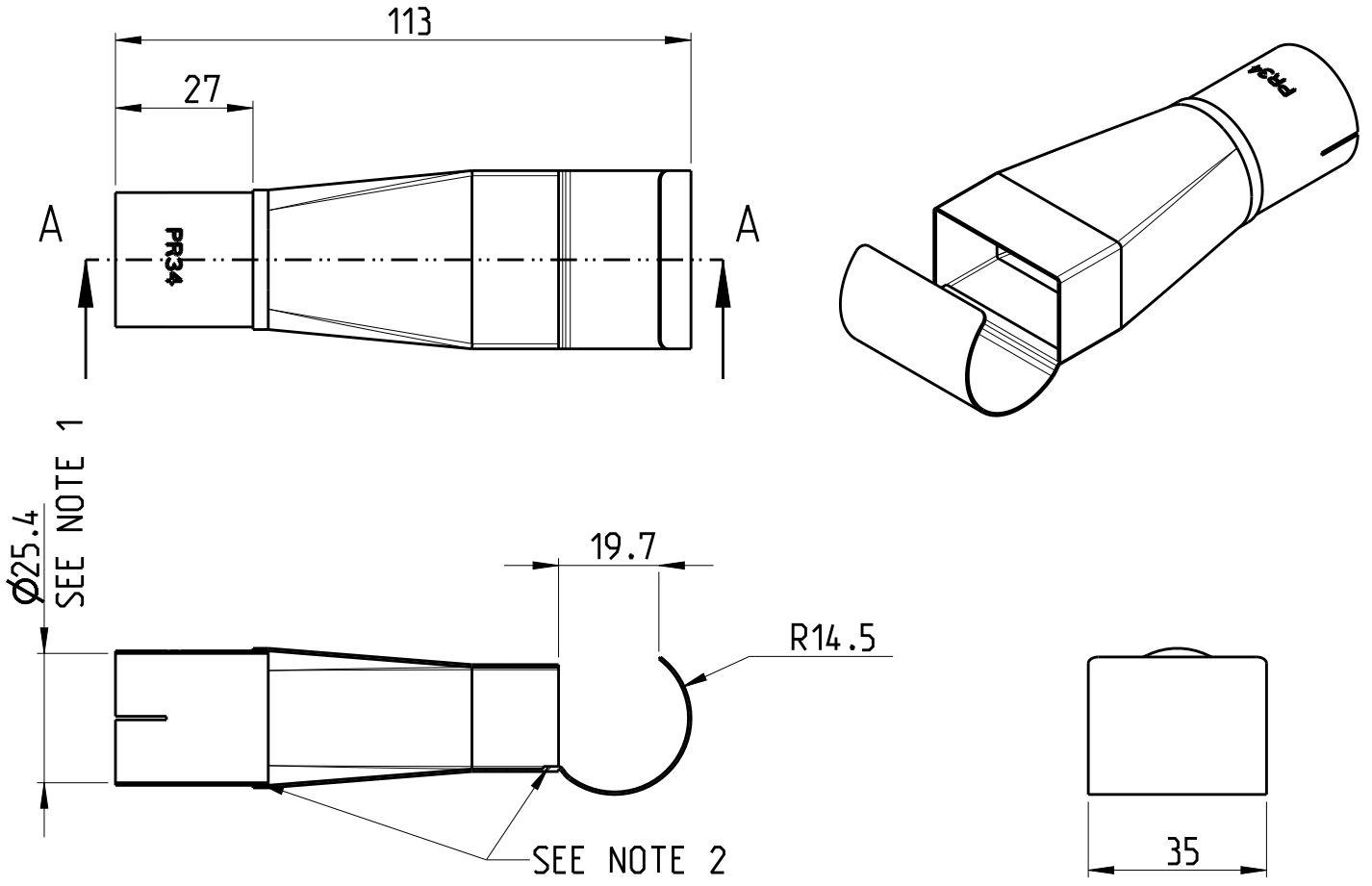


REVISIONS					
P	LTR	DESCRIPTION	DATE	DWN	APVD
	A	INITIAL RELEASE	10DEC2019	MG	UM



SECTION A-A

- NOTES:
 1. FIT OBTAINED FOR 25.4MM GAUGE SIZE.
 2. THREE PART WELDED CONSTRUCTION.
 3. TPCN:989111-000

© 2019 TE Connectivity. All Rights Reserved.

DIMENSIONS: mm		DWN M.GOWDA 10DEC2019	MATERIAL SS 0.5 THK	FINISH -			
TOLERANCES UNLESS OTHERWISE SPECIFIED:		CHK T.CORREIA 10DEC2019					
0 PLC ±0.5 1 PLC ±0.2 2 PLC ±0.02 3 PLC ± 4 PLC ± ANGLES ±0°30'		APVD U.VARMA 10DEC2019					
		PRODUCT SPEC -	NAME PR-34-REFLECTOR				
		APPLICATION SPEC -	SIZE A 4	CAGE CODE 06090	DRAWING NO C-PR-34-REFLECTOR	RESTRICTED TO -	
		WEIGHT -	CUSTOMER DRAWING		SCALE NTS	SHEET 1 OF 1	REV A