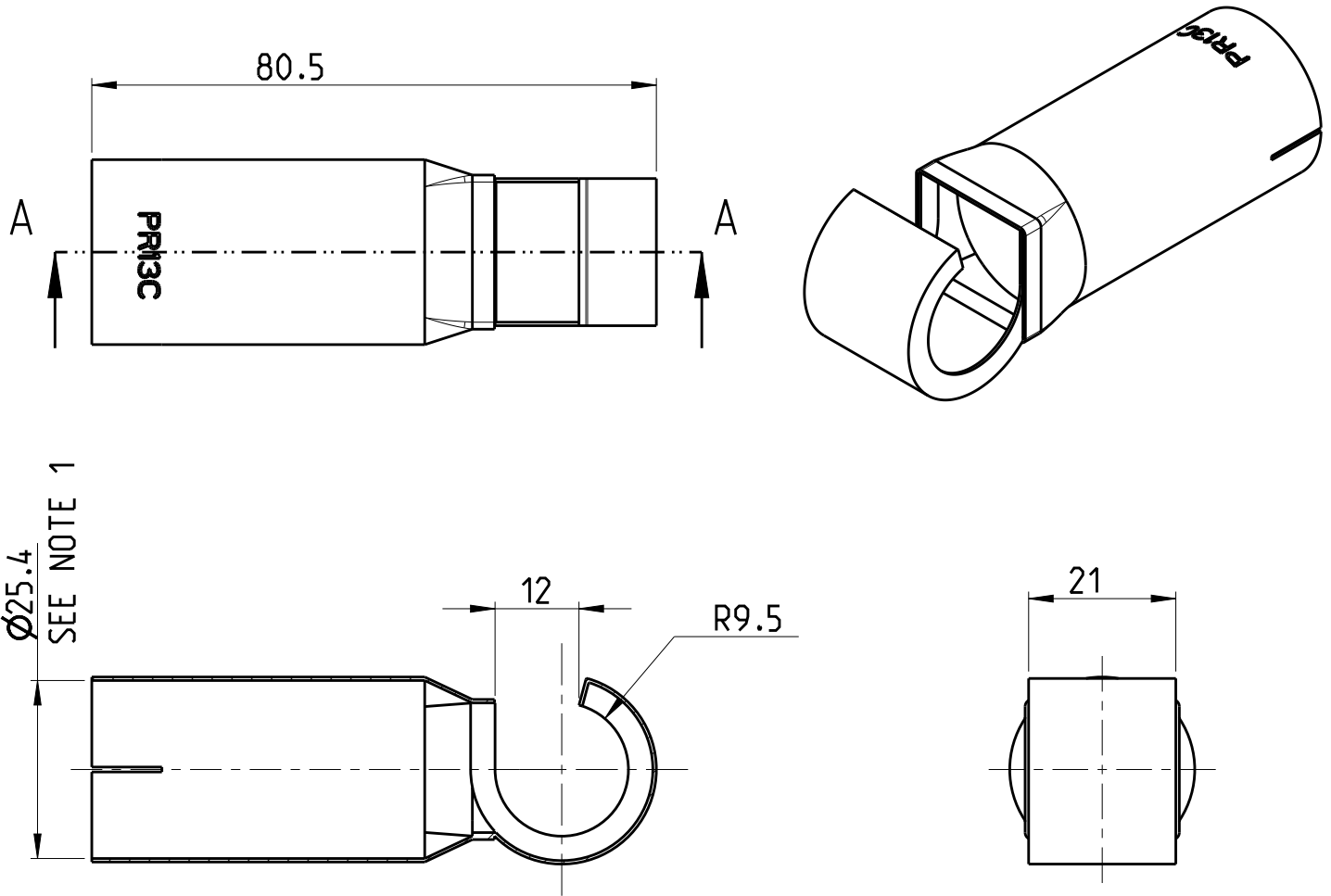


REVISIONS					
P	LTR	DESCRIPTION	DATE	DWN	APVD
	A	INITIAL RELEASE	10DEC2019	MG	UV



SECTION A-A

- NOTES:  
 1. FIT OBTAINED FOR 25.4MM GAUGE SIZE.  
 2. TCPN: 991974-000

© 2019 TE Connectivity. All Rights Reserved.

DIMENSIONS: mm  TOLERANCES UNLESS OTHERWISE SPECIFIED: 0 PLC ±0.5 1 PLC ±0.2 2 PLC ±0.02 3 PLC ± 4 PLC ± ANGLES ±0°30'	DWN M.GOWDA 10DEC2019 CHK T.CORREIA 10DEC2019 APVD U.VARMA 10DEC2019	MATERIAL SS 0.5 THK FINISH -	TE Connectivity	
	PRODUCT SPEC - APPLICATION SPEC - WEIGHT -	NAME PR-13C-REFLECTOR SIZE A4 CAGE CODE 06090 DRAWING NO C-PR-13C-REFLECTOR	RESTRICTED TO -	SCALE NTS SHEET 1 OF 1 REV A
CUSTOMER DRAWING				