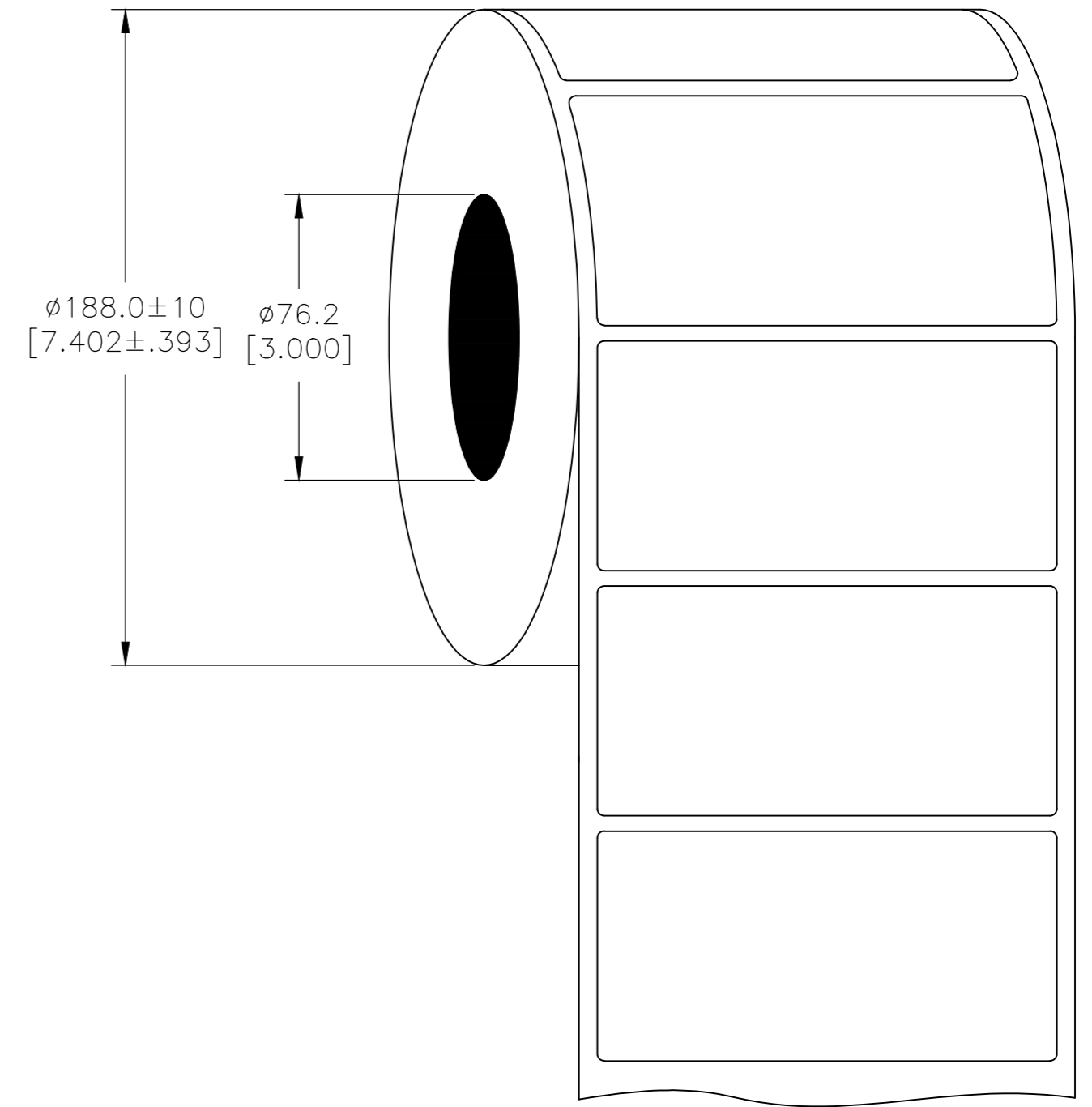
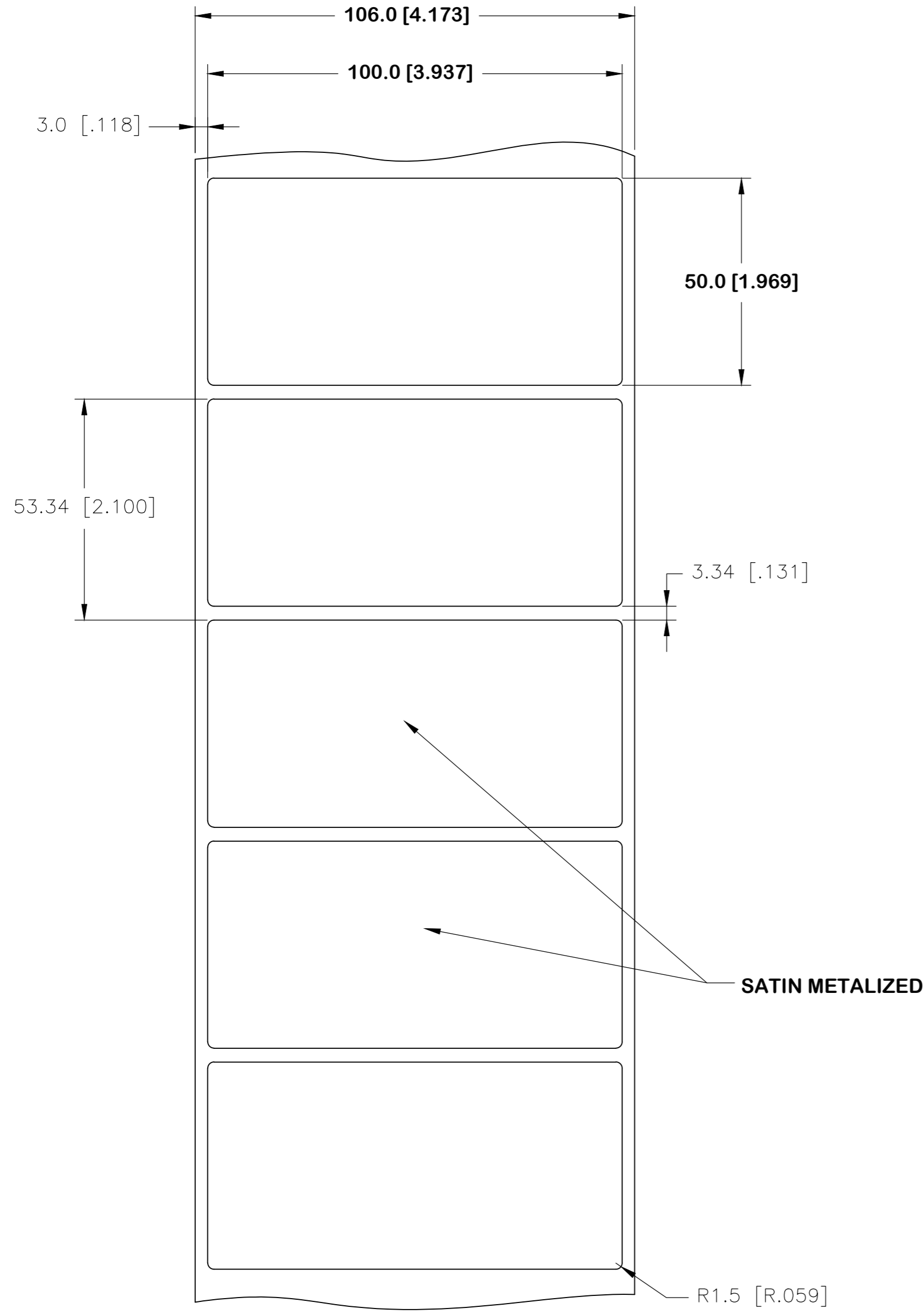


REVISIONS					
P	LTR	DESCRIPTION	DATE	DWN	APVD
	A	NEW DRAWING	04OCT2017	GK	DB
	A1	UL TABLE UPDATED	06JUN2018	GK	DB

LABEL AND LINER DESIGN

PRESENTATION



OUTSIDE WOUND LABEL ACROSS: 1 PER ROLL QTY: 500

All dimensions in mm [Inch]

TE PN: 2322614-1

UL-MARKING AND LABELLING SYSTEMS	
PGJ12 - Printing Materials - Component (UL 969)	
PGJ18 - Printing Materials Certified for Canada - Component (CSA C22.2 No. 0.15)	
File: MH17292	Product design: PL-8A Ribbon: TTB-XXXSC/YYYYAQ529

TOLERANCES mm [INCH]	
LABEL HEIGHT:	±0.3 [.012]
LABEL WIDTH:	±0.3 [.012]
WEB WIDTH:	±0.5 [.020]
VERTICAL REPEAT:	±0.5 [.020]*
HORIZONTAL REPEAT:	±0.5 [.020]*
LABEL POSITIONING:	±0.5 [.020]*
LEFT MARGIN:	±0.5 [.020]
QUANTITY:	-0 % +2 %
*NON ACCUMULATING	

MATERIAL		POLYESTER SATIN METALIZED	
ADHESIVE TYPE		ACRYLIC PE FOAM	
LINEAR		BROWN KRAFT	
DWN		GOPALAKRISHNA HV	
CHK		D.BURGAT	
APVD		D.BURGAT	
PRODUCT SPEC		TTDS-245	
APPLICATION SPEC		-	
WEIGHT		2.355g	
CUSTOMER DRAWING		SCALE NTS SHEET 1 OF 1 REV A1	