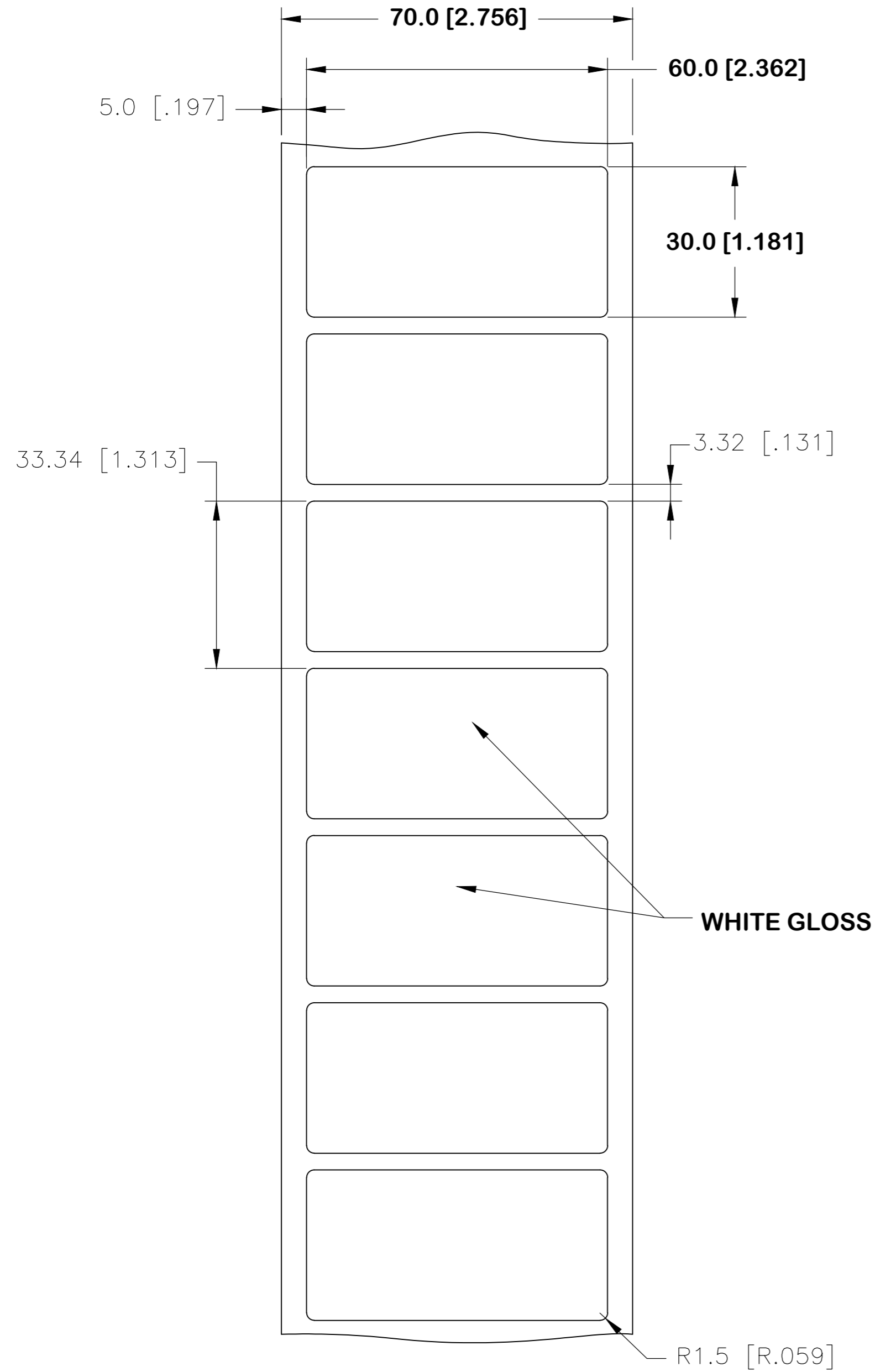
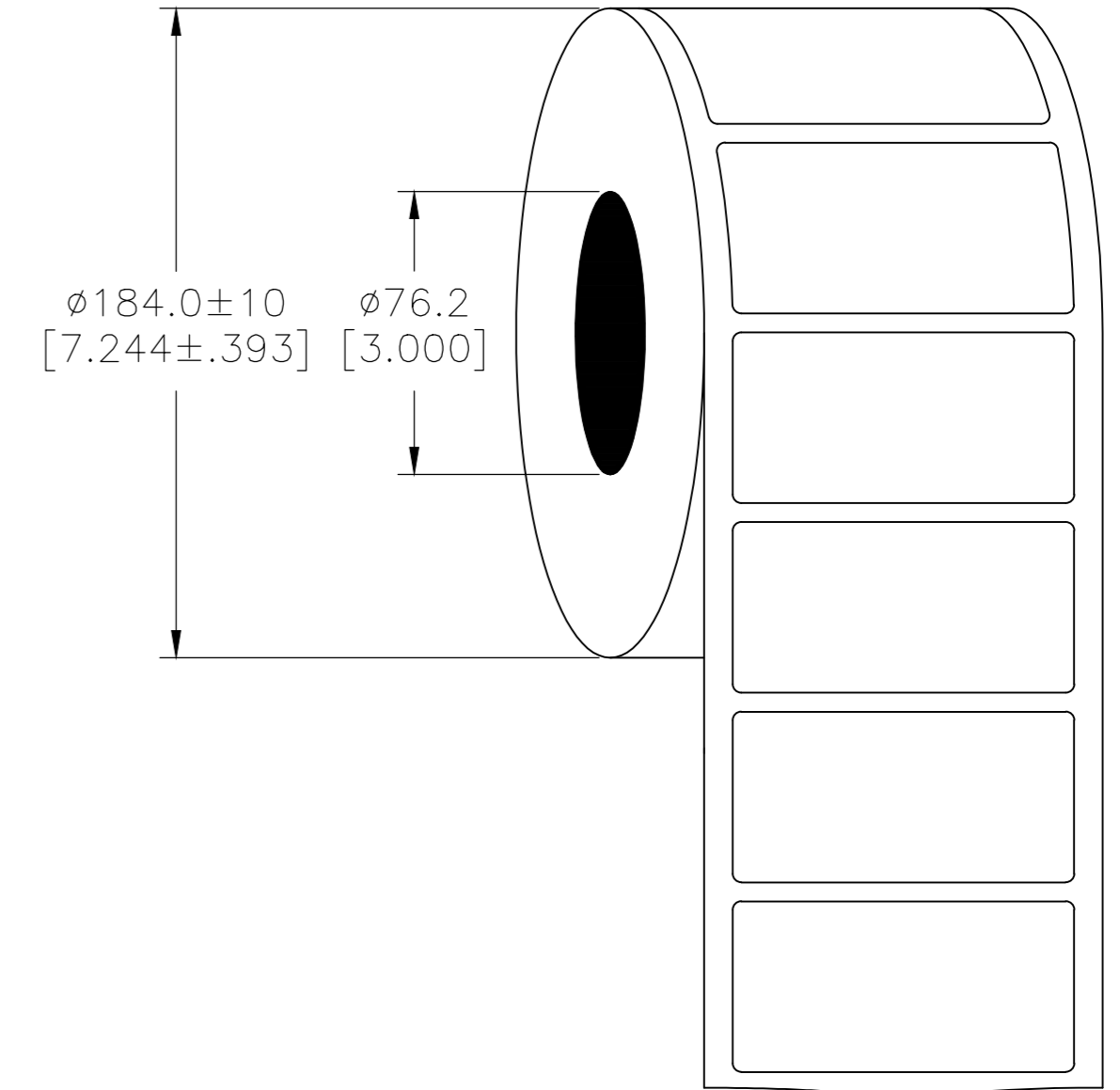


REVISIONS					
P	LTR	DESCRIPTION	DATE	DWN	APVD
	A	NEW DRAWING	07OCT2017	GK	DB
	A1	UL TABLE UPDATED	06JUN2018	GK	DB

### LABEL AND LINER DESIGN



### PRESENTATION



**OUTSIDE WOUND LABEL ACROSS: 1 PER ROLL QTY: 750**

All dimensions in mm [Inch]

**TE PN: 2323559-1**

UL-MARKING AND LABELLING SYSTEMS		
PGJ12 - Printing Materials - Component (UL 969)		
PGJ18 - Printing Materials Certified for Canada - Component (CSA C22.2 No. 0.15)		
File: MH17292	Product design: <b>PL-9</b>	Ribbon: TTB-XXXSC/YYYYAQ529

TOLERANCES mm [INCH]	
LABEL HEIGHT:	$\pm 0.3$ [.012]
LABEL WIDTH:	$\pm 0.3$ [.012]
WEB WIDTH:	$\pm 0.5$ [.020]
VERTICAL REPEAT:	$\pm 0.5$ [.020]*
HORIZONTAL REPEAT:	$\pm 0.5$ [.020]*
LABEL POSITIONING:	$\pm 0.5$ [.020]*
LEFT MARGIN:	$\pm 0.5$ [.020]
QUANTITY:	-0 % +2 %
*NON ACCUMULATING	

DIMENSIONS: mm [INCHES]	
TOLERANCES UNLESS OTHERWISE SPECIFIED:	
0 PLC	$\pm$
1 PLC	$\pm$
2 PLC	$\pm$
3 PLC	$\pm$
4 PLC	$\pm$
ANGLES	$\pm$

MATERIAL	POLYESTER WHITE GLOSS	
ADHESIVE TYPE	ACRYLIC PE FOAM	
LINEAR	BROWN KRAFT	
DWN	GOPALAKRISHNA HV	
CHK	D.BURGAT	
APVD	D.BURGAT	
PRODUCT SPEC	TTDS-245	
APPLICATION SPEC	-	
WEIGHT	0.848 <sub>g</sub>	A2 FB1U7
CUSTOMER DRAWING	SCALE NTS	SHEET 1 of 1