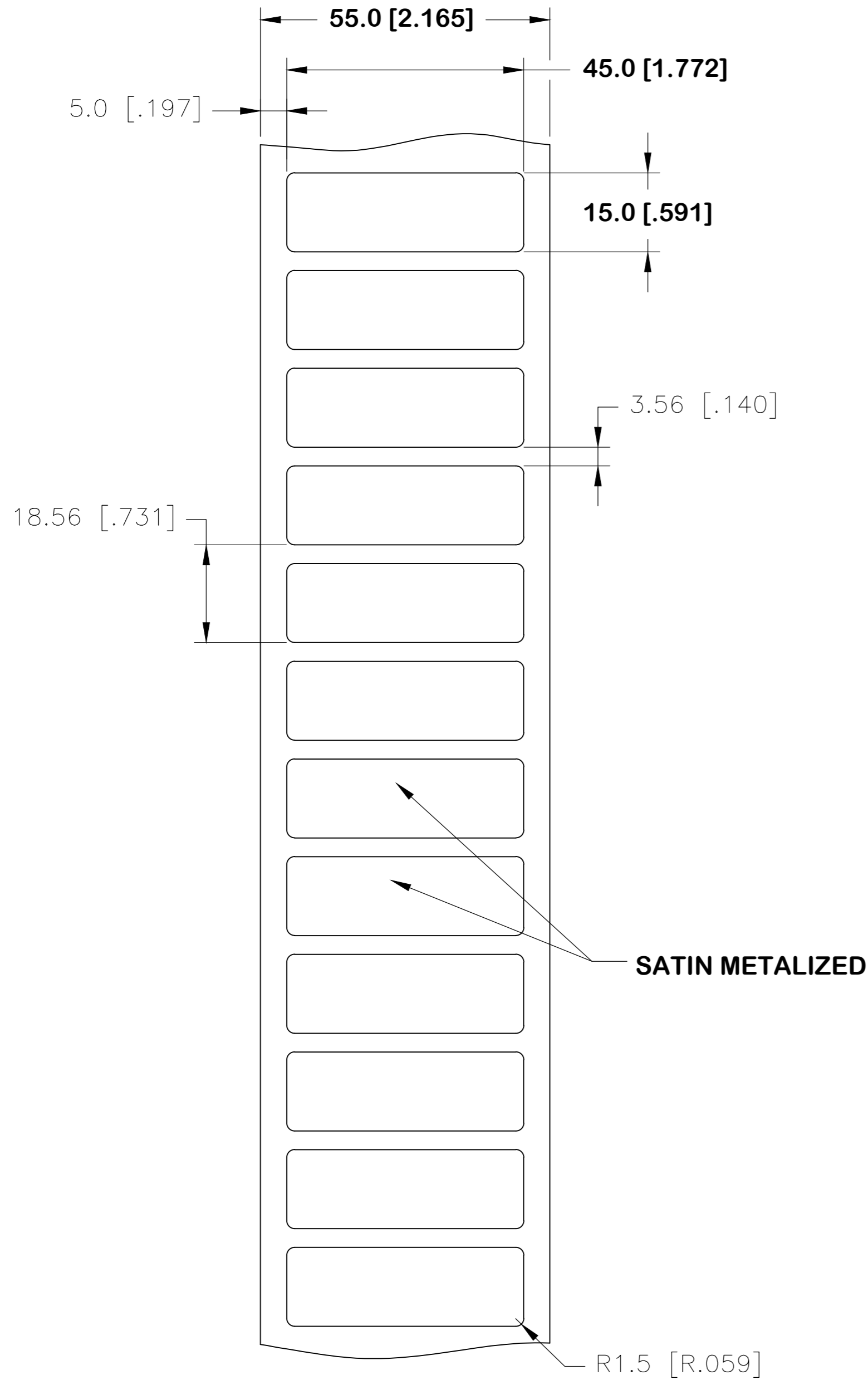


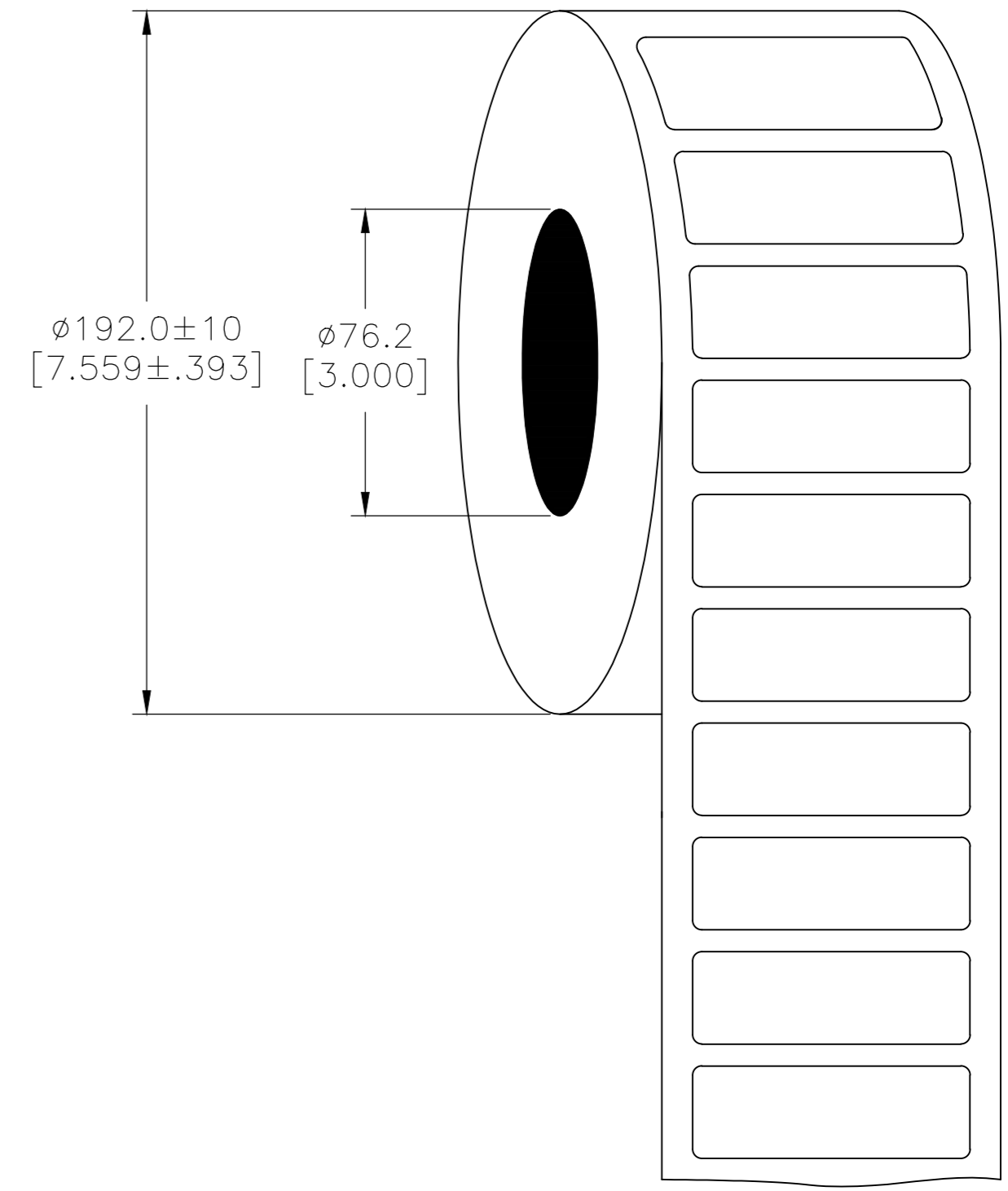
THIS DRAWING IS UNPUBLISHED. RELEASED FOR PUBLICATION JUN , 2018.
 © COPYRIGHT 2017 By TE Connectivity ALL RIGHTS RESERVED.

REVISIONS					
P	LTR	DESCRIPTION	DATE	DWN	APVD
	A	NEW DRAWING	07OCT2017	GK	DB
	A1	UL TABLE UPDATED	06JUN2018	GK	DB

LABEL AND LINER DESIGN



PRESENTATION



OUTSIDE WOUND LABEL ACROSS: 1 PER ROLL QTY: 1500

All dimensions in mm [Inch]

TE PN: 2322590-1

UL-MARKING AND LABELLING SYSTEMS	
PGJ12 - Printing Materials - Component (UL 969)	
PGJ18 - Printing Materials Certified for Canada - Component (CSA C22.2 No. 0.15)	
File: MH17292	Product design: PL-8A Ribbon: TTB-XXXSC/YYYYAQ529

TOLERANCES mm [INCH]	
LABEL HEIGHT:	± 0.3 [.012]
LABEL WIDTH:	± 0.3 [.012]
WEB WIDTH:	± 0.5 [.020]
VERTICAL REPEAT:	± 0.5 [.020]*
HORIZONTAL REPEAT:	± 0.5 [.020]*
LABEL POSITIONING:	± 0.5 [.020]*
LEFT MARGIN:	± 0.5 [.020]
QUANTITY:	-0 % +2 %
*NON ACCUMULATING	

DIMENSIONS: mm [INCHES]	
SEE TABLE	

MATERIAL		POLYESTER SATIN METALIZED	
ADHESIVE TYPE	LINEAR	ACRYLIC PE FOAM BROWN KRAFT	
THIS DRAWING IS A CONTROLLED DOCUMENT.		TE Connectivity	
TOLERANCES UNLESS OTHERWISE SPECIFIED:		PANEL LABEL-SATIN METALIZED	
0 PLC ±		45.0 x 15.0mm [1.772 x 0.591inch]	
1 PLC ± -		-	
2 PLC ± -		-	
3 PLC ± -		-	
4 PLC ± -		-	
ANGLES ± -		-	
MATERIAL		MATERIAL	
FINISH		FINISH	
SEE TABLE		SATIN	
DWN: GOPALAKRISHNA HV		D.BURGAT	
CHK: D.BURGAT		D.BURGAT	
APVD: D.BURGAT		D.BURGAT	
PRODUCT SPEC		TTDS-245	
APPLICATION SPEC		-	
WEIGHT		0.318g	
CUSTOMER DRAWING		SCALE NTS	
SIZE		A2	
CAGE CODE		FB1U7	
DRAWING NO		PL-045015-1.5-8A	
RESTRICTED TO		-	
SHEET		1 of 1	
REV		A1	