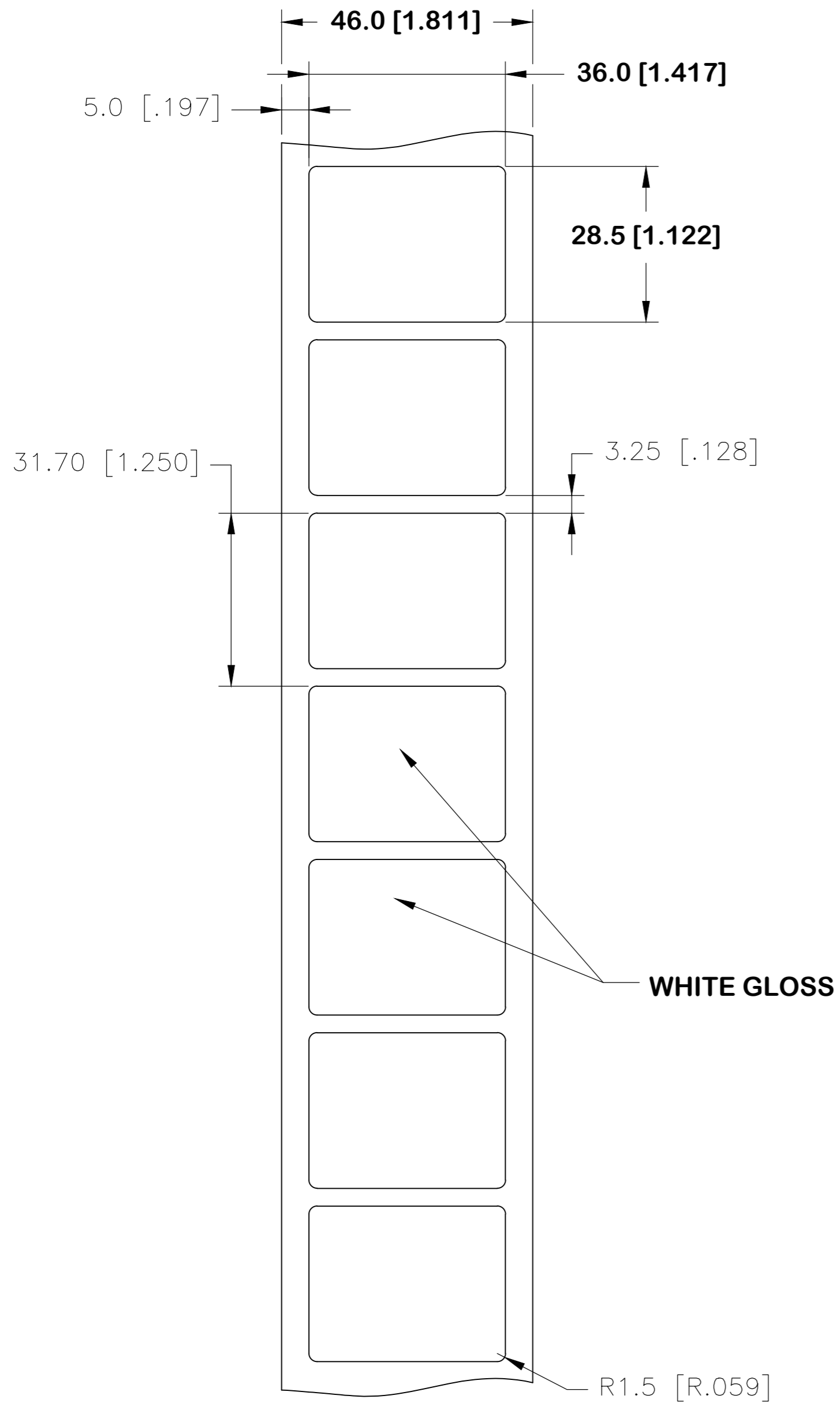
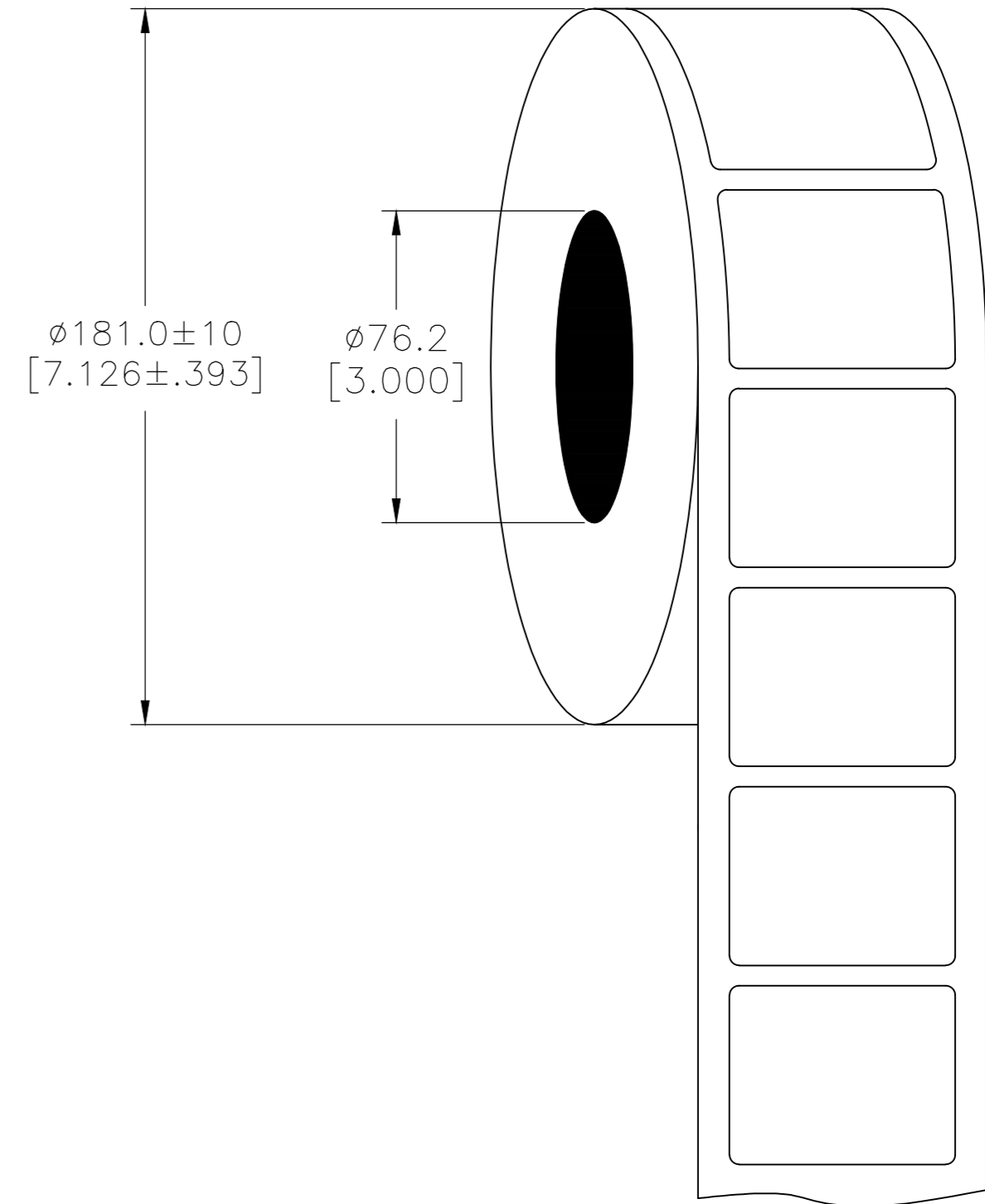


REVISIONS					
P	LTR	DESCRIPTION	DATE	DWN	APVD
	A	NEW DRAWING	21SEP2017	GK	DB
	A1	UL TABLE UPDATED	06JUN2018	GK	DB

LABEL AND LINER DESIGN



PRESENTATION



All dimensions in mm [Inch]

TE PN: 2323552-1

UL-MARKING AND LABELLING SYSTEMS		
PGJ12 - Printing Materials - Component (UL 969)		
PGJ18 - Printing Materials Certified for Canada - Component (CSA C22.2 No. 0.15)		
File: MH17292	Product design: PL-9	Ribbon: TTB-XXXSC/YYYYAQ529

TOLERANCES mm [INCH]	
LABEL HEIGHT:	± 0.3 [.012]
LABEL WIDTH:	± 0.3 [.012]
WEB WIDTH:	± 0.5 [.020]
VERTICAL REPEAT:	± 0.5 [.020]*
HORIZONTAL REPEAT:	± 0.5 [.020]*
LABEL POSITIONING:	± 0.5 [.020]*
LEFT MARGIN:	± 0.5 [.020]
QUANTITY:	-0 % +2 %
*NON ACCUMULATING	

MATERIAL		POLYESTER WHITE GLOSS	
ADHESIVE TYPE		ACRYLIC PE FOAM	
LINEAR		BROWN KRAFT	
DWN	21SEP2017	GOPALAKRISHNA HV	
CHK	21SEP2017	D.BURGAT	
APVD	21SEP2017	D.BURGAT	
PRODUCT SPEC	TTDS-245	NAME	
APPLICATION SPEC		PANEL LABEL-WHITE	
WEIGHT	0.483g	36.0 x 28.5mm [1.417 x 1.122inch]	
CUSTOMER DRAWING		SIZE	A2
		CAGE CODE	FB1U7
		DRAWING NO	PL-036028.5-0.75-9
		RESTRICTED TO	
		SCALE	NTS
		SHEET	1 of 1
		REV	A1