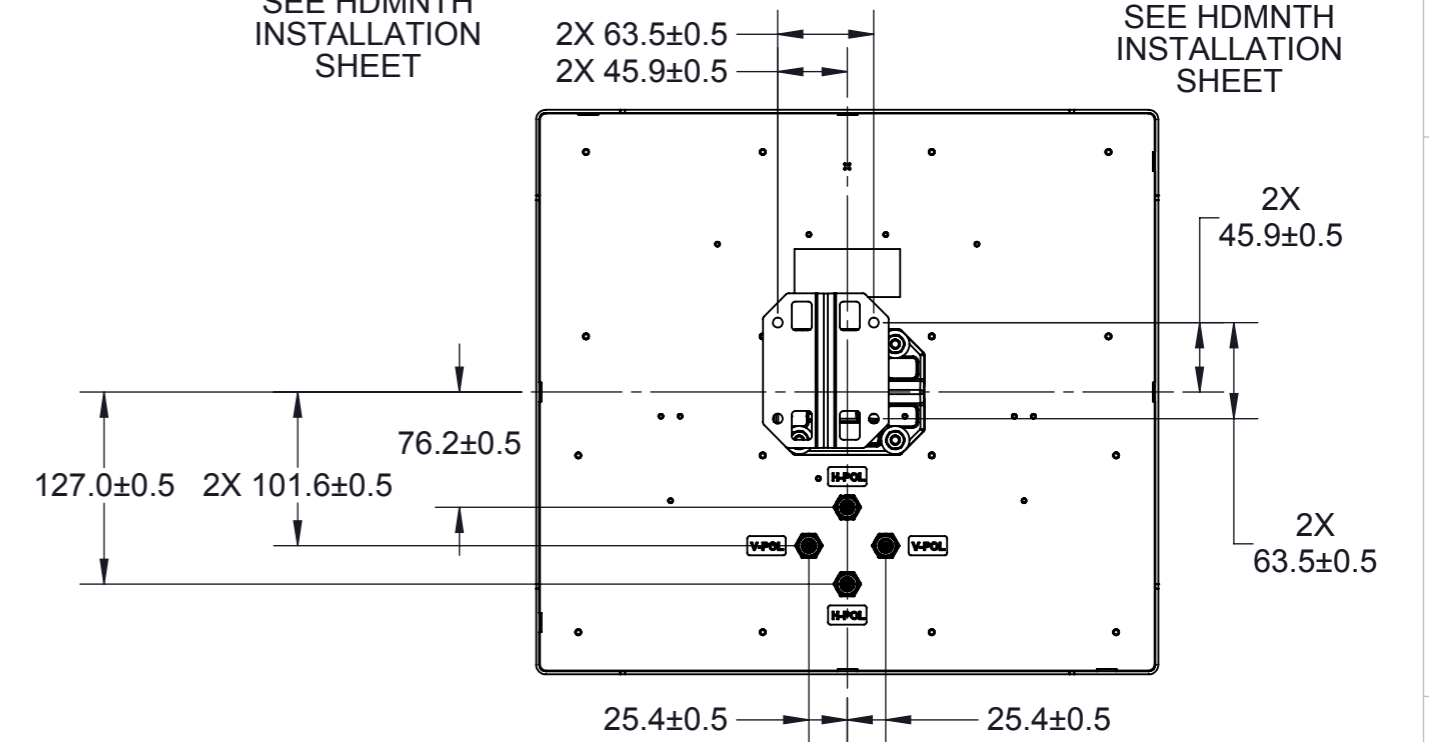
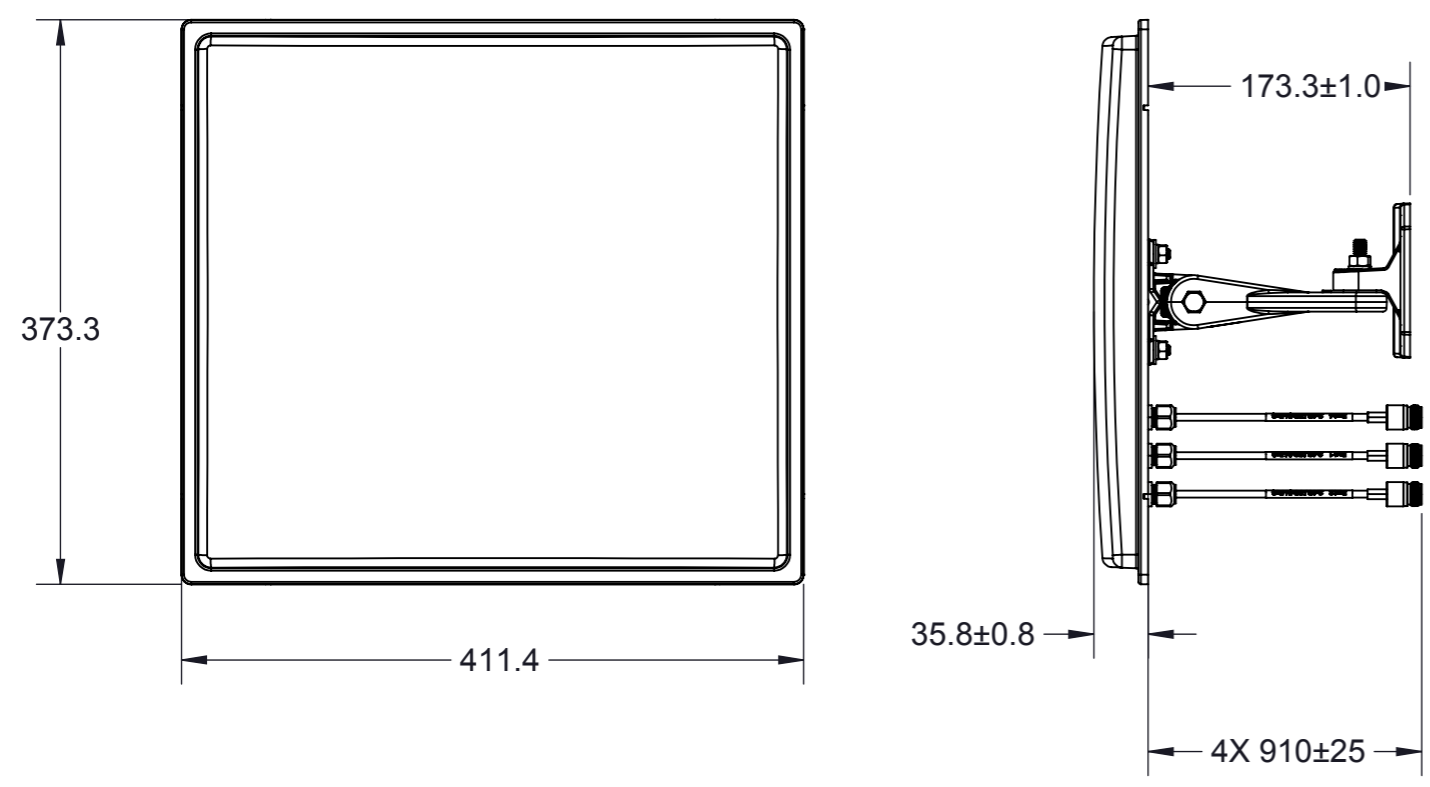
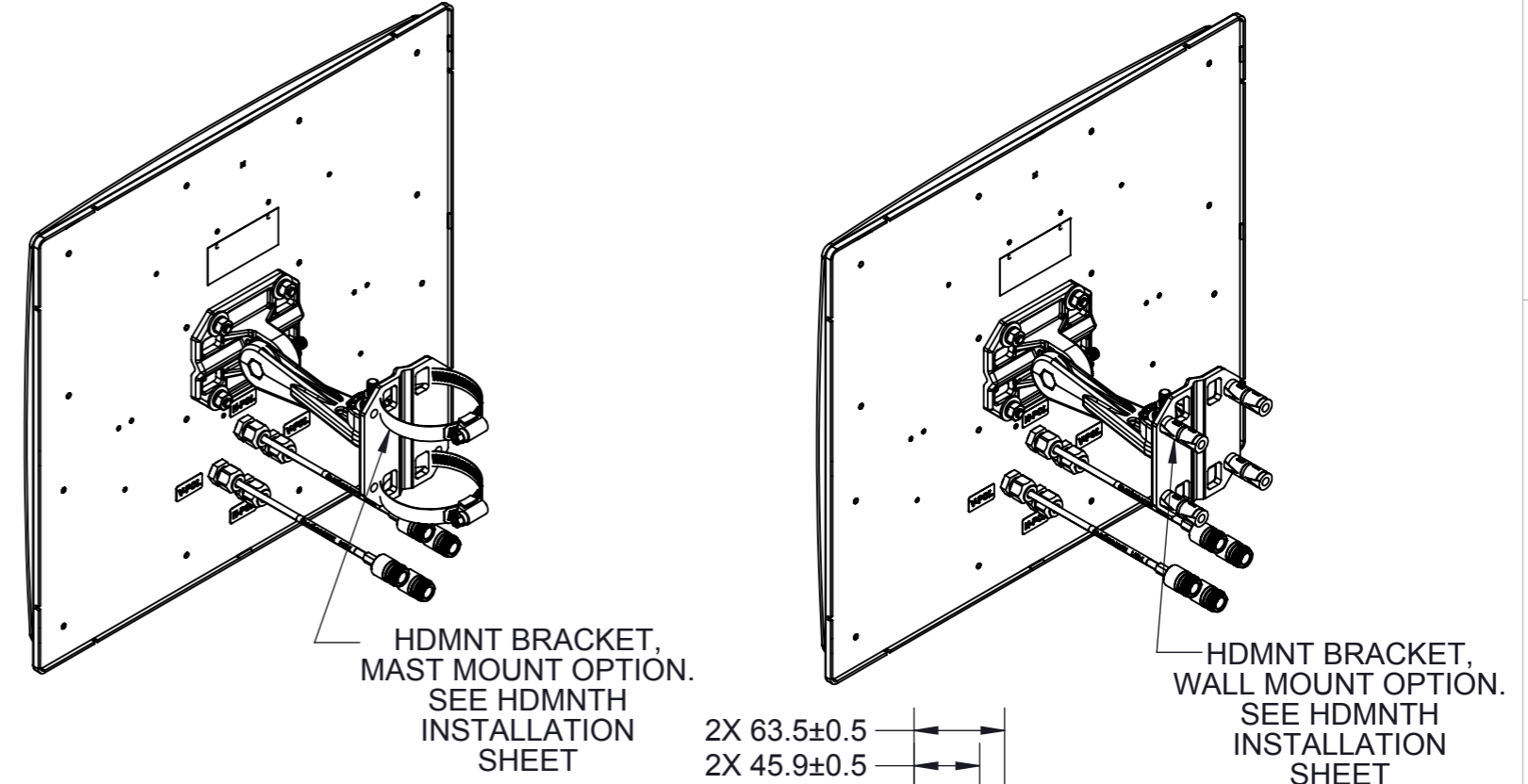


Parameter	Performance	
Laird Model Number	PDQ244915-91NF	
Frequency	2400-2500 MHz	4900-5950 MHz
Peak Gain (with 910 mm cable)	11.1 dBi	15.0 dBi
Average Gain (with 910 mm cable)	10.7 dBi	13.4 dBi
Azimuth Plane 3-dB Beamwidth V-Pol, Typical	48°	21°
Azimuth Plane 3-dB Beamwidth H-Pol, Typical	50°	21°
Elevation Plane 3-dB Beamwidth V-Pol, Typical	48°	18°
Elevation Plane 3-dB Beamwidth H-Pol, Typical	47°	20°
Polarization	2 Ports Horizontal, 2 Ports Vertical	
VSWR	<2.0:1	
Impedance	50 Ω	
Maximum Input Power (per port)	10 Watts	
Port to Port Isolation	>30 dB	
F/B Ratio	>25 dB	
Cable Length	4X 910 mm ±25.0	
Cable Type	Low Temperature, Plenum Rated Cable	
RF Connector	4X Type-N Female	
Radome Material	ASA, White	
Weight	1.58 Kg (3.48 lb) w/out HDMNT	2.28 Kg (5.03 lb) with HDMNT
Mounting	(44-57 mm) Mast or Concrete Wall (HDMNT Kit)	
Ingression Protection	IP-67	
Operating Temperature	-40°C to +70°C	
Storage Temperature	-40°C to +85°C	

REVISIONS					
REV.	ECN#	ZONE	DESCRIPTION	CHANGED BY/DATE	APPROVED BY/DATE
F01	ECN-IAS-04588	ALL	MO PRINT RELEASE	YJT/ 09SEP15	CYH/ 09SEP15
F02	ECN-IAS-04728	ALL	UPDATED Port to Port Isolation TO 30dB, WAS 25dB	YJT/ 15OCT15	CYH/ 15OCT15



MATERIAL: N/A		THIRD ANGLE PROJECTION		 IAS, PENANG MALAYSIA	
FINISH: N/A		DO NOT SCALE DRAWING			
APPROVALS		DATE		TITLE: MOUNTING & OUTLINE, PDQ244915-91NF	
DRAWN BY	YJ TEOH	22JUL15			
ELEC. ENG.	KJ NG	22JUL15			
MECH. ENG.	CY HANG	22JUL15			
MFG./OPS.	CH FONG	22JUL15		SIZE: A3	
				DWG. NO. PDQ244915-91NFMO	
				REV F02	
				SCALE: 1:5	
				PREVIOUS#	
				SHEET 1 OF 2	

UNLESS OTHERWISE NOTED, THIS DOCUMENT CONTAINS LAIRD TECHNOLOGIES CONFIDENTIAL INFORMATION. REPRODUCTION, USE, DISCLOSURE OR TRANSMITTAL OF ALL OR ANY PART OF THIS DOCUMENT IS PROHIBITED EXCEPT TO THE EXTENT APPROVED IN WRITING BY AN AUTHORIZED REPRESENTATIVE OF LAIRD TECHNOLOGIES. LAIRD TECHNOLOGIES RESERVES ALL RIGHTS UNDER PATENTS, TRADEMARKS, COPYRIGHTS AND TRADE SECRETS. COPYRIGHT, LAIRD TECHNOLOGIES 2014. ALL RIGHTS RESERVED.

6

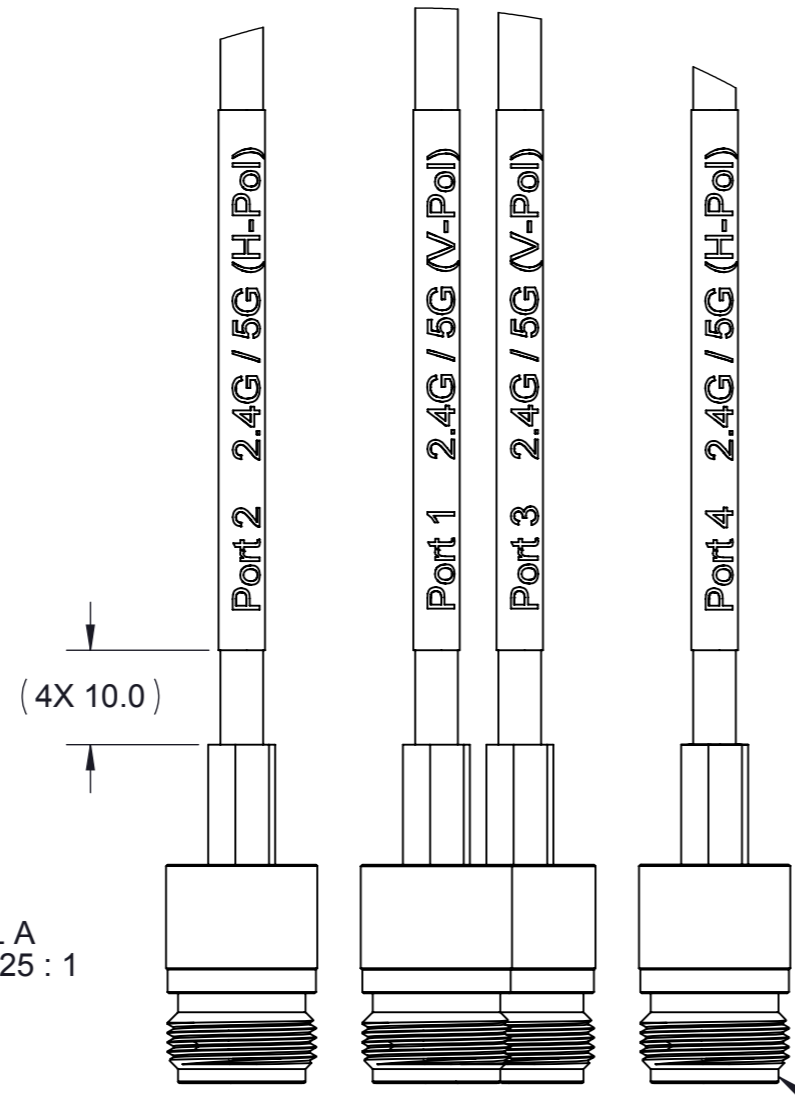
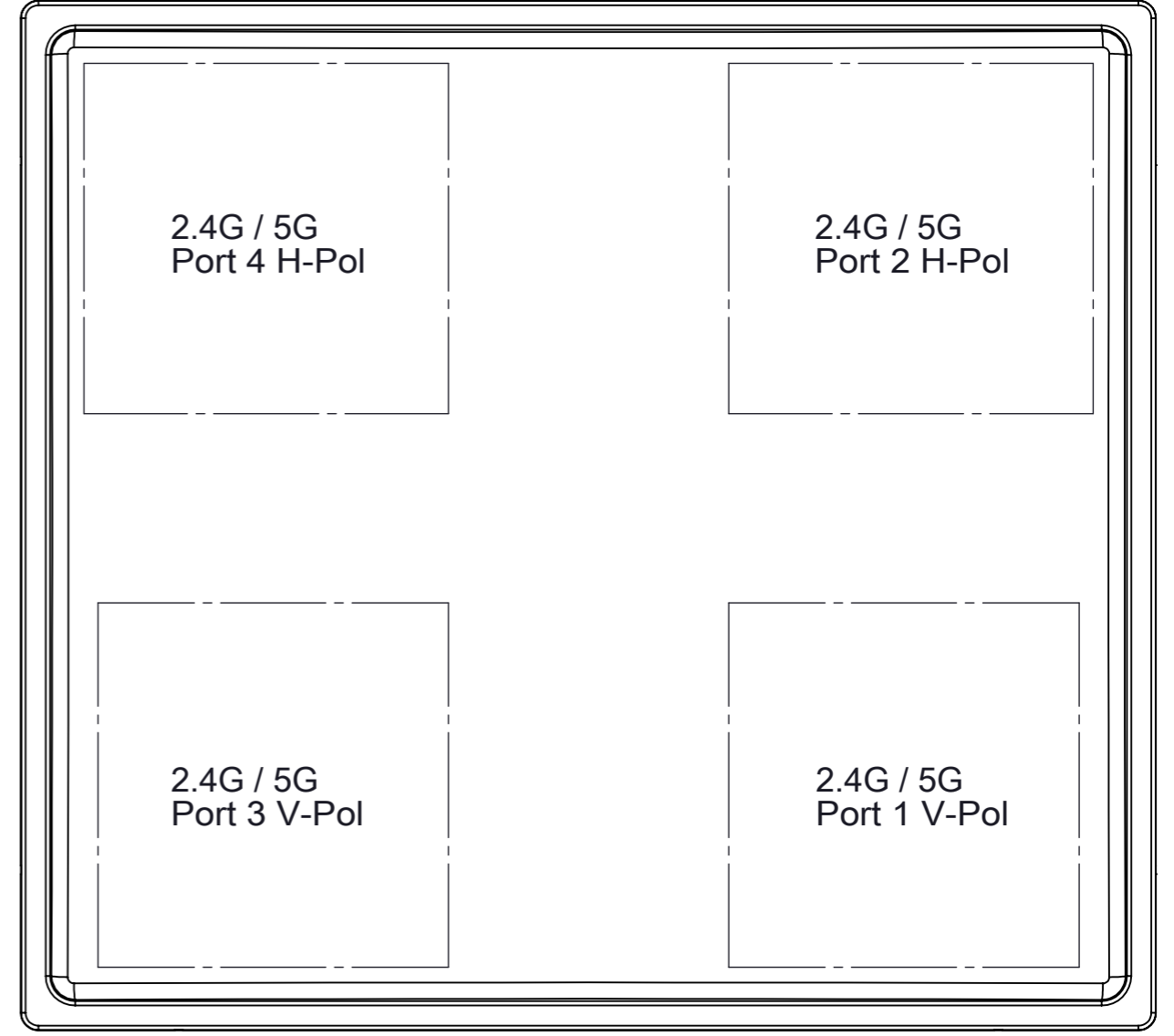
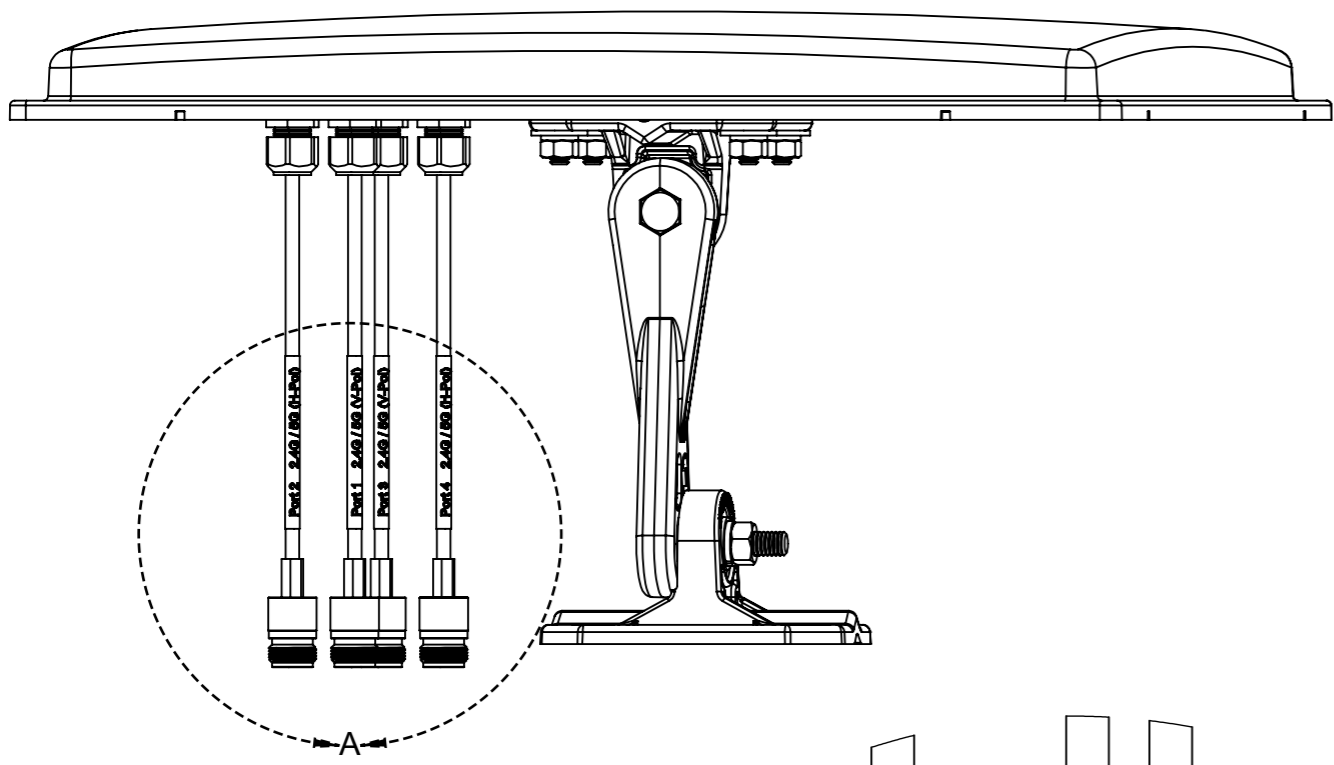
5

4

3

2

1



4X TYPE-N FEMALE



IAS, PENANG
MALAYSIA

SIZE A3	DWG. NO. PDQ244915-91NFMO	REV F02
SCALE: 1:2.5 PREVIOUS#		SHEET 2 OF 2

6

5

4

3

2

1