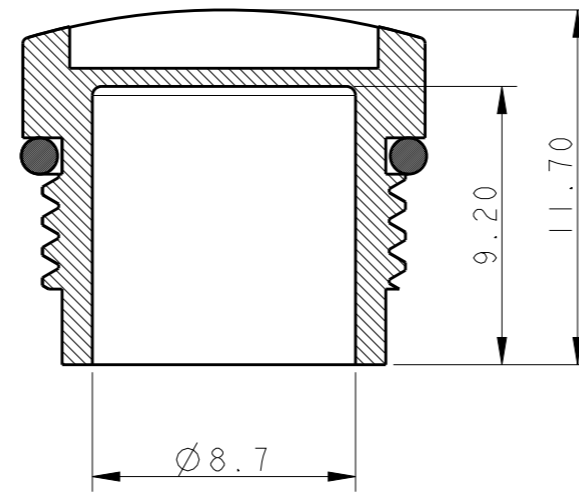
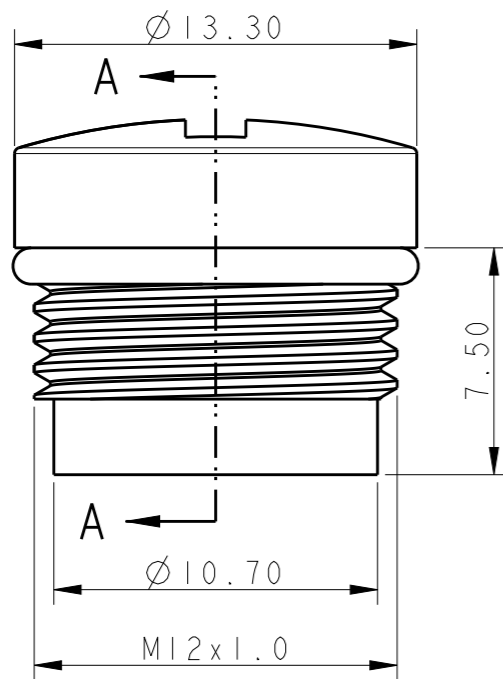
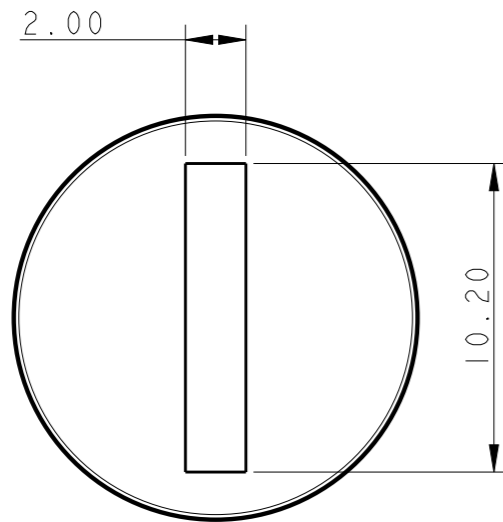
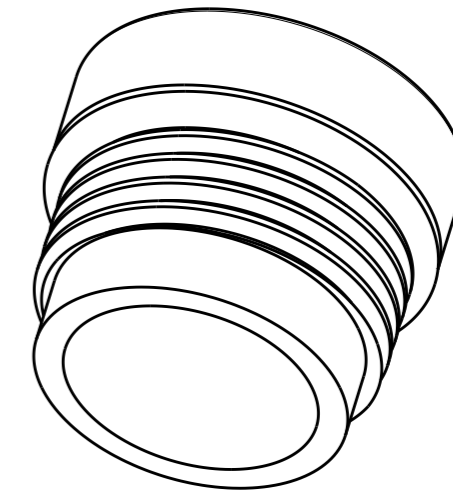


P	LTR	DESCRIPTION	DATE	DWN	APVD
	A	INITIAL RELEASE	12NOV2019	DL	CW



SECTION A-A



NOTES:

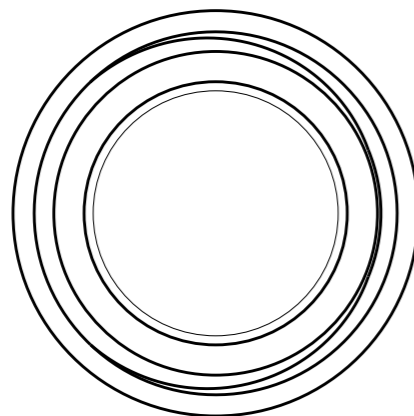
- MATERIAL
 - 1-1. HOUSING: PBT+30GF, COLOR: BLACK.
 - 1-2. O-RING: SILICON RUBBER, COLOR: BLACK.

- COMPLIANCE WITH ROHS AND REACH.

注释:

- 材料
 - 1-1. 主体材质: PBT+30GF, 颜色: 黑色.
 - 1-2. 密封材质: 硅胶, 颜色: 黑色.

- 符合ROHS和REACH要求.



P5407601200-000	M12 PLASTIC DUST CAP M12 塑胶防尘盖
TE P/N	DESCRIPTION

THIS DRAWING IS A CONTROLLED DOCUMENT.

DIMENSIONS:	TOLERANCES UNLESS OTHERWISE SPECIFIED:
mm	
	0 PLC ±0.5
	1 PLC ±0.2
	2 PLC ±0.10
	3 PLC ±-
	4 PLC ±-
	ANGLES ±-
MATERIAL	FINISH
-	-
-	-

DWN	12NOV2019
DAVID LI	
CHK	12NOV2019
CHRIS WANG	
APVD	12NOV2019
CHRIS WANG	
PRODUCT SPEC	-
APPLICATION SPEC	-
WEIGHT	-
CUSTOMER DRAWING	

		M12 PLASTIC DUST CAP	
		M12 塑胶防尘盖	
SIZE	CAGE CODE	DRAWING NO	RESTRICTED TO
A3	00779	©-P5407601200000	-
SCALE		SHEET	REV
4:1		1 OF 1	A