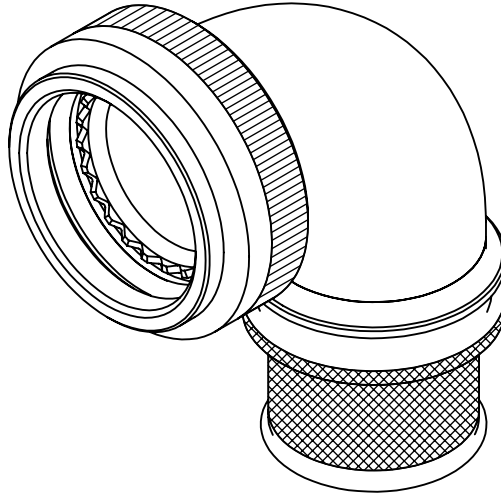


REVISIONS



90DEG, SWEPT ELBOW BANDING BACKSHELL, HELICAL CONDUIT THREAD

NOTES:

1. THIS PRODUCT IS DESIGNED TO TERMINATE A BRAIDED CABLE SHIELD BY MEANS OF A BAND STRAP AND A HEAT SHRINKABLE LIPPED BOOT TO A CONNECTOR.
2. SEE DRAWING BND-XXXXX FOR BAND STRAP OPTIONS, DIMENSIONS AND INFORMATION (SOLD SEPARATELY).
3. BACKSHELL TO BE PERMANENTLY MARKED/ BAGGED AND LABELLED WITH PART NUMBER AND BATCH NUMBER. (e.g. BTH3-15-10-1-B-SE-HC P123456)
4. AVAILABLE ENTRY SIZES ARE SHOWN IN TABLE 1. FOR ALTERNATIVE ENTRY SIZES, PLEASE CONTACT DESIGN AUTHORITY.
5. BACKSHELL MATES TO MIL-DTL-38999 SERIES III & IV

BTH3-15-10-1-B-SE-HC

SERIES _____
 CONNECTOR INTERFACE _____
 ANGLE (3-90°) _____
 SHELL SIZE (TABLE 1) _____
 ENTRY SIZE (TABLE 2) _____
 MATERIAL (ALUMINIUM ALLOY) _____
 FINISH (TABLE 3) _____
 SWEPT ELBOW STYLE _____
 HELICAL CONDUIT THREAD _____

RELEASED FOR PUBLICATION

ALL RIGHTS RESERVED.

THIS DRAWING IS UNPUBLISHED.

© COPYRIGHT 20 BY

DIMENSIONS: MILLIMETERS	DWN: N.HAWKINS	23/06/2020	MATERIAL: SEE TABLE 3	FINISH: SEE TABLE 3	
	CHK: R.STYLES	24/06/2020	TE Connectivity		
TOLERANCES UNLESS OTHERWISE SPECIFIED: GENERAL TOL LINEAR ±0.25MM ANGULAR ±1°	APVD: M.PAUL	24/06/2020	PART NUMBER: BTH(SE) SERIES		
	PRODUCT SPEC:	-	NAME: BANDING BACKSHELL, 90DEG, HC MOD		
	APPLICATION SPEC:	-	SIZE	CAGE CODE	DRAWING NO
	WEIGHT:	-	A4	U5792	C-P47154
	CUSTOMER DRAWING			SCALE 1.5:1	SHEET 1 OF 2
			RESTRICTED TO REV AA		

REVISIONS

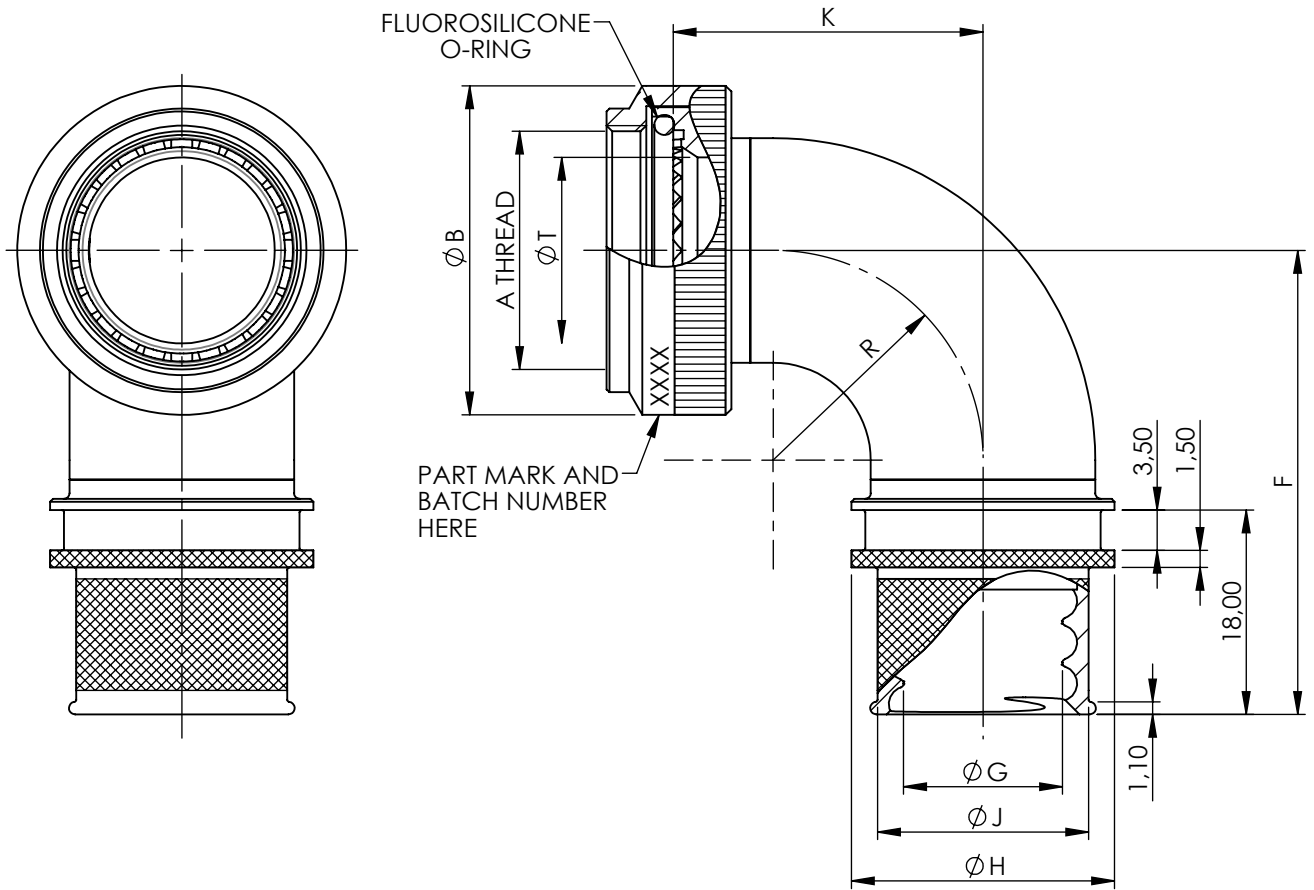


TABLE 1

SHELL SIZE	A THREAD	ØB MAX	K MAX	F MAX	R REF.	ØT MIN	ENTRY SIZES
09	M12 × 1.0	18,0	28,5	38,4	9,0	6,7	06
11	M15 × 1.0	21,0	31,7	42,1	12,2	10,2	06, 07, 08
13	M18 × 1.0	24,5	34,9	44,7	15,4	13,5	08, 10
15	M22 × 1.0	29,0	38,1	47,9	18,5	16,2	09, 10, 12
17	M25 × 1.0	32,5	41,2	51,1	21,7	19,4	10, 12, 14
19	M28 × 1.0	35,5	44,4	54,3	24,9	21,8	12, 14
21	M31 × 1.0	37,0	47,6	63,5	28,1	25,1	12, 18
23	M34 × 1.0	40,0	50,8	66,6	31,2	28,2	14, 20
25	M37 × 1.0	43,5	53,9	69,8	34,4	31,4	18, 20

TABLE 2

ENTRY SIZE	CONDUIT SIZE	ØG MIN	ØJ	ØH MAX
06	0281	6,75	12,50	17,16
07	0312	7,25	14,10	18,76
08	0375	8,75	15,70	20,34
09	0437	10,50	17,30	21,91
10	0500	12,00	18,80	23,52
12	0625	15,25	22,00	26,69
14	0750	18,75	25,20	29,87
18	0875	21,75	31,60	36,30
20	1000	24,25	34,80	39,50

TABLE 3


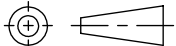
CODE	MATERIAL / PLATING
1-B	ALUMINIUM ALLOY / CADMIUM OLIVE DRAB OVER ELECTROLESS NICKEL
1-C	ALUMINIUM ALLOY / ELECTROLESS NICKEL
1-ZN	ALUMINIUM ALLOY / ZINC NICKEL BLACK PASSIVATE OVER ELECTROLESS NICKEL

RELEASED FOR PUBLICATION

ALL RIGHTS RESERVED.

THIS DRAWING IS UNPUBLISHED.

© COPYRIGHT 20 BY

DIMENSIONS: MILLIMETERS	DWN: N.HAWKINS	23/06/2020	MATERIAL: SEE TABLE 3		FINISH: SEE TABLE 3	
	CHK: R.STYLES	24/06/2020	 TE Connectivity			
TOLERANCES UNLESS OTHERWISE SPECIFIED:	APVD: M.PAUL	24/06/2020				
GENERAL TOL LINEAR ±0,25MM ANGULAR ±1°	PRODUCT SPEC:	-	NAME:			
	APPLICATION SPEC:	-	BANDING BACKSHELL, 90DEG, HC MOD			
	WEIGHT:	-	SIZE	CAGE CODE	DRAWING NO	RESTRICTED TO
	CUSTOMER DRAWING	-	A4	U5792	©-P47154	
			SCALE	SHEET	REV	
			1.5:1	2 OF 2	AA	