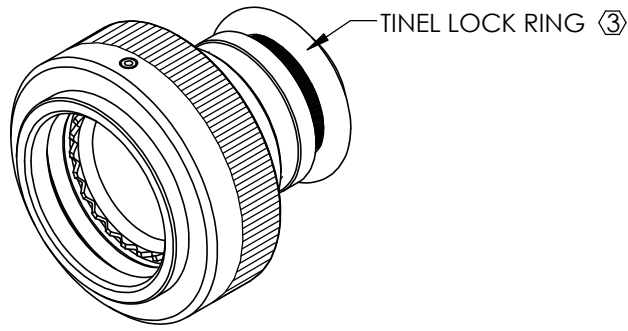


REVISIONS				
REV	DESCRIPTION	DATE	DWN	APVD
AA	ECR 7558	24/02/2020	N.H	R.S



# CODE 40 - TINEL-LOCK BACKSHELL

## TXR40AB00-0608AIS

SERIES \_\_\_\_\_  
 TXR - SUPPLIED WITH RING  
 (SEE RINGS OPTION)  
 TX - RING NOT INCLUDED  
 CONNECTOR INTERFACE \_\_\_\_\_  
 MATERIAL \_\_\_\_\_  
 REFER TO CH00-0250-008  
 FINISH \_\_\_\_\_  
 REFER TO CH00-0250-008  
 ANGLE \_\_\_\_\_  
 DASH NUMBER (TABLE 1) \_\_\_\_\_  
 ENTRY SIZE (TABLE 2) \_\_\_\_\_  
 RING OPTION \_\_\_\_\_  
 AI - TO SUIT SINGLE BRAID  
 BI - TO SUIT DOUBLE BRAID  
 FOR TX, LEAVE BLANK  
 MODIFICATION CODE \_\_\_\_\_  
 SELF-LOCKING MECHANISM

**NOTES:**

- THIS PRODUCT IS DESIGNED TO TERMINATE A BRAIDED CABLE SHIELD AND A HEAT SHRINKABLE LIPPED BOOT TO A CONNECTOR.
- FOR ADDITIONAL DIMENSIONS, ORDERING INFORMATION AND MODIFICATIONS, SEE CH00-0250-008.
- SEE DRAWING TR FOR DETAIL ON TINEL-LOCK RING, RINGS ARE DESIGNED TO BE HEATED ELECTRICALLY, ALL RINGS ARE MARKED WITH THERMOCHROMIC PAINT WHICH CHANGES COLOUR WHEN INSTALLATION TEMPERATURE IS REACHED.
- BACKSHELL TO BE PERMANENTLY MARKED/BAGGED AND LABELLED WITH CODE IDENTIFICATION NUMBER AND PART NUMBER LESS RING DESIGNATOR. (e.g. 06090-TXR40AB00-1206). RING SHALL BEAR NO MARKING.
- FOR LARGER ENTRY SIZES, A 2 PIECE BACKSHELL ASSEMBLY (TYPE 2) IS SUPPLIED.
- BACKSHELL MATES TO MIL-DTL-38999 SERIES III & IV - CLASS C, F, K AND W, D38999/20, /24, /26, /40, /46 AND /47 CONNECTORS AND WHEN MATED SHALL PROVIDE A WATER-TIGHT SEAL MEETING THE REQUIREMENTS OF MIL-C-85049, PARA. 3. 5. 7.

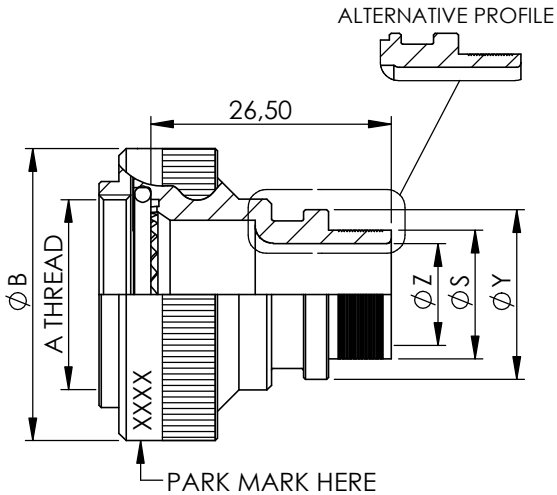
RELEASED FOR PUBLICATION  
 ALL RIGHTS RESERVED.  
 THIS DRAWING IS UNPUBLISHED.  
 COPYRIGHT 20 BY

DIMENSIONS: <b>MILLIMETERS</b>	DWN: N.HAWKINS	24/02/2020	MATERIAL: SEE P/N BREAKDOWN	FINISH: SEE P/N BREAKDOWN
	CHK: R.STYLES	27/02/2020	<b>TE Connectivity</b>	
TOLERANCES UNLESS OTHERWISE SPECIFIED:	APVD: M.PAUL	27/02/2020		
<b>GENERAL TOL</b> LINEAR $\pm 0.25\text{MM}$ ANGULAR $\pm 1^\circ$	PRODUCT SPEC:	NAME:		
	MIL-DTL-38999 SERIES III & IV	TINEL LOCK BACKSHELL - ANTI-DECOUPLING		
APPLICATION SPEC:	-	SIZE	CAGE CODE	DRAWING NO
WEIGHT:	-	A4	U5792	P47026
		CUSTOMER DRAWING		RESTRICTED TO
		SCALE	SHEET	REV
		1.5:1	1 OF 3	AA

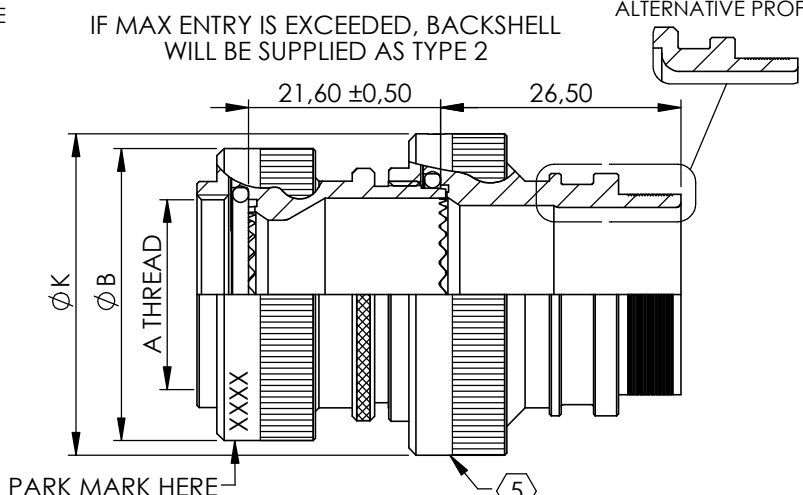
REVISIONS

ALTERNATIVE PROFILE

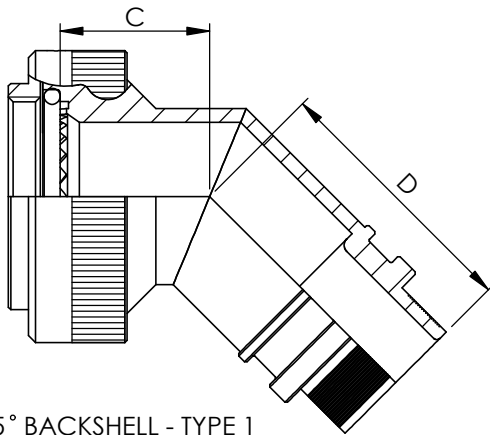
IF MAX ENTRY IS EXCEEDED, BACKSHELL WILL BE SUPPLIED AS TYPE 2



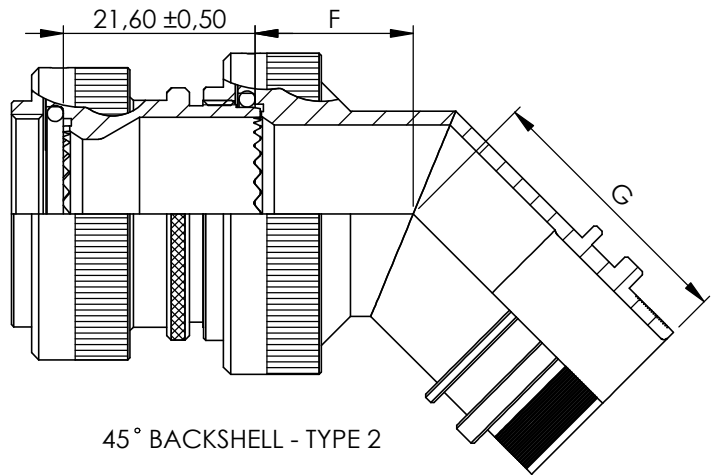
STRAIGHT BACKSHELL - TYPE 1



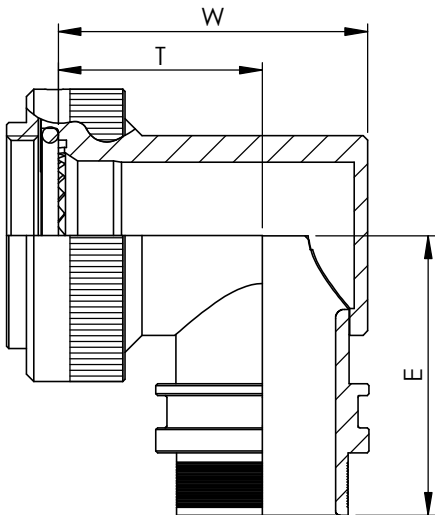
STRAIGHT BACKSHELL - TYPE 2



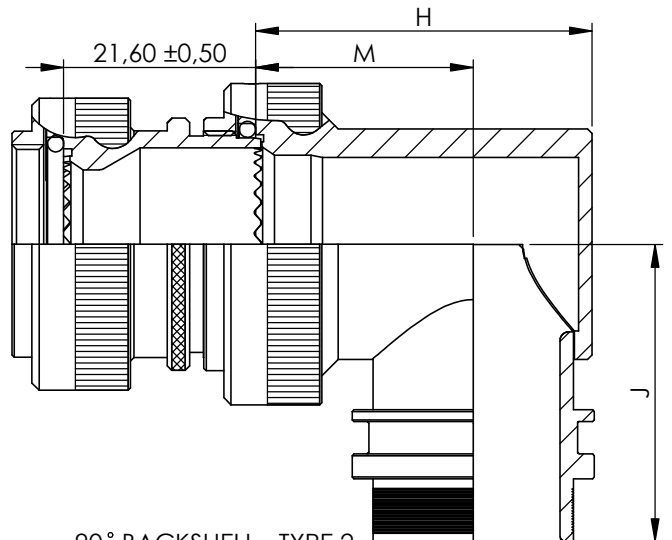
45° BACKSHELL - TYPE 1



45° BACKSHELL - TYPE 2



90° BACKSHELL - TYPE 1



90° BACKSHELL - TYPE 2

RELEASED FOR PUBLICATION

ALL RIGHTS RESERVED.

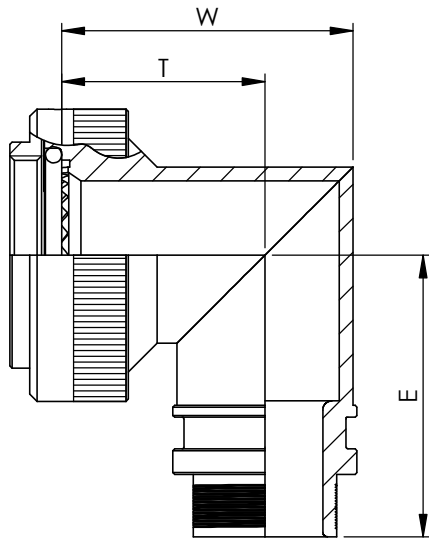
THIS DRAWING IS UNPUBLISHED.

BY COPYRIGHT 20

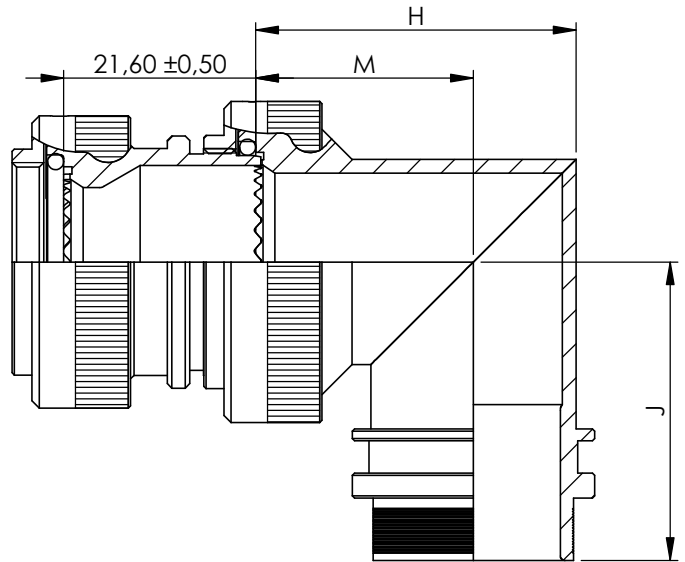


DIMENSIONS: MILLIMETERS	DWN: N.HAWKINS 24/02/2020	MATERIAL: SEE P/N BREAKDOWN	FINISH: SEE P/N BREAKDOWN
	CHK: R.STYLES 27/02/2020	TE Connectivity	
TOLERANCES UNLESS OTHERWISE SPECIFIED:	APVD: M.PAUL 27/02/2020		
GENERAL TOL LINEAR ±0.25MM ANGULAR ±1°	PRODUCT SPEC: MIL-DTL-38999 SERIES III & IV	NAME: TINEL LOCK BACKSHELL - ANTI-DECOUPLING	
	APPLICATION SPEC: -	SIZE: A4	RESTRICTED TO
	WEIGHT:	CAGE CODE: U5792	DRAWING NO: P47026
	Customer Drawing	SCALE: 1.2:1	SHEET: 2 OF 3
		REV: AA	

REVISIONS



90° BACKSHELL - TYPE 1  
STAINLESS STEEL AND  
NICKEL ALUMINIUM BRONZE



90° BACKSHELL - TYPE 2  
STAINLESS STEEL AND  
NICKEL ALUMINIUM BRONZE

TABLE 1

ORDER NO.	SHELL SIZE COM'L / MIL	A THREAD	ØB MAX	MAX ENTRY	C ±0,5	D ±0,5	W ±0,5	T ±0,5	E ±0,5	THESE DIMENSIONS APPLY IF BACKSHELL IS STAINLESS STEEL OR NICKEL ALUMINIUM BRONZE		
										W ±0,5	T ±0,5	E ±0,5
08	09 / A	M12 x 1,0	21,5	04	14,0	26,8	24,0	17,0	26,20	22,2	17,3	26,4
10	11 / B	M15 x 1,0	24,6	07	14,5	27,5	27,0	18,5	27,95	25,3	18,2	28,2
12	13 / C	M18 x 1,0	28,3	08	15,1	28,0	30,0	20,0	29,45	29,3	20,4	29,7
14	15 / D	M22 x 1,0	32,4	10	16,5	29,0	34,0	22,5	31,00	32,1	22,0	31,2
16	17 / E	M25 x 1,0	35,6	12	17,5	29,7	37,0	24,0	32,70	35,2	23,8	32,9
18	19 / F	M28 x 1,0	38,5	14	18,5	30,5	39,0	24,0	34,25	39,5	26,3	34,5
20	21 / G	M31 x 1,0	41,7	16	19,1	30,9	42,0	26,0	35,80	41,7	27,1	36,1
22	23 / H	M34 x 1,0	43,9	18	19,5	31,1	45,0	27,0	37,40	44,7	28,6	37,6
24	25 / J	M37 x 1,0	47,0	20	20,0	32,1	48,0	28,5	38,90	47,4	30,1	39,1

TABLE 2


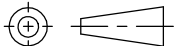
ENTRY SIZE	ØZ MIN	ØS	ØY Ø0,3	ØK MAX	F ±0,5	G ±0,5	H ±0,5	M ±0,5	J ±0,5	THESE DIMENSIONS APPLY IF BACKSHELL IS STAINLESS STEEL OR NICKEL ALUMINIUM BRONZE		
										H ±0,5	M ±0,5	J ±0,5
04	6,35	9,49 +/-0,04	14,0	NA	NA	NA	NA	NA	NA	NA	NA	NA
05	7,92	11,06 +/-0,04	15,5	24,6	14,5	27,5	27,0	18,5	27,95	25,3	18,2	28,2
06	9,53	12,66 +/-0,04	17,1	24,6	14,5	27,5	27,0	18,5	27,95	25,3	18,2	28,2
07	11,10	14,21 +/-0,07	18,7	24,6	14,5	27,5	27,0	18,5	27,95	25,3	18,2	28,2
08	12,70	15,81 +/-0,07	20,3	28,3	15,1	28,0	30,0	20,0	29,45	29,3	20,4	29,7
10	15,88	18,96 +/-0,08	23,5	32,4	16,5	29,0	34,0	22,5	31,00	32,1	22,0	31,2
12	19,05	22,14 +/-0,08	26,7	35,6	17,5	29,7	37,0	24,0	32,70	35,2	23,8	32,9
14	22,23	25,30 +/-0,08	29,8	38,5	18,5	30,5	39,0	24,0	34,25	39,5	26,3	34,5
16	25,40	28,48 +/-0,08	33,0	41,7	19,1	30,9	42,0	26,0	35,80	41,7	27,1	36,1
18	28,58	31,65 +/-0,08	36,2	43,9	19,5	31,1	45,0	27,0	37,40	44,7	28,6	37,6
20	31,75	34,83 +/-0,08	39,4	47,0	20,0	32,1	48,0	28,5	38,90	47,4	30,1	39,1
22	34,93	37,98 +/-0,08	42,5	50,0	21,5	35,3	57,5	34,0	42,00	51,0	32,0	42,0
24	38,10	41,15 +/-0,08	45,7	56,0	24,9	38,1	61,0	36,0	46,00	54,5	34,0	46,0

RELEASED FOR PUBLICATION

ALL RIGHTS RESERVED.

THIS DRAWING IS UNPUBLISHED.

© COPYRIGHT 20 BY

DIMENSIONS: <b>MILLIMETERS</b>	DWN: N.HAWKINS 24/02/2020	MATERIAL: SEE P/N BREAKDOWN	FINISH: SEE P/N BREAKDOWN
	CHK: R.STYLES 27/02/2020	 <b>TE Connectivity</b>	
TOLERANCES UNLESS OTHERWISE SPECIFIED:	APVD: M.PAUL 27/02/2020		
<b>GENERAL TOL</b> LINEAR ±0,25MM ANGULAR ±1°	PRODUCT SPEC:	NAME:	
	MIL-DTL-38999 SERIES III & IV	TINEL LOCK BACKSHELL - ANTI-DECOUPLING	
APPLICATION SPEC:	-	SIZE	CAGE CODE
WEIGHT:	-	A4	U5792
	CUSTOMER DRAWING	DRAWING NO	RESTRICTED TO
		©=P47026	
		SCALE	SHEET
		1:2:1	3 OF 3
			REV AA