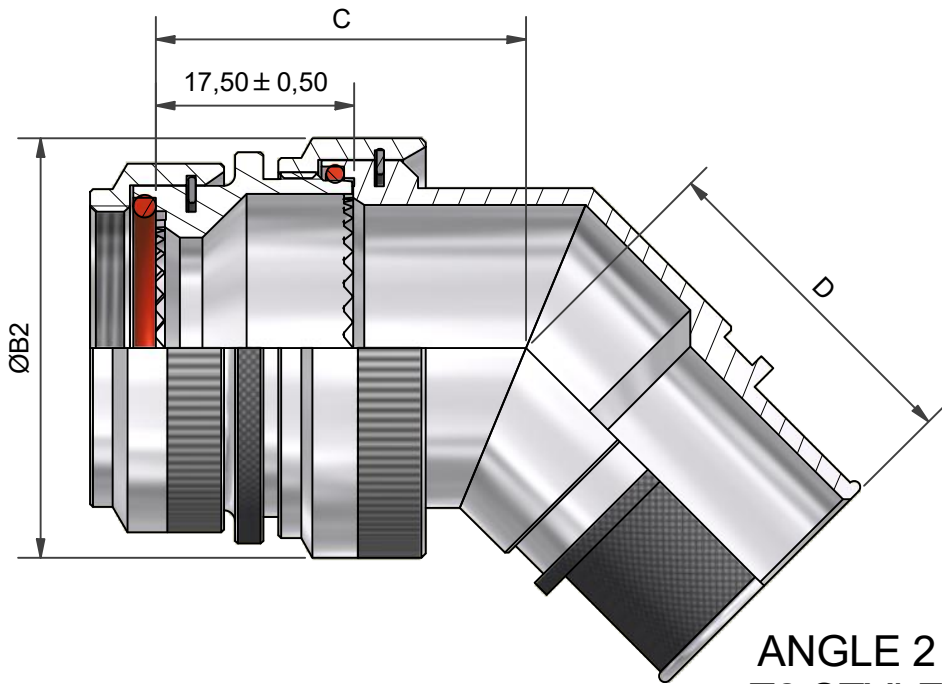
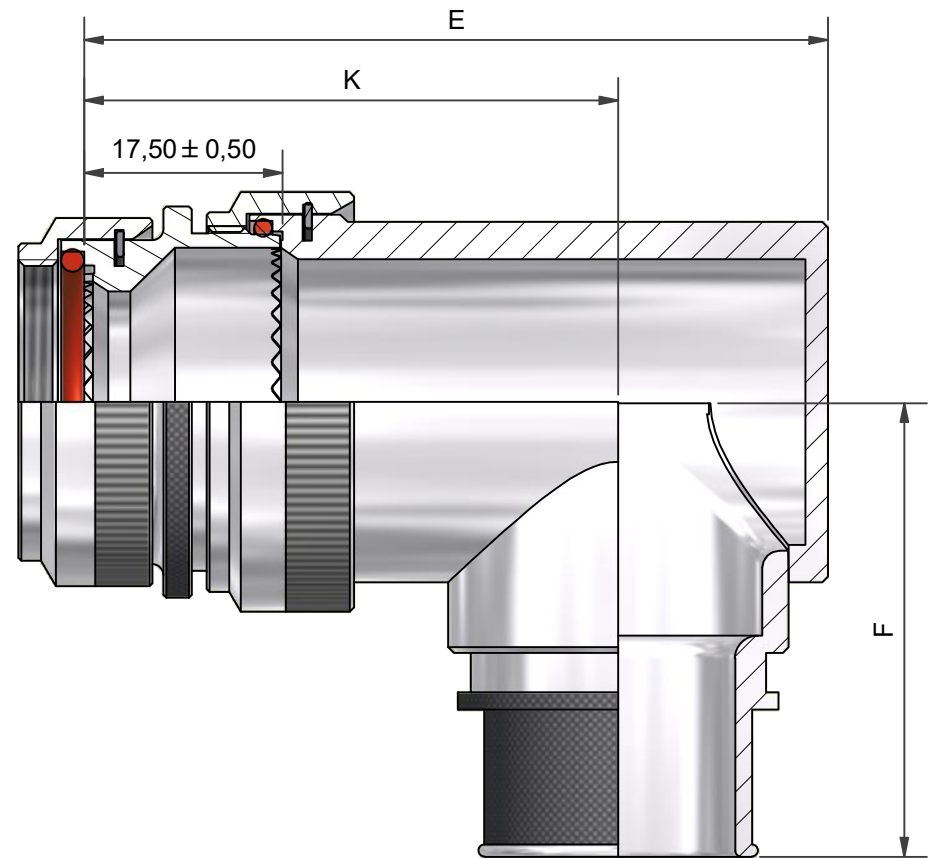


ANGLE 1
T3 STYLE



ANGLE 2
T2 STYLE



ANGLE 3
T2 STYLE

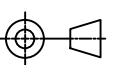


DRAWN	K.WINCZURA		DATE	30/01/2014		 3RD ANGLE PROJECTION NOT TO SCALE	PART NUMBER:		BTH (T2/T3) SERIES		 Polamco 
SALES APPR			DATE	30/01/2014			TITLE:		BANDING BACKSHELL		
DESIGN APPR	K.SHEPPARD		DATE	30/01/2014		ASSY USED ON:		MIL-DTL-38999 SERIES III & IV			
PROD APPR					UNLESS OTHERWISE SPECIFIED ALL DIMENSIONS IN MILLIMETRES GENERAL TOL LINEAR +/-0,25MM ANGULAR +/- 1°		THIS DRAWING IS COPYRIGHT AND THE PROPERTY OF POLAMCO LTD IT MUST NOT BE COPIED, USED FOR MANUFACTURE OR OTHERWISE DISCLOSED WITHOUT PRIOR WRITTEN CONSENT OF THE COMPANY.		POLAMCO LTD, WESTON LOCK, LOWER BRISTOL ROAD BATH BA2 1EP		
QUAL APPR					MATERIAL SEE PART NUMBER BREAKDOWN		SHT		1		
ISSUE	REV.	DCR				FINISH SEE PART NUMBER BREAKDOWN		DRAWING NO:		P29598	
1		---				NCAGE CODE U5792		WEIGHT		---	

TABLE 1

SHELL SIZE	A THREAD	B MAX	T MIN	MIN ENTRY FOR STYLE 2 OPTION
09	M12 x 1.0	18,0	6,7	05
11	M15 x 1.0	21,0	10,2	07
13	M18 x 1.0	24,5	13,5	09
15	M22 x 1.0	29,0	16,2	11
17	M25 x 1.0	32,5	19,4	13
19	M28 x 1.0	35,5	21,8	14
21	M31 x 1.0	37,0	25,1	16
23	M34 x 1.0	40,0	28,2	18
25	M37 x 1.0	43,5	31,4	20

TABLE 2

ENTRY SIZE	ØG MIN	ØH MAX	ØB2 MAX	ØB3 MAX	C MAX	D MAX	E MAX	F MAX	K +/- 0,5
05	7,9	15,5	21,0	21,0	30,9	26,9	43,7	32,2	34,5
06	9,5	17,2	21,0	21,0	30,9	26,9	43,7	32,2	34,5
07	11,1	18,7	24,5	22,0	31,5	27,3	48,2	33,7	37,0
08	12,7	20,3	24,5	22,0	31,5	27,3	48,2	33,7	37,0
09	14,2	21,9	29,0	27,5	32,5	28,2	54,2	35,2	41,5
10	15,8	23,5	29,0	27,0	32,5	28,2	54,2	35,2	41,5
11	17,4	25,1	32,5	30,5	33,1	29,0	57,2	36,9	43,7
12	19,0	26,7	32,5	30,0	33,1	29,0	57,2	36,9	43,7
13	20,6	28,3	35,5	34,0	33,8	29,3	61,7	38,5	44,0
14	22,2	29,9	37,0	35,0	34,1	30,1	66,2	40,1	47,5
15	23,8	31,5	37,0	36,0	34,1	30,1	66,2	40,1	47,5
16	25,4	33,1	40,0	38,0	34,6	30,5	68,7	41,6	48,5
17	27,0	34,7	40,0	39,0	34,6	30,5	68,7	41,6	48,5
18	28,6	36,3	43,5	41,0	35,4	31,4	70,2	43,1	45,5
19	30,2	37,9	43,5	42,0	35,4	31,4	70,2	43,1	45,5
20	31,8	39,5	48,5	44,0	36,2	31,8	73,3	44,6	47,0
21	33,3	41,1	48,5	44,0	36,5	31,8	69,5	44,6	48,0
22	35,0	42,7	52,0	47,0	36,8	32,7	76,3	45,5	48,5
24	38,1	45,9	55,0	50,0	37,4	33,1	79,3	46,4	50,0

TABLE 3

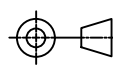


CODE	MATERIAL / PLATING
1-C	ALUMINIUM / ELECTROLESS NICKEL
1-B	ALUMINIUM / CADMIUM OLIVE DRAB OVER ELECTROLESS NICKEL
1-ZB	ALUMINIUM / ZINC COBALT OLIVE DRAB OVER ELECTROLESS NICKEL
1-ZN	ALUMINIUM / ZINC NICKEL BLACK PASSIVATE OVER ELECTROLESS NICKEL

LIST NOT EXHAUSTIVE, SEE PLATING TABLE FOR OTHER OPTIONS

BTH1-17T313-1-C

SERIES _____
 CONNECTOR INTERFACE _____
 ANGLE _____
 SHELL SIZE (TABLE 1) _____
 STYLE 2 OPTION: _____
 T2 - SPIN COUPLING REAR ADAPTOR (45° & 90°)
 T3 - SOLID REAR ADAPTOR (STRAIGHT ONLY)
 ENTRY SIZE (TABLE 2) _____
 MATERIAL _____
 ALUMINIUM ALLOY
 FINISH (TABLE 3) _____

REFER TO P10744 FOR STANDARD BACKSHELL

DRAWN	K.WINCZURA	DATE	30/01/2014	 3RD ANGLE PROJECTION NOT TO SCALE	PART NUMBER:	BTH (T2/T3) SERIES		 Polamco 
SALES APPR		DATE	30/01/2014		TITLE:	BANDING BACKSHELL		
DESIGN APPR	K.SHEPPARD	DATE	30/01/2014	UNLESS OTHERWISE SPECIFIED ALL DIMENSIONS IN MILLIMETRES GENERAL TOL LINEAR +/-0,25MM ANGULAR +/- 1°	ASSY USED ON: MIL-DTL-38999 SERIES III & IV			
PROD APPR				MATERIAL SEE PART NUMBER BREAKDOWN	THIS DRAWING IS COPYRIGHT AND THE PROPERTY OF POLAMCO LTD IT MUST NOT BE COPIED, USED FOR MANUFACTURE OR OTHERWISE DISCLOSED WITHOUT PRIOR WRITTEN CONSENT OF THE COMPANY.			
QUAL APPR				FINISH SEE PART NUMBER BREAKDOWN	POLAMCO LTD, WESTON LOCK, LOWER BRISTOL ROAD BATH BA2 1EP	SHT	2	
ISSUE	REV.	DCR						DRAWING NO:
1		---						P29598
NCAGE CODE U5792		WEIGHT	---					