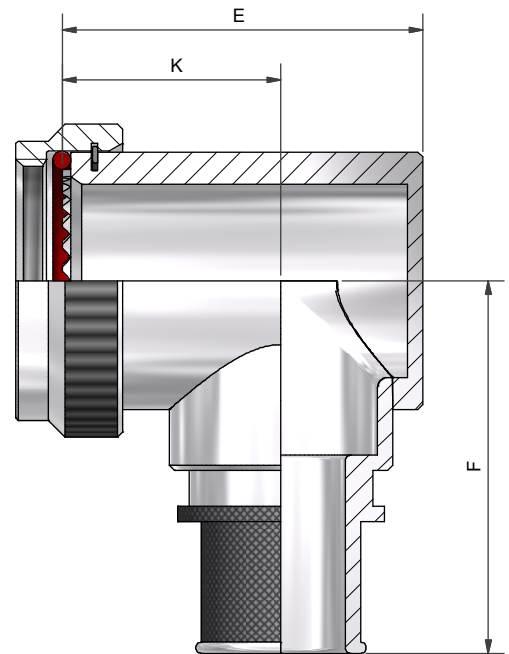
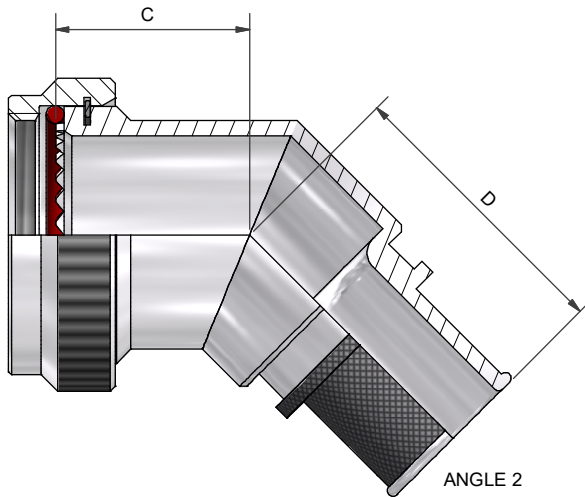
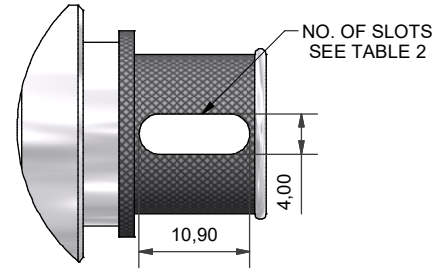


SLOT OPTION - SL
(PIGTAIL TERMINATION)



ANGLE 3

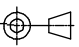


DRAWN		DATE		 3RD ANGLE PROJECTION NOT TO SCALE	PART NUMBER:		BTF SERIES		 Polamco 
K.K-W		27/03/2018			TITLE:		BANDING BACKSHELL		
DESIGN APPROVAL		DATE		UNLESS OTHERWISE SPECIFIED ALL DIMENSIONS IN MILLIMETRES GENERAL TOL LINEAR +/-0,25MM ANGULAR +/- 1°	ASSY USED ON: MIL-DTL-38999 SERIES II		DRAWING NO:		
DIW		27/03/2018			THIS DRAWING IS COPYRIGHT AND THE PROPERTY OF POLAMCO LTD IT MUST NOT BE COPIED, USED FOR MANUFACTURE OR OTHERWISE DISCLOSED WITHOUT PRIOR WRITTEN CONSENT OF THE COMPANY.		POLAMCO LTD, WESTON LOCK, LOWER BRISTOL ROAD BATH BA2 1EP		
DOC TYPE	Customer Drawing			MATERIAL	SEE PART NUMBER BREAKDOWN			WEIGHT	
ISSUE	REV.	DCR		FINISH	SEE PART NUMBER BREAKDOWN			NCAGE CODE U5792	
5		6744							

TABLE 1

SHELL SIZE	A THREAD	ØB MAX	ØT MIN	C ±0,5	D MAX	E MAX	F MAX	K ±0,5
08	7/16-28 UNEF	18,3	6,6	16,4	25,7	22,7	30,5	15,0
10	9/16-24 UNEF	21,5	10,1	17,2	26,9	26,2	32,2	17,0
12	11/16-24 UNEF	24,5	12,9	17,6	27,3	29,2	33,7	18,0
14	13/16-20 UNEF	27,8	16,1	18,5	28,2	32,2	35,2	20,0
16	15/16-20 UNEF	30,8	19,3	19,2	29,0	35,7	36,9	21,5
18	1 1/16-18 UNEF	34,1	21,7	19,6	29,3	39,7	38,5	23,0
20	1 3/16-18 UNEF	37,3	24,9	20,4	30,1	42,2	41,1	25,0
22	1 5/16-18 UNEF	40,5	28,1	20,8	30,5	45,2	41,6	26,0
24	1 7/16-18 UNEF	43,7	31,3	21,7	31,4	48,2	43,1	28,0

TABLE 2

ENTRY SIZE	ØG MIN	ØH MAX	NO. OF SLOTS *
03	4,7	13,9	1
04	6,3	13,9	1
05	7,9	15,5	1
06	9,5	17,2	2
07	11,1	18,7	2
08	12,7	20,3	2
09	14,2	21,9	2
10	15,8	23,5	2
11	17,4	25,1	2
12	19,0	26,7	2
13	20,6	28,3	2
14	22,2	29,9	4
15	23,8	31,5	4
16	25,4	33,1	4
17	27,0	34,7	4
18	28,6	36,3	4
19	30,2	37,9	4
20	31,8	39,5	4
21	33,3	41,1	4
22	35,0	42,7	4
23	36,5	44,3	4
24	38,1	45,9	4

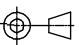


TABLE 3

CODE	FINISH
C	ELECTROLESS NICKEL
B	CADMIUM OLIVE DRAB OVER ELECTROLESS NICKEL
ZB	ZINC COBALT OLIVE DRAB OVER ELECTROLESS NICKEL
ZN	ZINC NICKEL BLACK PASSIVATE OVER ELECTROLESS NICKEL

SEE SS0076 FOR FULL RANGE OF FINISH OPTIONS

BTF1-16-08-1-C

SERIES _____
CONNECTOR INTERFACE _____
ANGLE _____
SHELL SIZE (TABLE 1) _____
ENTRY SIZE (TABLE 2) _____
MATERIAL _____
ALUMINIUM ALLOY
FINISH (TABLE 3) _____
*INSERT SL FOR SLOT OPTION _____
OMIT FOR STANDARD

DRAWN		DATE			3RD ANGLE PROJECTION NOT TO SCALE	PART NUMBER:		BTF SERIES		
K.K-W		27/03/2018				TITLE:		BANDING BACKSHELL		
DESIGN APPROVAL		DATE		UNLESS OTHERWISE SPECIFIED ALL DIMENSIONS IN MILLIMETRES GENERAL TOL LINEAR +/-0,25MM ANGULAR +/- 1°	ASSY USED ON: MIL-DTL-38999 SERIES II		POLAMCO LTD, WESTON LOCK, LOWER BRISTOL ROAD BATH BA2 1EP			
DIW		27/03/2018			THIS DRAWING IS COPYRIGHT AND THE PROPERTY OF POLAMCO LTD IT MUST NOT BE COPIED, USED FOR MANUFACTURE OR OTHERWISE DISCLOSED WITHOUT PRIOR WRITTEN CONSENT OF THE COMPANY.		SHT 2			
DOC TYPE	Customer Drawing			MATERIAL		WEIGHT				
ISSUE	REV.	DCR 6744		SEE PART NUMBER BREAKDOWN						
NCAGE CODE U5792				FINISH						
				SEE PART NUMBER BREAKDOWN						