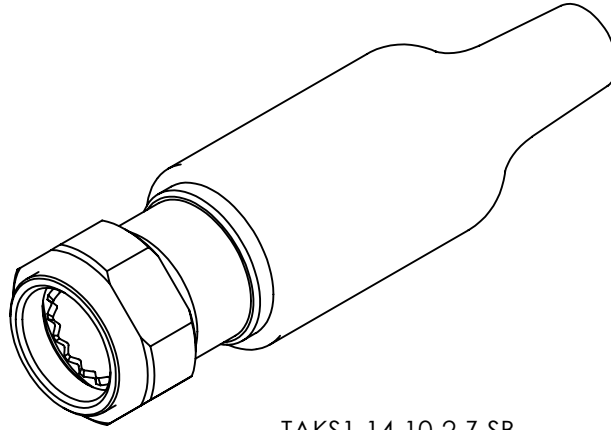


REVISIONS				
REV	DESCRIPTION	DATE	DWN	APVD
AA	NEW TEMPLATE	02/03/2021	NH	RS
AB	ECR-24-206878 (CRN 26424)	24/04/2024	NH	RS



TAKS1-14-10-2-Z-SB

- SERIES _____
- CONNECTOR INTERFACE _____
- ANGLE _____
 - 1 - STRAIGHT
 - 2 - 45 DEG
 - 3 - 90 DEG
- SHELL SIZE (SEE TABLE 1) _____
- ENTRY SIZE (SEE TABLE 2) _____
- MATERIAL (SEE TABLE 3) _____
- FINISH (SEE TABLE 3) _____
- BOOT OPTION _____
 - UB - ZERO HALOGEN BOOT - UNSCREENED (AVAILABLE ON ANGLES 1,2 & 3)
 - SB - ZERO HALOGEN BOOT (AVAILABLE ON ANGLES 1,2 & 3)
 - 25AH - STRAIGHT DIESEL RESISTANT BOOT - UNSCREENED (ONLY AVAILABLE ON ANGLE 1)
 - 25CH - STRAIGHT DIESEL RESISTANT BOOT (ONLY AVAILABLE ON ANGLE 1)
 - 100DH - 45DEG ZERO HALOGEN BOOT (ONLY AVAILABLE ON ANGLE 1)
 - 25DH - 45DEG DIESEL RESISTANT BOOT (ONLY AVAILABLE ON ANGLE 1)
 - 100BH - 90DEG ZERO HALOGEN BOOT - UNSCREENED (ONLY AVAILABLE ON ANGLE 1)
 - 100EH - 90DEG ZERO HALOGEN BOOT (ONLY AVAILABLE ON ANGLE 1)
 - 25BH - 90DEG DIESEL RESISTANT BOOT - UNSCREENED (ONLY AVAILABLE ON ANGLE 1)
 - 25EH - 90DEG DIESEL RESISTANT BOOT (ONLY AVAILABLE ON ANGLE 1)


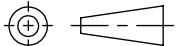
1. THIS PRODUCT IS DESIGNED TO TERMINATE A SCREENED OR UNSCREENED CABLE TO A CONNECTOR.
2. BACKSHELL TO BE PERMANENTLY MARKED/BAGGED AND LABELLED WITH CODE IDENTIFICATION NUMBER AND PART NUMBER. (e.g. U5792-TAKS1-14-10-2-Z).
3. BRAID TERMINATION MAY USE A TINEL-LOCK SHAPE MEMORY RING AT MANUFACTURERS DISCRETION.
4. BACKSHELL MATES TO: BS9522-F0020 PATT 608 CONNECTORS.
5. ALL BOOTS ARE SUPPLIED ADHESIVE LINED. PLEASE REFER TO INSTALLATION GUIDE ASQAW0201.
6. ASSEMBLY KIT TO INCLUDE A CLEANING TISSUE, A 100 GRIT EMERY CLOTH & DR25 HEATSHRINK TUBING PACKING PIECES, BAGGED SEPARATELY.

RELEASED FOR PUBLICATION

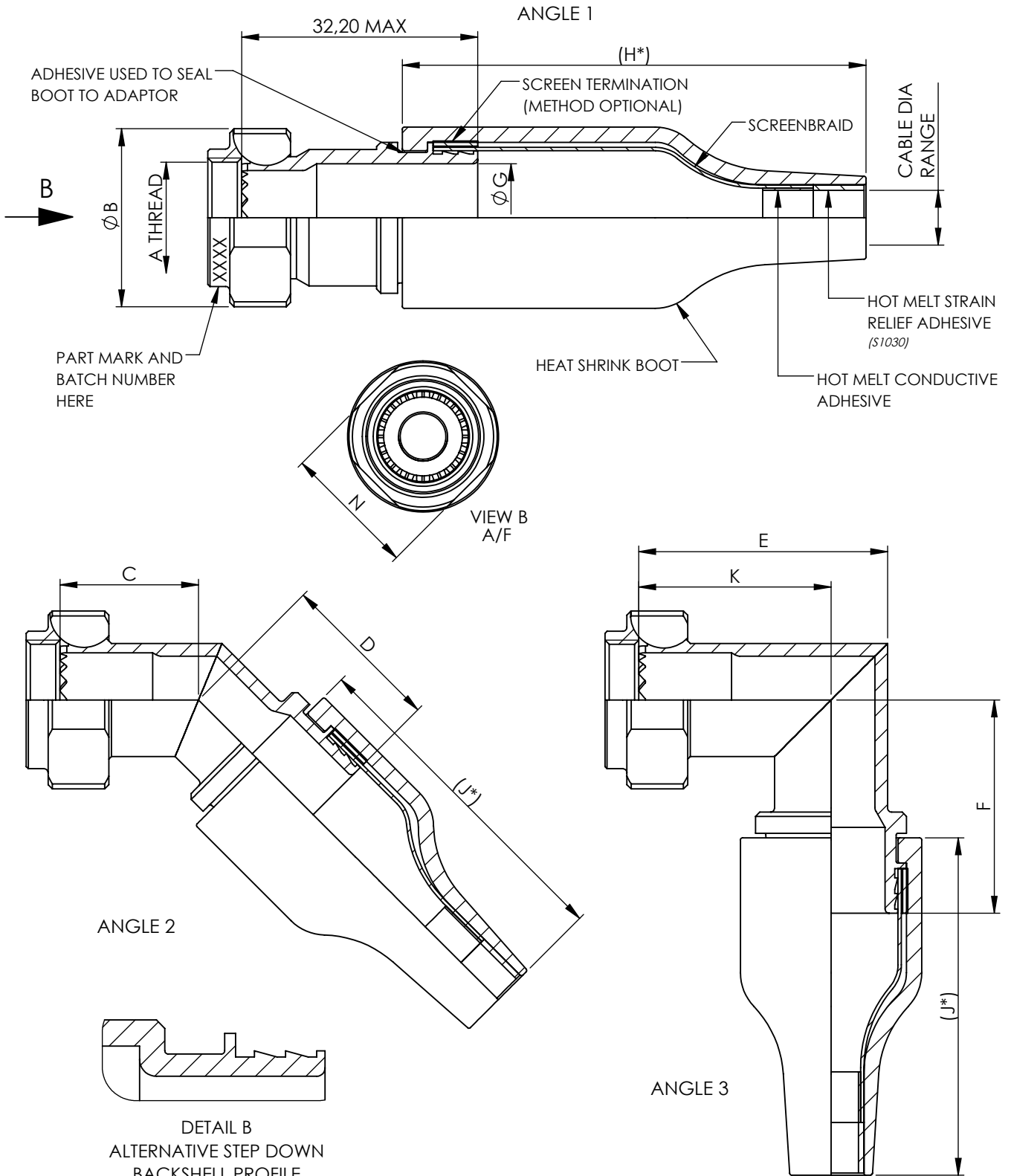
ALL RIGHTS RESERVED.

THIS DRAWING IS UNPUBLISHED.

COPYRIGHT 20 BY

DIMENSIONS: MILLIMETERS	DWN: N.HAWKINS	01/03/2021	MATERIAL: SEE P/N BREAKDOWN	FINISH: SEE P/N BREAKDOWN
	CHK: R.STYLES	02/03/2021	 TE Connectivity	
TOLERANCES UNLESS OTHERWISE SPECIFIED:	APVD: M.PAUL	01/03/2021		
GENERAL TOL LINEAR ±0,25MM ANGULAR ±1°	PRODUCT SPEC:	NAME:		
	APPLICATION SPEC:	HEAT SHRINK BACKSHELL KIT		
	WEIGHT:	SIZE	CAGE CODE	DRAWING NO
		A4	U5792	Ⓒ=P10505
CUSTOMER DRAWING			RESTRICTED TO	
		SCALE	SHEET	REV
		1:1	1 OF 4	AB

REVISIONS






RELEASED FOR PUBLICATION

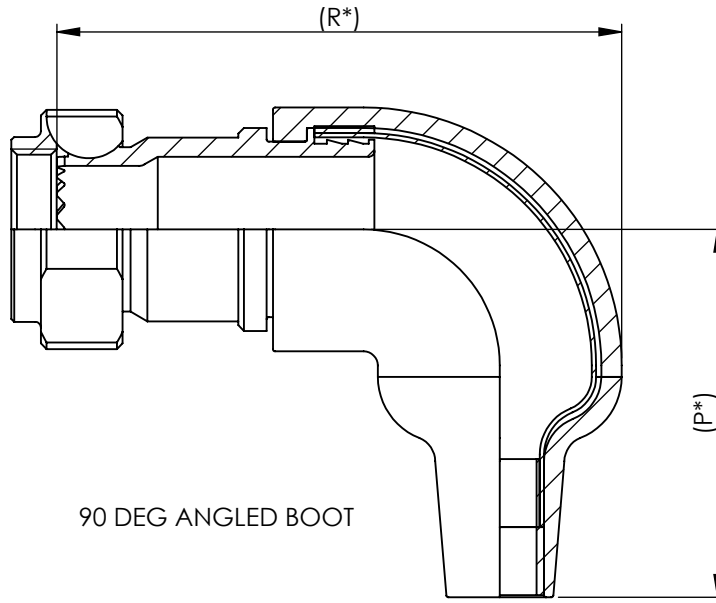
ALL RIGHTS RESERVED.

THIS DRAWING IS UNPUBLISHED.

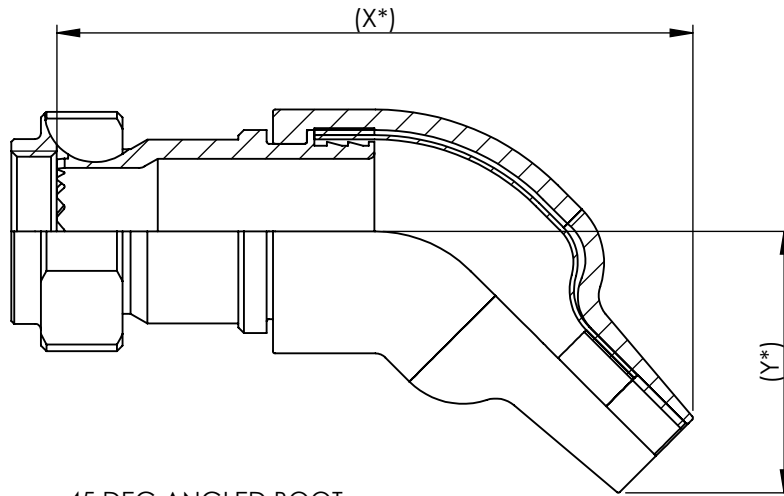
© COPYRIGHT 20 BY

DIMENSIONS: MILLIMETERS	DWN: N.HAWKINS	01/03/2021	MATERIAL: SEE P/N BREAKDOWN	FINISH: SEE P/N BREAKDOWN				
	CHK: R.STYLES	02/03/2021	 TE Connectivity					
TOLERANCES UNLESS OTHERWISE SPECIFIED:	APVD: M.PAUL	01/03/2021			PART NUMBER:	TAKS SERIES		
GENERAL TOL LINEAR $\pm 0,25$ MM ANGULAR $\pm 1^\circ$	PRODUCT SPEC:	-	NAME:					
	APPLICATION SPEC:	-	HEAT SHRINK BACKSHELL KIT					
 	WEIGHT:	-	SIZE	CAGE CODE	DRAWING NO	RESTRICTED TO		
	CUSTOMER DRAWING	-	A4	U5792	©-P10505			
			SCALE	1.5:1	SHEET	2 OF 4	REV	AB

REVISIONS



90 DEG ANGLED BOOT



45 DEG ANGLED BOOT




***NOTE:**
 'DIMENSIONS ONLY APPLY AFTER UNRESTRICTED RECOVERY - THE PART IS SUPPLIED WITH THE BOOT IN AN UN-RECOVERED STATE'

RELEASED FOR PUBLICATION

ALL RIGHTS RESERVED.

THIS DRAWING IS UNPUBLISHED.

© COPYRIGHT 20 BY

DIMENSIONS: MILLIMETERS	DWN: N.HAWKINS	01/03/2021	MATERIAL: SEE P/N BREAKDOWN	FINISH: SEE P/N BREAKDOWN				
	CHK: R.STYLES	02/03/2021	 TE Connectivity					
TOLERANCES UNLESS OTHERWISE SPECIFIED:	APVD: M.PAUL	01/03/2021			PART NUMBER:	TAKS SERIES		
GENERAL TOL LINEAR $\pm 0,25\text{MM}$ ANGULAR $\pm 1^\circ$	PRODUCT SPEC:	-	NAME:					
	APPLICATION SPEC:	-	HEAT SHRINK BACKSHELL KIT					
 	WEIGHT:	-	SIZE	CAGE CODE	DRAWING NO	RESTRICTED TO		
	CUSTOMER DRAWING	-	A4	U5792	©-P10505			
			SCALE	1.5:1	SHEET	3 OF 4	REV	AB

REVISIONS

TABLE 1

ORDER NUMBER	A THREAD	B MAX	N A/F	C ±0,50	D ±0,50	E ±0,50	F MAX	K ±0,50
08	7/16 - 28UNEF	19,3	17,1	15,6	24,3	26,1	30,1	21,1
10	9/16 - 24UNEF	21,3	19,0	16,4	25,0	30,0	31,5	22,8
12	11/16 - 24UNEF	24,3	22,1	16,8	25,6	33,3	32,8	24,3
14	13/16 - 20UNEF	29,2	27,0	17,7	26,2	36,0	34,5	25,8
16	15/16 - 20UNEF	30,8	28,6	18,0	27,0	39,0	36,3	27,5
18	1 1/16 - 18UNEF	33,8	31,7	18,8	28,0	42,4	37,7	29,1
20	1 3/16 - 18UNEF	38,5	36,5	19,6	28,3	45,4	38,9	30,7
22	1 5/16 - 18UNEF	38,5	36,5	20,1	28,7	48,6	40,0	32,4
24	1 7/16 - 18UNEF	42,5	40,4	20,9	29,5	51,1	41,9	33,7

TABLE 2

ENTRY SIZE	ØG MIN	H MAX	J MAX	R MAX	P MAX	X MAX	Y MAX	CABLE DIA RANGE
05	7,9	60	40	55	35	70	35	4,5 - 9,0
08	12,7	60	40	60	40	80	40	6,0 - 12,0
10	15,8	72	48	65	50	90	45	7,5 - 15,0
12	19,0	72	48	70	55	100	55	9,0 - 18,0
16	25,4	95	55	75	65	110	65	10,0 - 25,0
20	31,8	125	70	75	65	120	65	12,5 - 30,0
24	38,1	125	70	85	90	130	75	15,0 - 36,0

TABLE 3

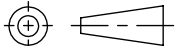
MATERIAL / FINISH	DESCRIPTION
2-Z	NICKEL ALUMINIUM BRONZE - SHOTBLAST

RELEASED FOR PUBLICATION

ALL RIGHTS RESERVED.

THIS DRAWING IS UNPUBLISHED.

© COPYRIGHT 20 BY

DIMENSIONS: MILLIMETERS	DWN: N.HAWKINS 01/03/2021	MATERIAL: SEE P/N BREAKDOWN	FINISH: SEE P/N BREAKDOWN
	CHK: R.STYLES 02/03/2021	STE TE Connectivity	
TOLERANCES UNLESS OTHERWISE SPECIFIED: GENERAL TOL LINEAR ±0,25MM ANGULAR ±1°	APVD: M.PAUL 01/03/2021	PART NUMBER: TAKS SERIES	
	PRODUCT SPEC: -	NAME: HEAT SHRINK BACKSHELL KIT	
APPLICATION SPEC: -	SIZE: A4	CAGE CODE: U5792	DRAWING NO: C-P10505
WEIGHT:	CUSTOMER DRAWING		RESTRICTED TO
	SCALE: 1,2:1	SHEET: 4 OF 4	REV: AB