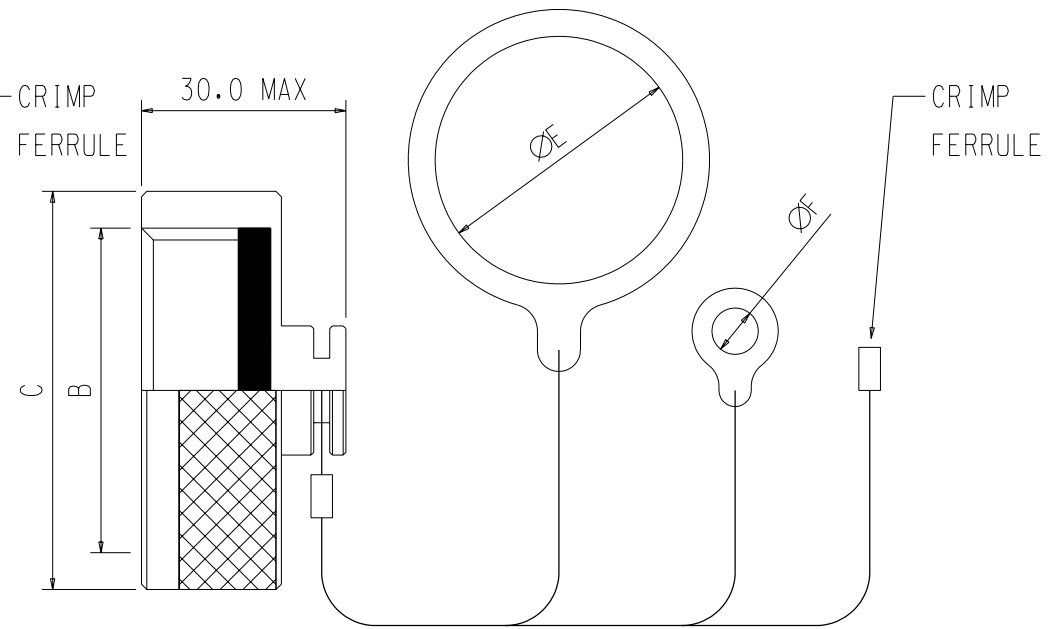


100P605 PLUG COVER




100P604 RECEPTACLE COVER

100P604-17-2-Z-WR6-17

SERIES _____
 SHELL SIZE _____
 MATERIAL (MARINE BRONZE NES833) _____
 PLATING _____
 LANYARD TYPE _____
 LANYARD LENGTH _____
 ATTACHMENT REF. _____
 (00 - 05; EYELET)
 (09 - 25; RING)
 (CF - CRIMP FERRULE)

SHELL SIZE	A MAX	B THREAD	C MAX	D DIA	E DIA
09	21,0	0.625-0.1P-0.3L-TS	21,0	15,1	18,0
11	25,0	0.750-0.1P-0.3L-TS	24,5	18,0	21,4
13	28,0	0.875-0.1P-0.3L-TS	28,0	19,4	25,8
15	31,0	1.000-0.1P-0.3L-TS	30,0	22,6	28,8
17	35,0	1.1875-0.1P-0.3L-TS	34,0	25,8	32,0
19	37,0	1.250-0.1P-0.3L-TS	37,0	28,8	35,0
21	40,0	1.375-0.1P-0.3L-TS	40,0	32,0	38,3
23	43,0	1.500-0.1P-0.3L-TS	43,0	34,1	41,7
25	47,0	1.625-0.1P-0.3L-TS	47,0	40,1	44,6

EYELET	F DIA
00	NA
01	3,2
02	3,7
03	4,3
04	5,3
05	6,4

DUST COVER	SERIES 100P604 & 100P605 TO FIT CONNECTOR MIL-C-38999 SERIES III
	THIS DRAWING IS THE COPYRIGHT AND THE PROPERTY OF POLAMCO LTD. IT MUST NOT BE COPIED, USED FOR MANUFACTURE OR OTHERWISE DISCLOSED WITHOUT WRITTEN CONSENT OF THE COMPANY
 POLAMCO LTD	WESTON LOCK LOWER BRISTOL ROAD BATH BA2 1EP