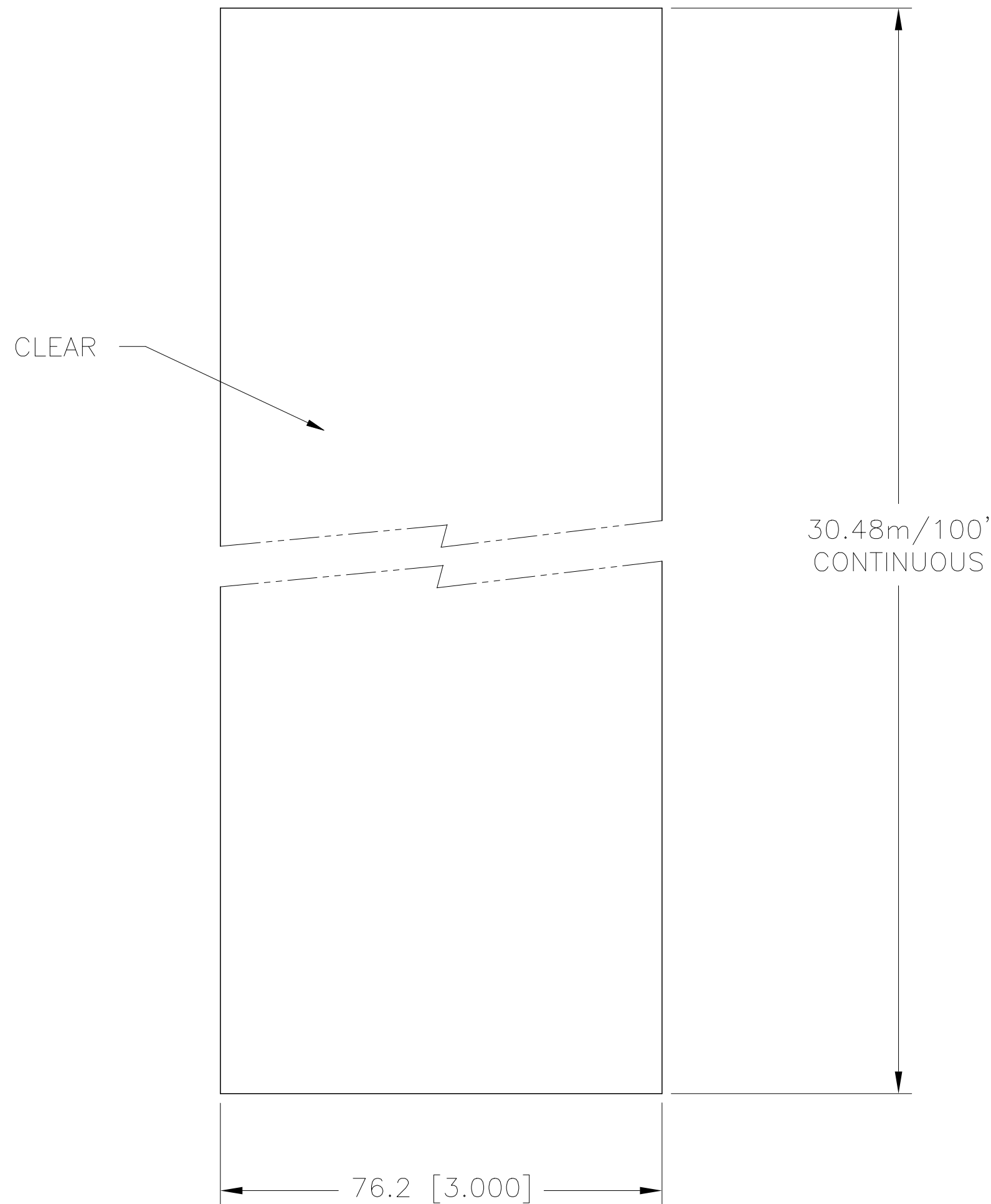
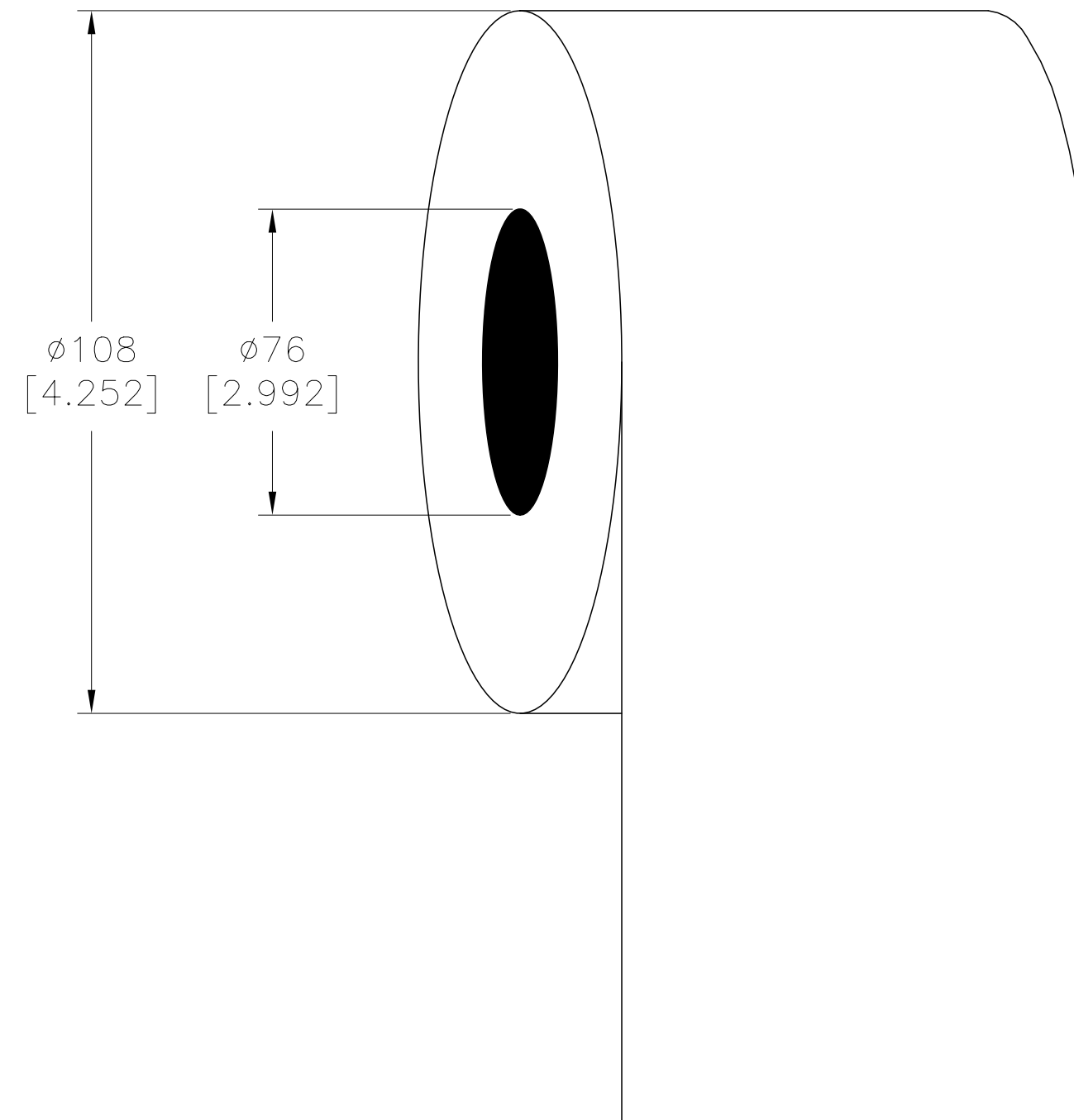


REVISIONS					
P	LTR	DESCRIPTION	DATE	DWN	APVD
	A	NEW DRAWING	31SEP2020	GK	DB

### LABEL AND LINER DESIGN



### PRESENTATION



All dimensions in mm [Inch]

**OUTSIDE WOUND**  
**LABEL ACROSS: 1**  
**PER ROLL QTY: 30.48m / 100 feet**

**TE PN: A32719-000**

TOLERANCES mm [INCH]	
LABEL HEIGHT:	±0.3 [.012]
LABEL WIDTH:	±0.3 [.012]
WEB WIDTH:	±0.8 [.031]
VERTICAL REPEAT:	±0.8 [.031]*
HORIZONTAL REPEAT:	±0.8 [.031]*
PRINT POSITIONING:	±0.8 [.031]*
LEFT MARGIN:	±0.4 [.016]
QUANTITY:	-0 % +2 %
*NON ACCUMULATING	

THIS DRAWING IS A CONTROLLED DOCUMENT.	
DIMENSIONS: mm [INCHES]	TOLERANCES UNLESS OTHERWISE SPECIFIED:
	0 PLC ±
	1 PLC ±
	2 PLC ±
	3 PLC ±
	4 PLC ±
	ANGLES ±
MATERIAL SEE TABLE	FINISH GLOSS

MATERIAL	POLYVINYL FLUORIDE (TEDLAR®)		
ADHESIVE TYPE	PERMANENT ACRYLIC		
LINEAR	WHITE KRAFT		
DWN GOPALAKRISHNA HV 31SEP2020	TE Connectivity		
CHK D.BURGAT 31SEP2020	TE Connectivity		
APVD D.BURGAT 31SEP2020	NAME TEDLAR® LABEL - CLEAR- CONTINUOUS 76.2mm x 30.4m (3inch x 100ft)		
PRODUCT SPEC TTDS-004	APPLICATION SPEC		
WEIGHT 154g	SIZE A2	CAGE CODE FB1U7	DRAWING NO C=NPVF300CL-100
CUSTOMER DRAWING	SCALE NTS	SHEET 1 of 1	RESTRICTED TO A

NPVF300CL-100