

4

3

2

1

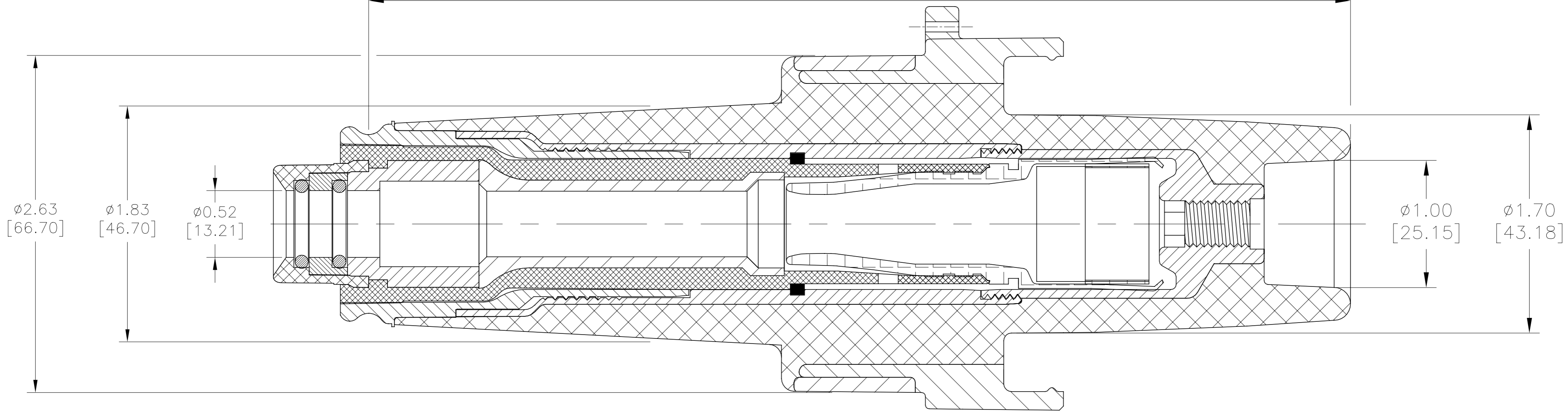
© 2020 TE Connectivity. All Rights Reserved.	
RPN	DESCRIPTION
EE5632-000	ELB-25-200-BI

REVISIONS					
P	LTR	DESCRIPTION	DATE	DWN	APVD
	B	NEW DRAWING	17JUL2020	KR	EDW

7.64 [194.37] REF

D

D

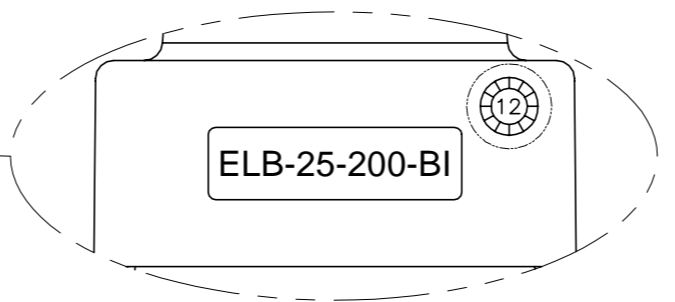
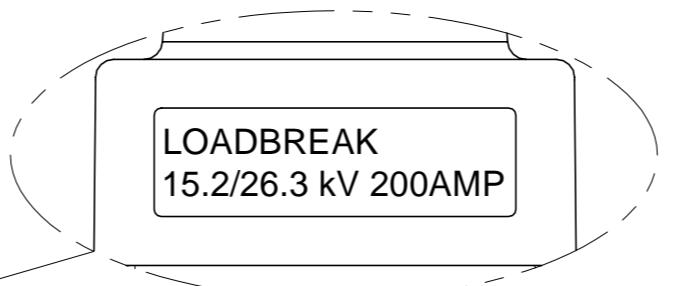
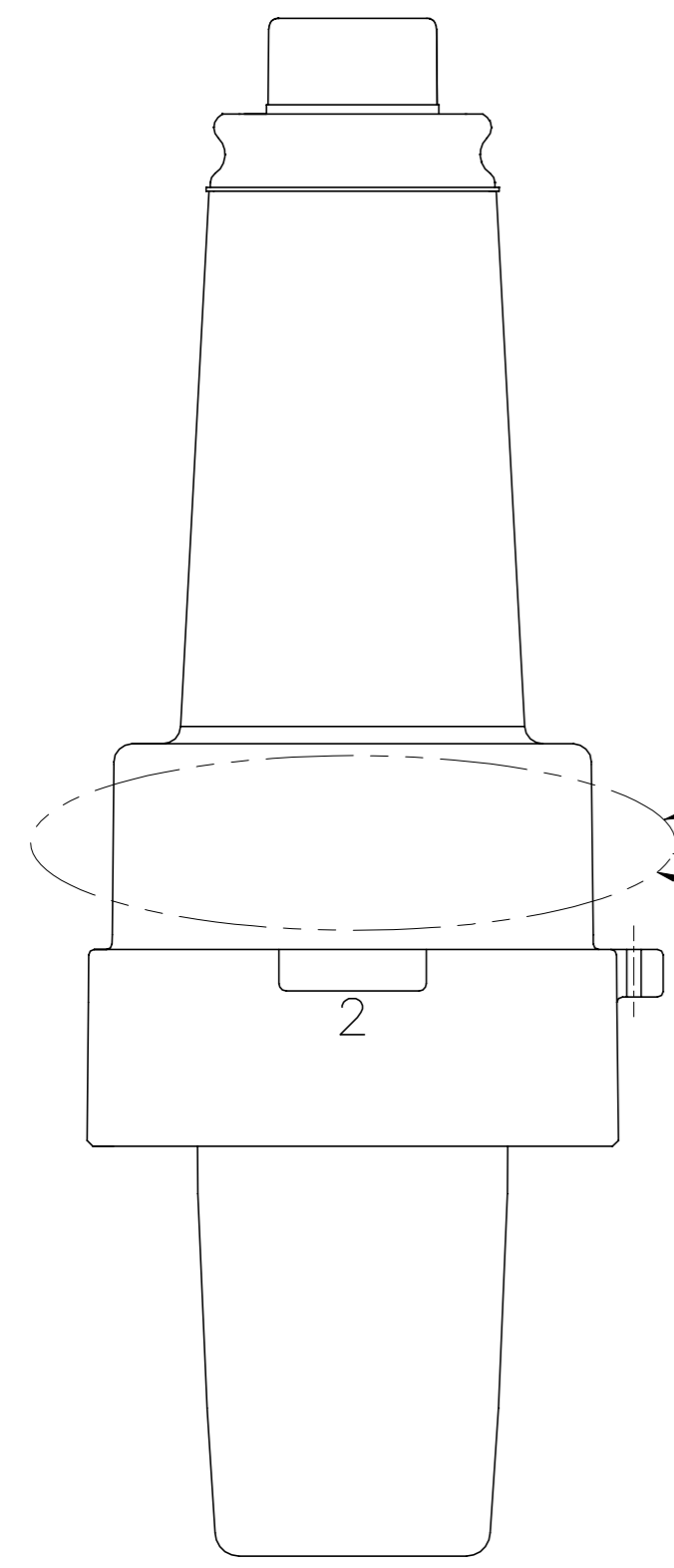


C

C

B

B



A

A

DIMENSIONS:
INCHES [mm]

DWN RAGHAVENDRA K. 17JUL2020	TE TE Connectivity Ltd.			RESTRICTED TO	
CHK WILSON, DAVID E. 17JUL2020				NAME	25kV 200A BUSHING INSERT
APVD YAO, WENTAO 17JUL2020	PRODUCT SPEC	SIZE	CAGE CODE	DRAWING NO	REV
APPLICATION SPEC	—	A2	00779	C=NC-P5150	B
WEIGHT	CUSTOMER DRAWING		SCALE	SHEET	REV
—	—		NTS	1 of 1	B

NC-P5150