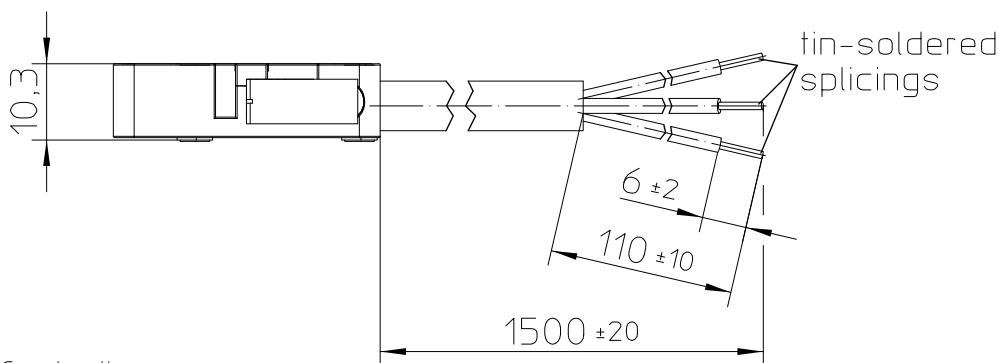
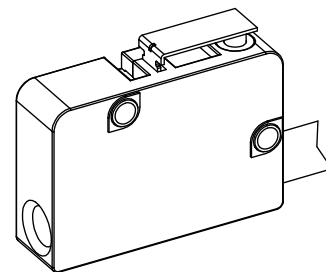


Circuit Diagram

11 (black) — 12 (green)  
— 14 (white)



**Construction**

Housing material .....	Thermoplast GF with UL/CSA approbation
Cover Material .....	Thermoplast GF with UL/CSA approbation
Torque mounting screws .....	max. 1,5 Nm
Connector .....	Cable 3xAWG 18 with UL/CSA approbation
Seal .....	IP 67 IEC 60 529
Protective insulation .....	0 0
Forced Opening .....	in accordance with VDE 0113 and VDE 0660 Part 206

**Mechanical Characteristics**

Pre-travel .....	0,4 to 1,1 mm
Overtravel .....	>1 mm
Movement differential .....	0,05 to 0,3 mm
Operating force .....	3 to 5,1 N
Release force .....	>1 N
Operating force max. ....	<10 N
Current carrying parts .....	Cu-Alloy
Contact material .....	Ag
Life cycle mechanical .....	30 Mio
Frequency .....	200 per minute
Operating speed in direction of plunger .....	max. 0,5 m/s
Temperature range .....	-40°C to +90°C

**Electrical Characteristics**

Nominal voltage .....	250 V AC 24 V DC
Duty rating, continuous .....	10,1 A
Switching capability .....	250 V AC, 13 A Resistive load
.....	250 V AC, 9 A cos. φ = 0,8
.....	250 V AC, 5 A cos. φ = 0,6
.....	250 V AC, 3 A cos. φ = 0,4
.....	24 V DC, 8 A Resistive load
.....	24 V DC, 2 A L/R = 50 ms
Switching capacity min. ....	12 V DC, 10 mA
Short circuit protection iaw EN 60947-5-1 .....	recommended fuse 10 A iaw IEC 60127-2/1, 250 V, F

It is recommended to use gold-plated contacts for lower currents or voltages.

For this drawing we reserve the copyright in accordance with DIN ISO 16016

	Date	Name
Create	09.06.2009	Stock
Edited	26.02.2019	Stock
Check	26.02.2019	Nonne

mm ↔	Scale 1:1
General Tolerances DIN ISO 2768 cL	



Drawing No:	MZW1 741 150 902
NSN:	