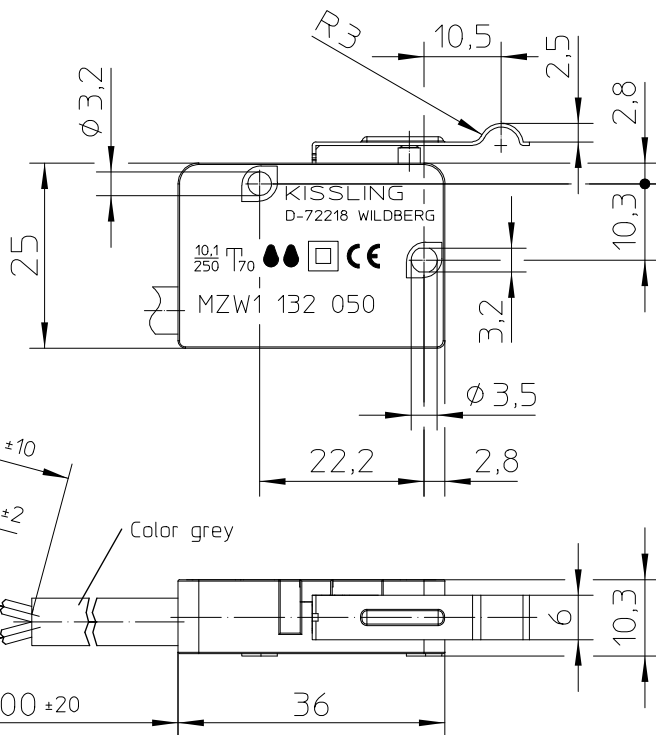
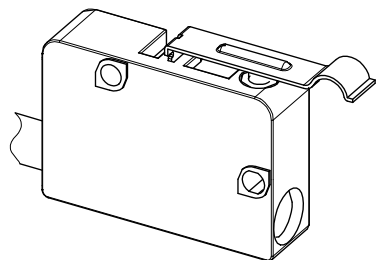


Circuit Diagram

11 (brown) ——— 14 (blue)



tin-soldered splicings

Color grey

For this drawing we reserve the copyright in accordance with DIN ISO 16016

Construction	
Housing material	Thermoplast GF
Cover Material	Thermoplast GF
Connector	Cable Helu JB 500 2x1,5 qmm
Seal	IP 67 IEC 60 529
Protective insulation	0 0

Mechanical Characteristics	
Pre-travel	1,5 to 2,5 mm
Overtravel	>1 mm
Movement differential	0,15 to 0,5 mm
Operating force	1,8 to 3 N
Release force	>1 N
Operating force max.	<10 N
Current carrying parts	Cu-Alloy
Contact material	Ag
Life cycle mechanical	30 Mio
Frequency	200 per minute
Operating speed in direction of plunger	max. 0,5 m/s
Temperature range	-40°C to +70°C

Electrical Characteristics	
Nominal voltage	250 V AC 24 V DC
Duty rating, continuous	10,1 A
Switching capability	250 V AC, 13 A Resistive load
.....	250 V AC, 9 A cos. φ = 0,8
.....	250 V AC, 5 A cos. φ = 0,6
.....	250 V AC, 3 A cos. φ = 0,4
.....	24 V DC, 8 A Resistive load
.....	24 V DC, 2 A L/R = 50 ms
Switching capacity min.	12 V DC, 10 mA

It is recommended to use gold-plated contacts for lower currents or voltages.

	Date	Name	mm	Scale		Drawing No:
Create	09.01.2020	Stock		1:1		MZW1 132 050
Edited	10.01.2020	Stock	General Tolerances			
Check	10.01.2020	Weiro	DIN ISO 2768 cL			NSN: