

4

3

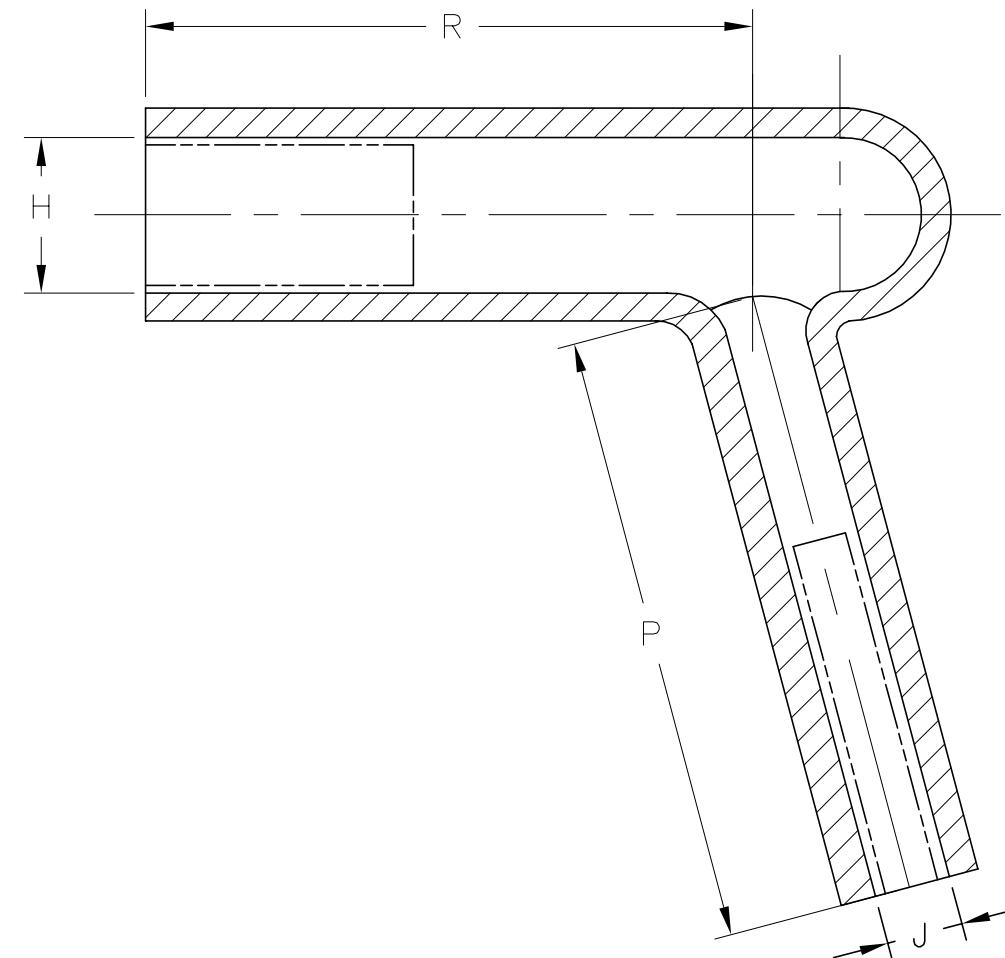
2

1

© - TE Connectivity. All Rights Reserved.

REVISIONS

P	LTR	DESCRIPTION	DATE	DWN	APVD
1		NEW DRAWING	17MAR2021	GSK	AM



Part Description	H		J		P	R	RSRB Number
	min	max	min	max	± 10%	± 10%	
227R046-103/89	70	32	25	10	85	110	RSRB-4042
227R056-103/89	70	32	35	14	115	110	RSRB-4044
227R066-103/89	70	32	50	24	135	110	RSRB-4046

THIS DRAWING IS A CONTROLLED DOCUMENT.		DWN SATHIS KUMAR G 17MAR2021	TE TE Connectivity		
		CHK ANGEL M. 17MAR2021			
DIMENSIONS: mm		TOLERANCES UNLESS OTHERWISE SPECIFIED:		NAME RSRB	
		0 PLC ± -		PRODUCT SPEC	
		1 PLC ± -		APPLICATION SPEC	
MATERIAL		2 PLC ± -		SIZE	
		3 PLC ± -		CAGE CODE	
FINISH		4 PLC ± -		DRAWING NO	
		ANGLES ± -		RESTRICTED TO	
-		-		A3 00779	
		WEIGHT		G= MV_CA_SWG_RSRB_227	
		CUSTOMER DRAWING		SCALE NTS	
				SHEET 1 of 1	
				REV 1	