

4

3

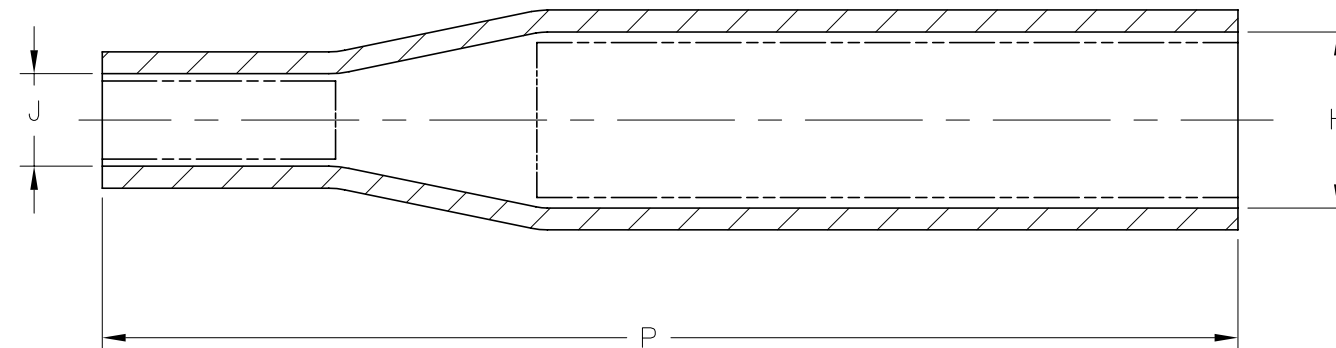
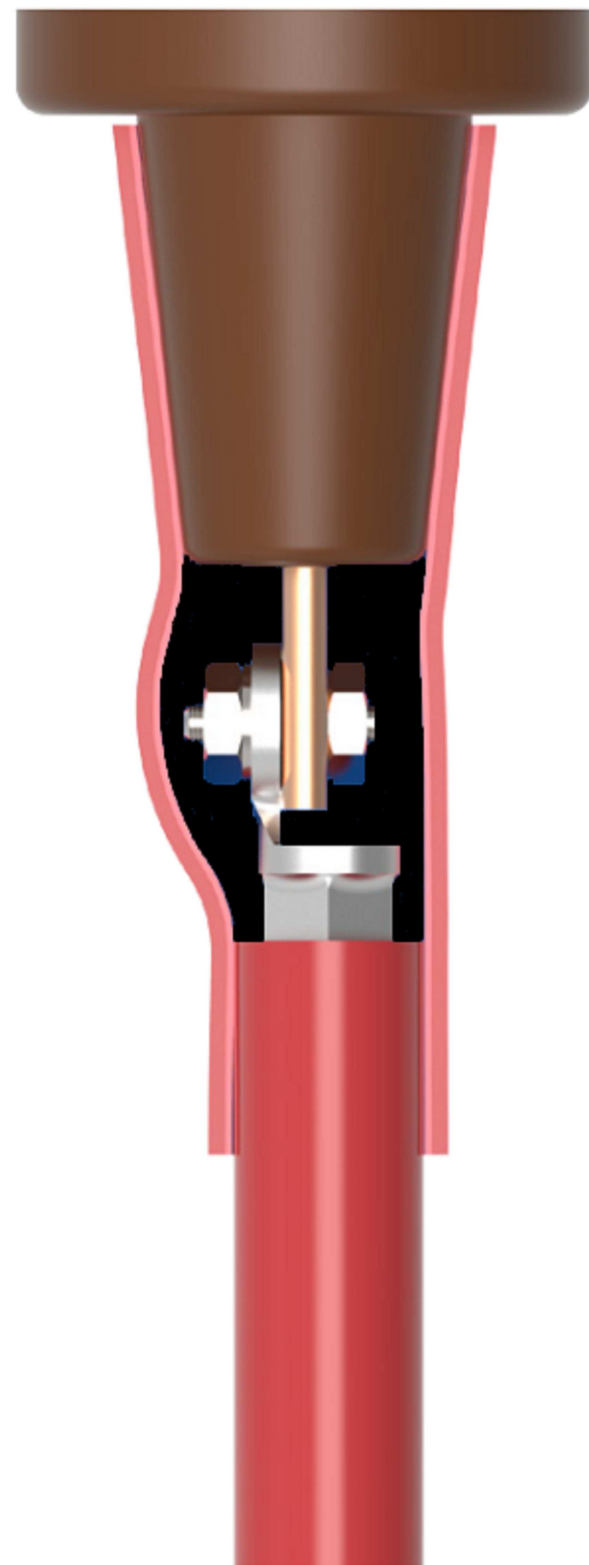
2

1

© - TE Connectivity. All Rights Reserved.

REVISIONS

P	LTR	DESCRIPTION	DATE	DWN	APVD
1		NEW DRAWING	17MAR2021	GSK	AM



Part Description	H		J		P	RSRB Number
	min	max	min	max	± 10%	
207R045-103/89	76	32	25	10	200	RSRB-4022
207R055-103/89	76	32	35	14	250	RSRB-4024
207R065-103/89	76	32	50	24	250	RSRB-4026

THIS DRAWING IS A CONTROLLED DOCUMENT.		DWN 17MAR2021 SATHIS KUMAR G	<b>TE</b> TE Connectivity			
DIMENSIONS: mm		CHK 17MAR2021 ANGEL M.				
TOLERANCES UNLESS OTHERWISE SPECIFIED:		APVD 17MAR2021 JORDI VALENCIA	PRODUCT SPEC			
<ul style="list-style-type: none"> <li>0 PLC ± -</li> <li>1 PLC ± -</li> <li>2 PLC ± -</li> <li>3 PLC ± -</li> <li>4 PLC ± -</li> <li>ANGLES ± -</li> </ul>		APPLICATION SPEC		RESTRICTED TO		
MATERIAL		WEIGHT		SIZE	CAGE CODE	DRAWING NO
-		-		A3	00779	①-MV_CA_SWG_RSRB_207
CUSTOMER DRAWING				SCALE	SHEET	REV
				NTS	1 of 1	1