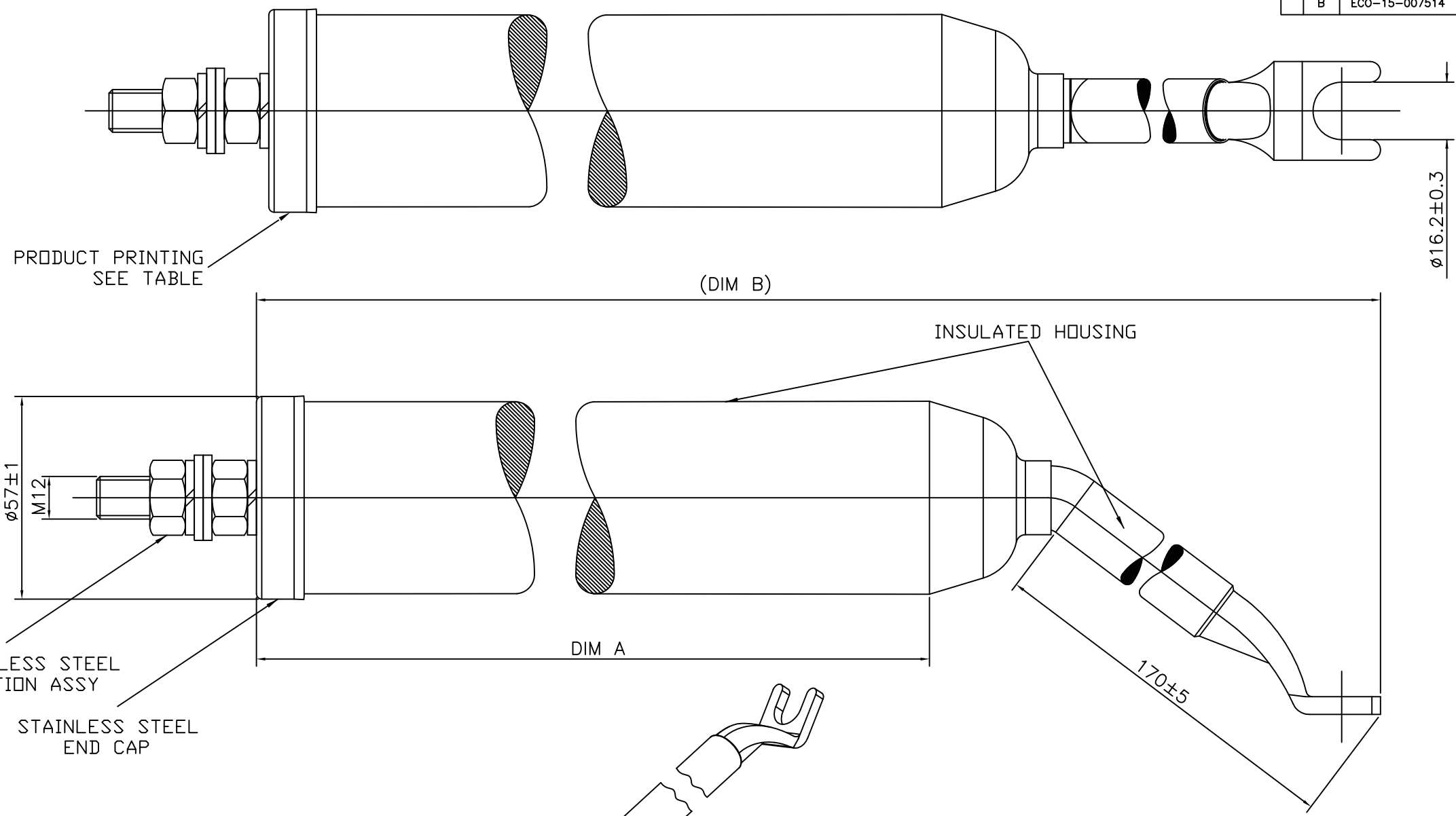


THIS DRAWING IS UNPUBLISHED. RELEASED FOR PUBLICATION  
 © COPYRIGHT - TE CONNECTIVITY IRELAND LTD, ISC, BLOCK 1, UNIVERSITY OF LIMERICK (RTP), CASTLETROY, LIMERICK, IRELAND

LOC		DIST		REVISIONS			
P	LTR	DESCRIPTION	DATE	DWN	APVD		
A		ORIGINAL ISSUE	09/14	JM	-		
B		ECO-15-007514	05/15	JM	-		



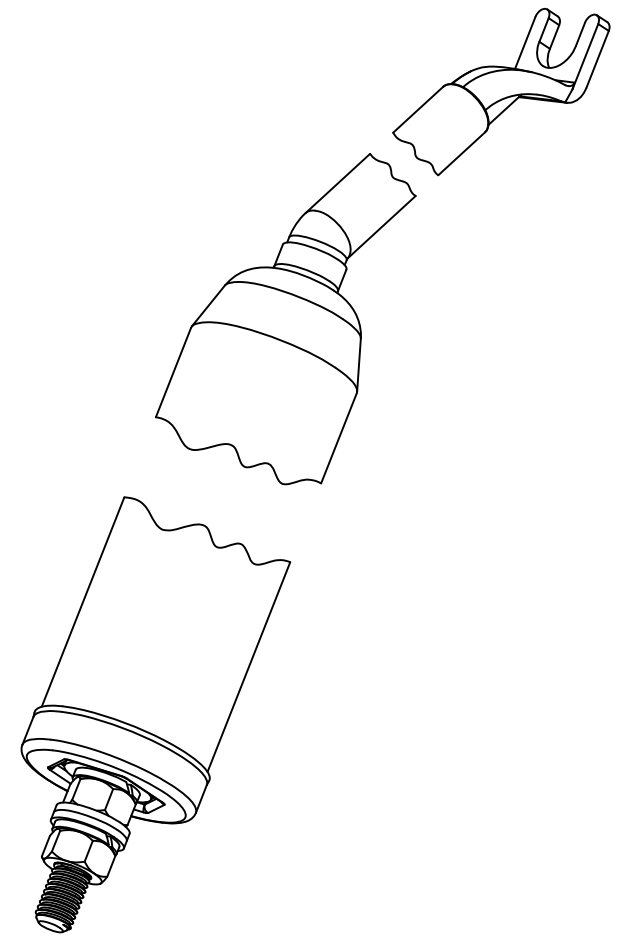
M12 STAINLESS STEEL TERMINATION ASSY

STAINLESS STEEL END CAP

**PRODUCT PRINTING**  
 Raychem PolyGarde 10kA Is-c: - Class 1 IEC 99-4  
 RDA-xx Uc xxkV Ur xxkV YEAR Lot #

REFER TO TECHNICAL DATASHEETS FOR ALL OTHER PRODUCT DETAILS

TCPN	DESCRIPTION	DIM A	+/-	DIM B	Uc (kV)	Ur (kV)
BM6409-000	RDA-04	112	2	307	4	5
116683-000	RDA-06	134	2	329	6	7.5
758645-000	RDA-07	141	2	336	7	8.75
327983-000	RDA-09	163	2	358	9	11.25
254125-000	RDA-10	175	2	370	10	12.5
549103-000	RDA-12	195	3	390	12	15
017685-000	RDA-15	296	3	491	15	18.75
937029-000	RDA-18	326	3	521	18	22.5
211513-000	RDA-21	356	4	551	21	26.25
881859-000	RDA-24	389	4	584	24	30
D10746-000	RDA-25	400	5	595	25	31.25
978831-000	RDA-26	398	5	593	26	32.5



THIS DRAWING IS A CONTROLLED DOCUMENT.		DWN 03/09/2014 J MULLIGAN	<b>STE</b> TE Connectivity	
DIMENSIONS: mm		CHK R ULBRYCH		
TOLERANCES UNLESS OTHERWISE SPECIFIED:		APVD P FitzGERALD	NAME	
0 PLC ± 1		PRODUCT SPEC	MV SURGE ARRESTER	
1 PLC ± 0.1		SEE TABLE	RDA-xx RANGE	
2 PLC ± 0.01		APPLICATION SPEC	RDA-xx	
3 PLC ± 0.001		SIZE	CAGE CODE	DRAWING NO
4 PLC ± 0.0001		A2		C-MV-RDA-00909-C
ANGLES ± 1		RESTRICTED TO		
FINISH		WEIGHT		
MATERIAL ALL FITTINGS M12, A2 SS		CUSTOMER DRAWING	SCALE 1:1	SHEET 1 of 1