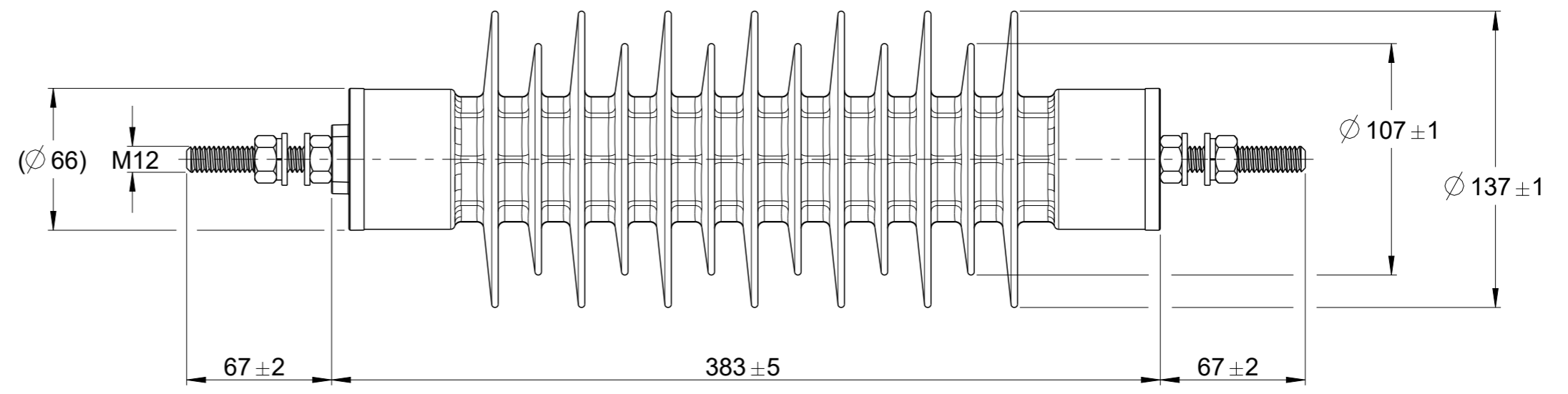
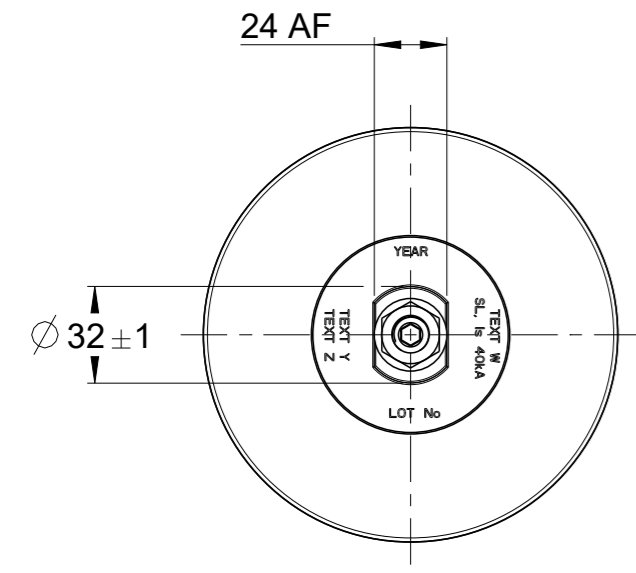


© 2022 TE Connectivity. All Rights Reserved.

REVISIONS

P	LTR	DESCRIPTION	DATE	DWN	APVD
A		INITIAL RELEASE	10NOV2022	BJ	RU



NOTES:

- 1- REFER TO TECHNICAL DATASHEETS FOR ALL OTHER PRODUCT DETAILS.
- 2- HOUSING PRINT:

Bowthorpe
MO Arrester
In 10kA
50/60 Hz
IEC 60099-4

3- ALL DIMENSIONS NOMINAL UNLESS SPECIFIED.

No. SHEDS	CREEPAGE LENGTH (mm)	FLASHOVER DISTANCE (mm)	PRODUCT (TEXT W)	Uc (TEXT Y)	Ur (TEXT Z)
13	1125	378	OCP2-36M	Uc 36 kV	Ur 45 kV

CG9347-000
TCPN

THIS DRAWING IS A CONTROLLED DOCUMENT.		DWN B.JOEL	09NOV2022		
		CHK C.FRY	10NOV2022		
		APVD R.ULBRYCH	10NOV2022		
		PRODUCT SPEC			
		SEE DATASHEET		NAME MV SURGE ARRESTER BOW-OCP2-36M-NLL	
		APPLICATION SPEC		RESTRICTED TO	
		-		-	
MATERIAL ALL FITTINGS M12, A2 SS		FINISH -		SIZE A3	CAGE CODE 00779
		CUSTOMER DRAWING		DRAWING NO CG-MV-OCP2-01550-C	
		SCALE NTS		SHEET 1 OF 1	REV A